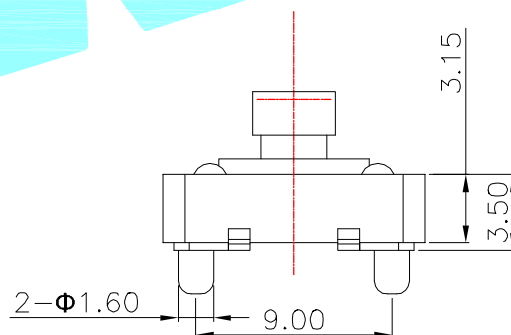
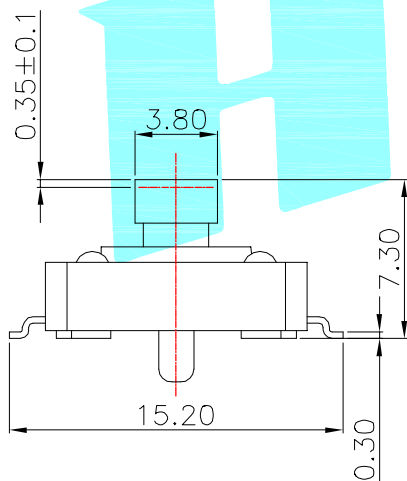


Circuit Diagram

PCB Layout (Pattern side)

Typical Specifications :
 1. Rating : DC 12V 50mA
 2. Life:100,000 Cycles Min.



NO.2	
PART NO	vigor
1	90±30
2	130±30
3	180±30
4	250±30
5	350±50

NO.3	
PART NO	MATERIAL/QTY
S	SUS/1PC
C	C5210/1PC
D	SUS/2PCS
F	C5210/2PCS

NO.4-NO.5	
PART NO	NOTE
01~99	SERIAL NUMBER

ITEM	PART NAME	TER'NO.	QTY.	MATERIAL	FINISHING	REMARK
⑤	Terminal	—	4	Brass(0.3t)	Plating silver	—
④	Contact	—	1	F.Ag/C5210	—	—
③	Base	—	1	Nylon	Black	UL94V-0
②	Cover	—	1	SPCC	Plating Sn	—
①	Keystoke	—	1	Nylon	Black	UL94V-0

APPROVALS		DATE	HROELECTRONICS CO.,LTD		
DRAWN	xu qi feng	2014.11.26	ELECTRONICS CO.,LTD		
CHECKED			TITLE:	TACT SWITCHS	
APPROVALS			PART NO.	K2-1103SA-A□□W-□□	
TOLERANCES ARE	30~以上 ±0.30	ANGLE	UNIT: mm	SCALE: 1:1	PROJ:
	10~30 ±0.20		DRAWING NO.		SHEET 1 OF 1
	5~10 ±0.15	±2'			
	~ 5 ±0.10				

ECN NO.	REV.	DATE.	DESCRIPTION.	CHANGE.	CHECK.	APPRO.
	A		NEW			