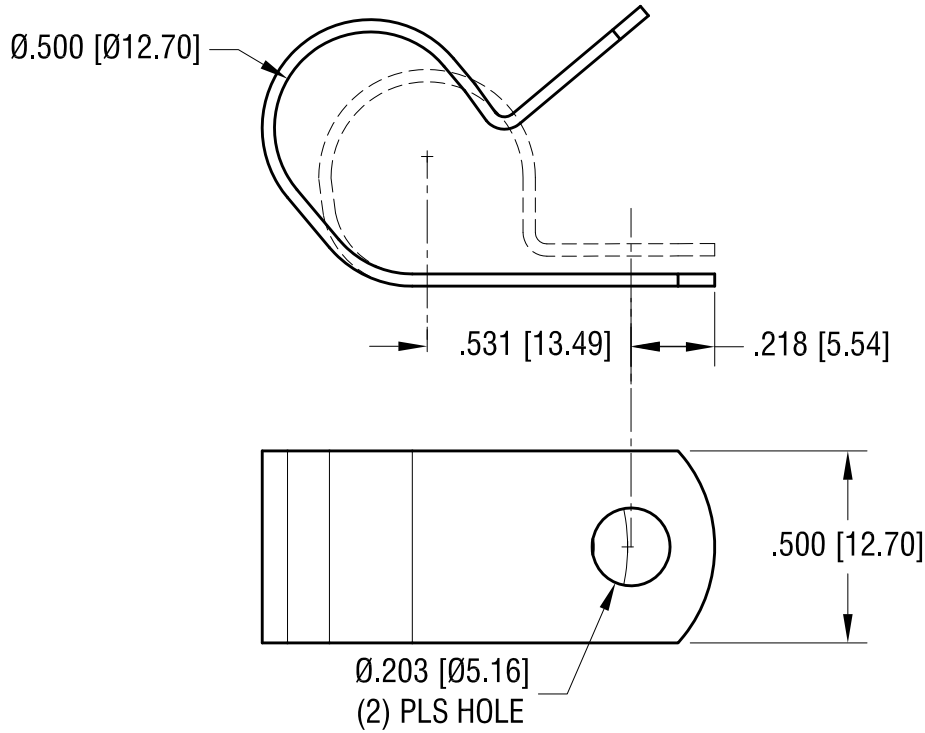
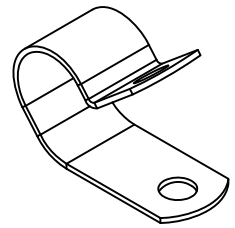


THIS DOCUMENT IS THE PROPERTY OF
KEYSTONE ELECTRONICS CORP. AND
SHALL NOT BE REPRODUCED, DISTRIBUTED
OR USED AS A BASIS FOR MANUFACTURE
WITHOUT PRIOR WRITTEN PERMISSION
FROM KEYSTONE ELECTRONICS CORP.

ACTUAL SIZE



KEYSTONE ELECTRONICS CORP.

www.keyelco.com • NEW HYDE PARK NY 11040 • Tel (516)328-7500

PART NAME		STEEL CABLE CLAMP	
MATERIAL		.032 [0.81] TH'K STEEL	
FINISH	ZINC PLATE CLEAR CHROMATE	DRN BY	BOONE
		DATE	1.8.99
		APP'D	RH
		SCALE	2X
TOLERANCES	INCH [MM]	CODE	DWG NO.
DECIMAL	± .010 [± 0.25]	C	8105
ANGULAR	± 1°		
UNLESS OTHERWISE SPECIFIED			

10.18.06 | CHANGE AS PER ECN 06-069

A

DATE | DESCRIPTION | REV.