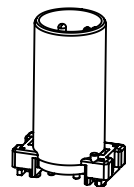
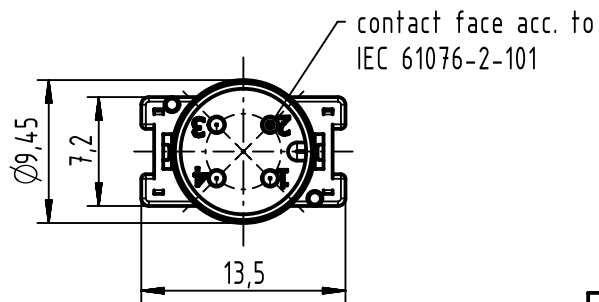
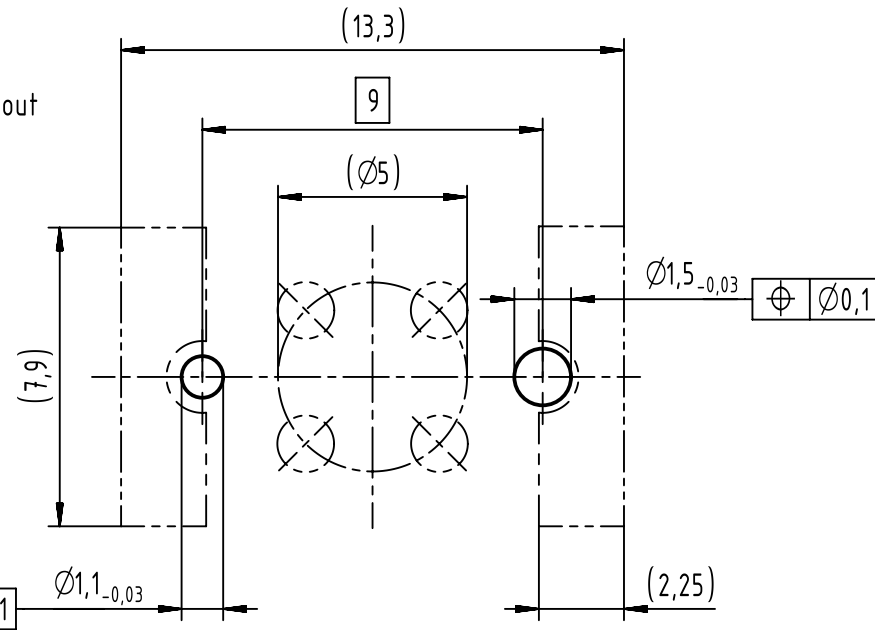



A (5:1)  
recommended PCB layout



- 75 pcs. Tape on Reel package

	All rights reserved Department EC PD - DE	All Dimensions in mm Original Size DIN A4		Scale 2:1	Free size tol.		Ref.	
		HARTING Electronics GmbH D-32339 Espelkamp		Created by HELLMANN	Inspected by EISFELD	Standardisation HOFFMANN	Date 2016-05-31	State Final Release
Title HARTING M12 PCB recpt str 4-pole A-cod male unshielded							Doc-Key / ECM-Nr. 100618491/UGD/002/A 500000103181	
Type TB				Number 21033111416			Rev. A	Page 1/1