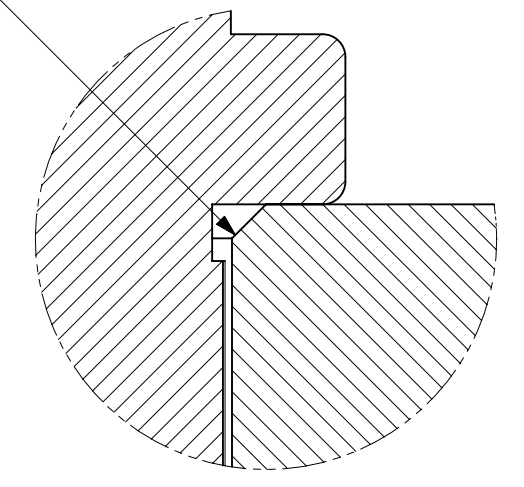
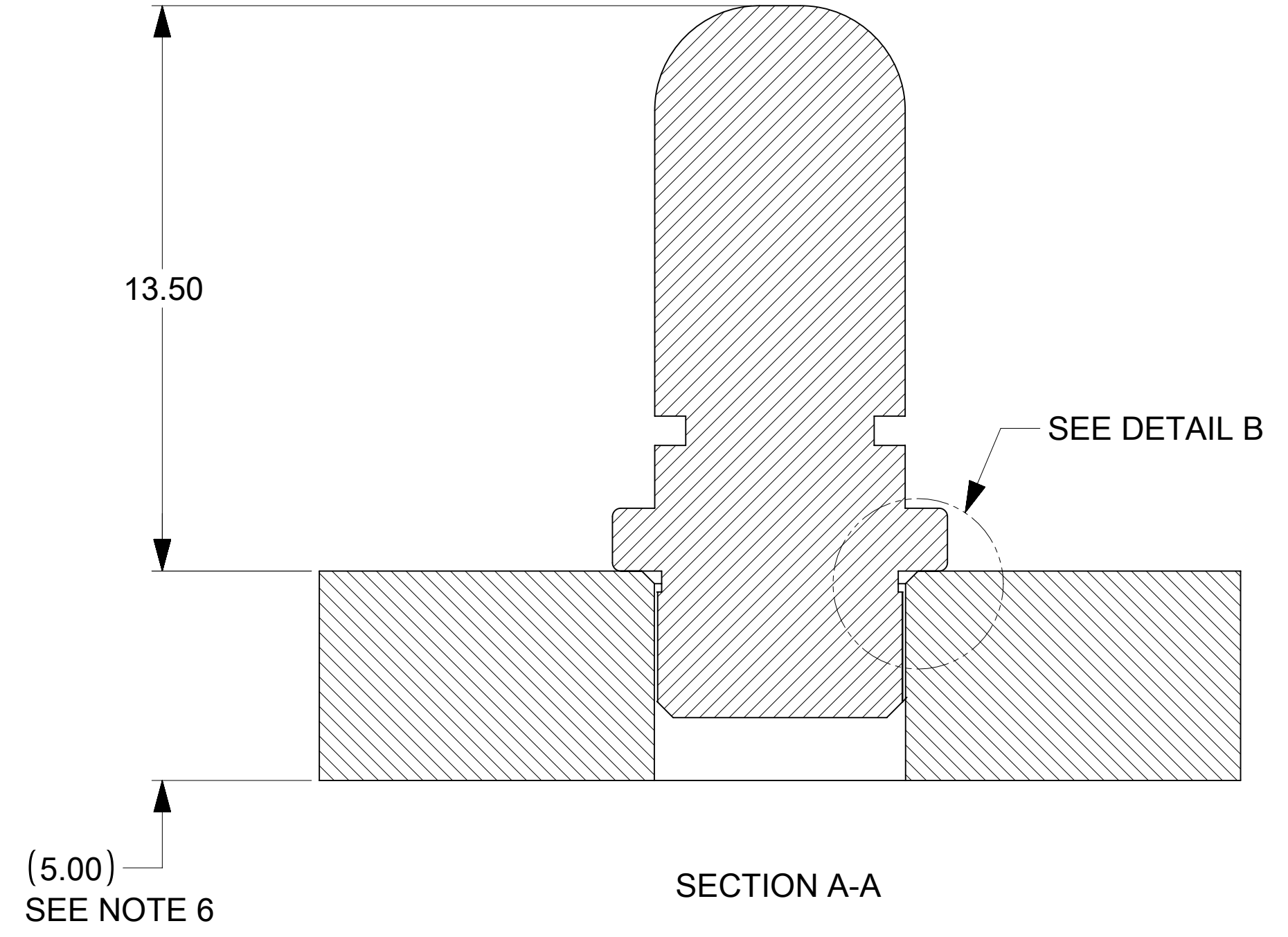
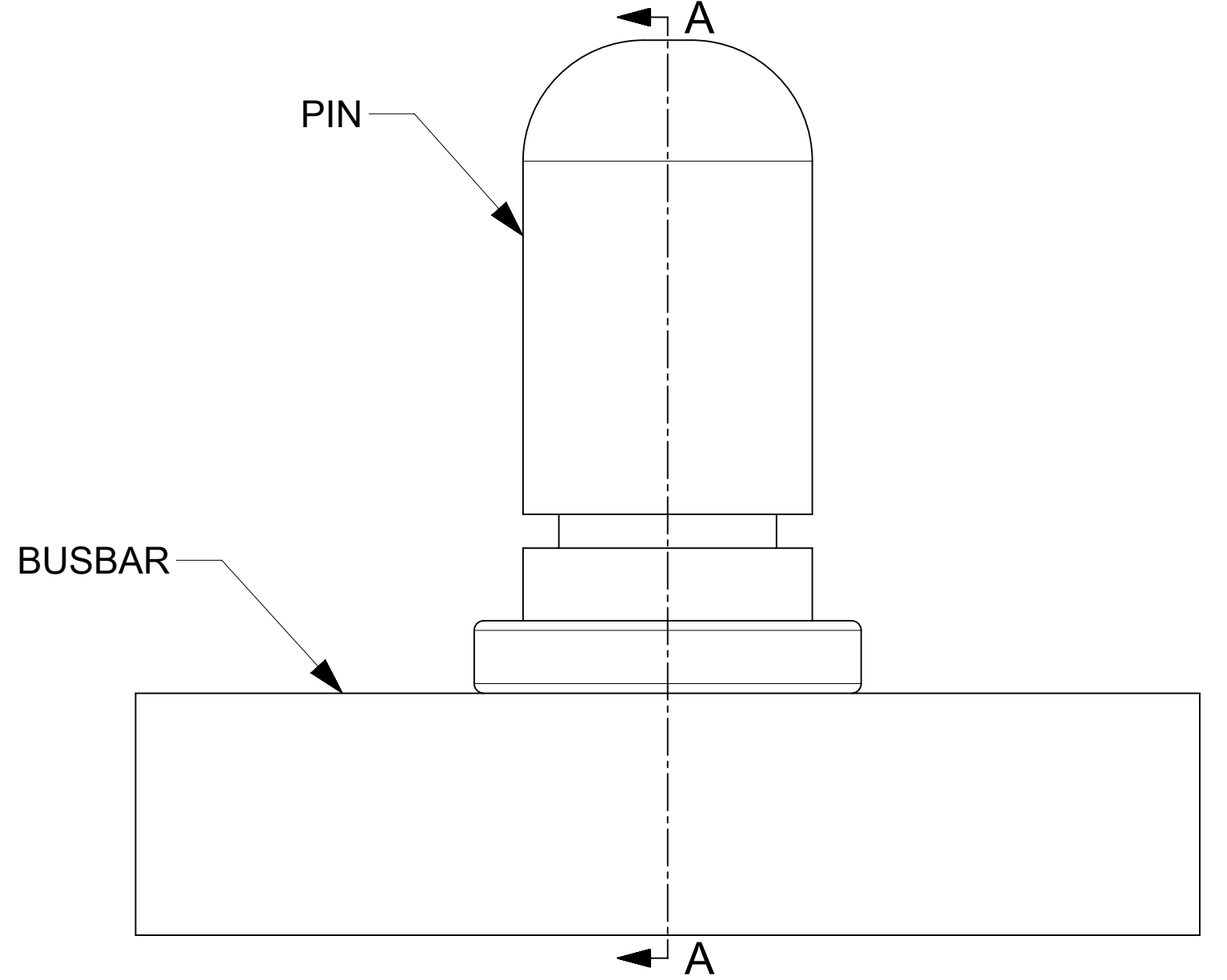
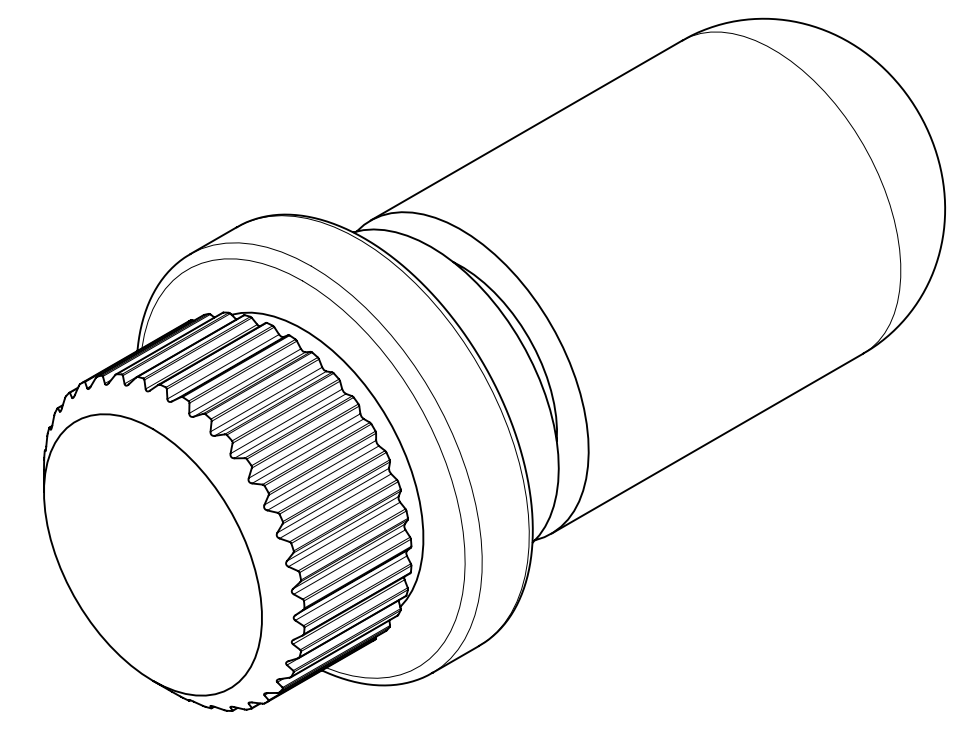
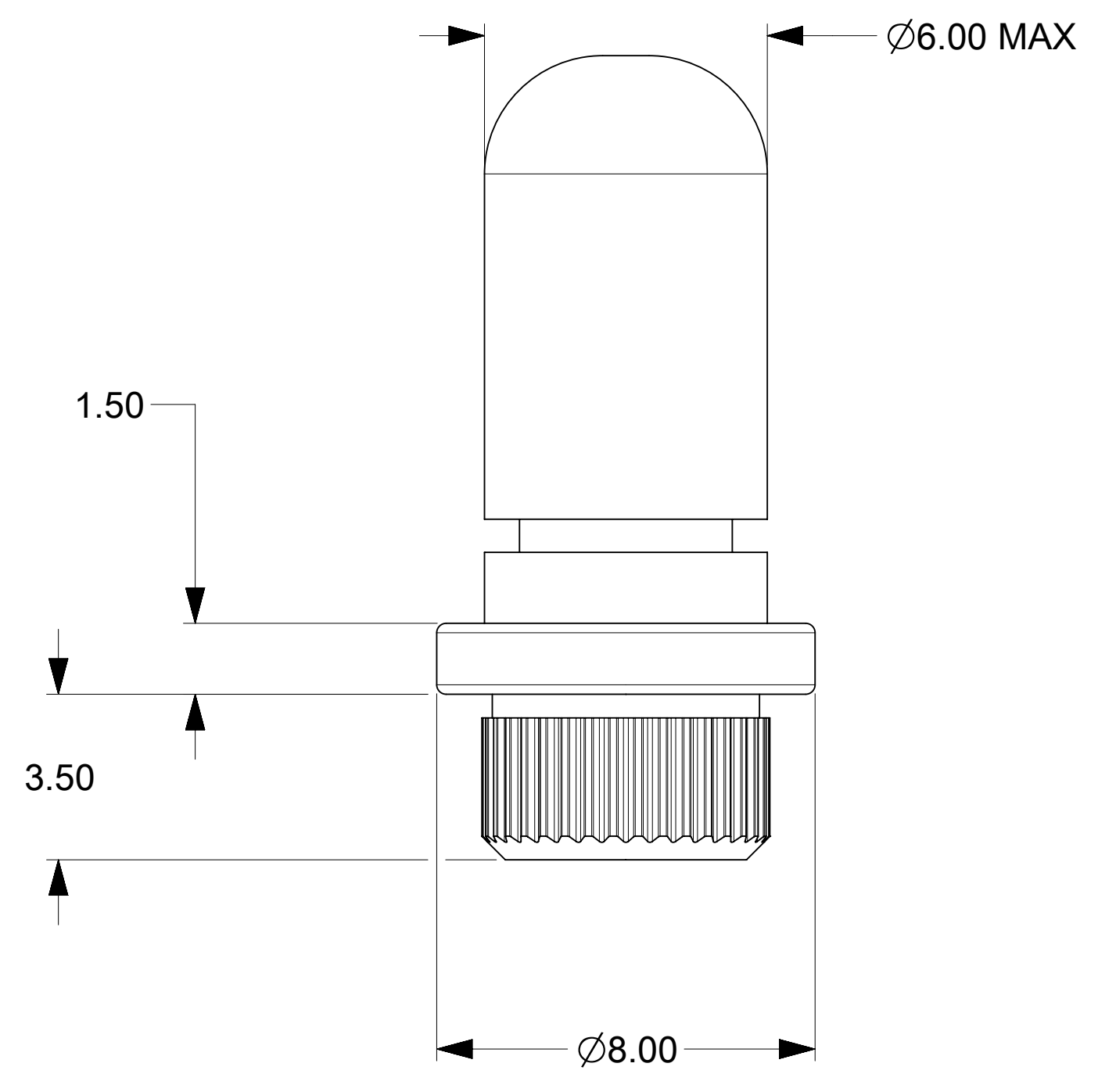


C 0.30
ON BUSBAR HOLE

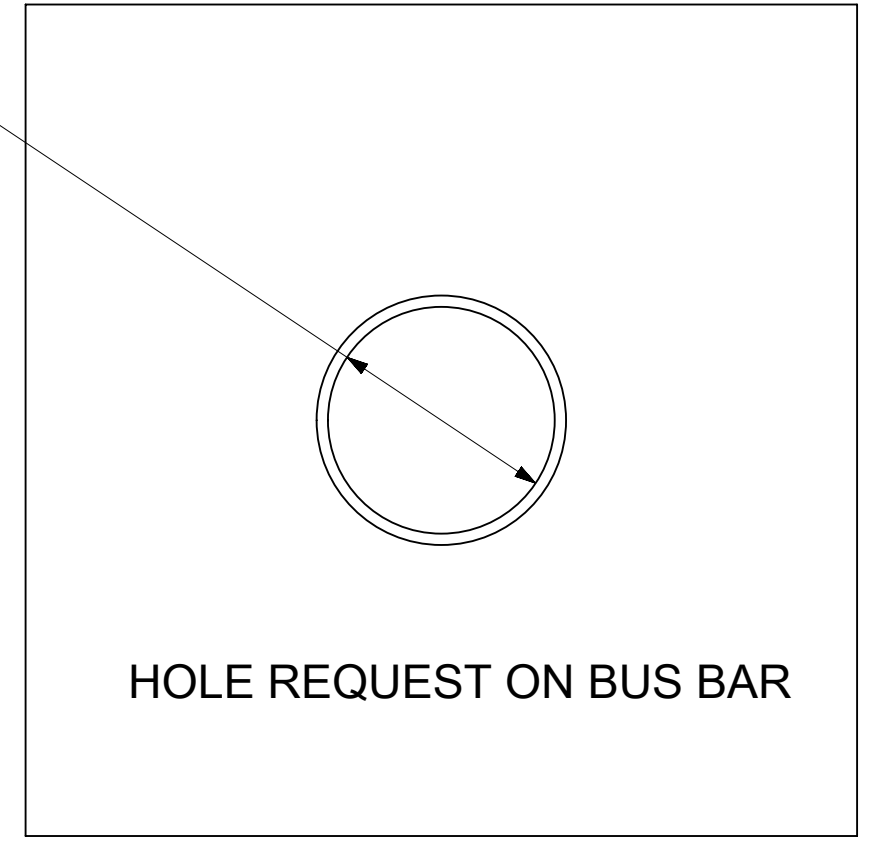


DETAIL B
SCALE 15:1



SECTION A-A

Ø6.00 ±0.02
(USE REAMER)



HOLE REQUEST ON BUS BAR

BUS BAR LAYOUT: COMPONENT SIDE

NOTES:

1. MATERIALS:
BASE METAL: HIGH CONDUCTIVE COPPER ALLOY
PLATING ON BODY: 3.18 MICRON MIN SILVER OVER 1.27 MICRON MIN NICKEL
2. SILVER COMPONENTS WILL BE SUPPLIED TARNISH FREE
BUT MAY TARNISH OVER TIME.
3. MINIMUM RECOMMENDED BUSBAR THICKNESS IS 1.5MM
4. PRODUCT SPECIFICATION: 2178840001-PS.
5. APPLICATION SPECIFICATION: 2178840001-AS
6. PACKAGING SPECIFICATION: BULK PACKAGING AS PER 2183350001-PK

| | | | | | | | | | |
|-----------------------------------------------------------------------------------------------------------------------------------------------|--------|-----------------------------------|---------|--------|-----------------------------------------------------------------------------------|--|--|--|--|
| THIS DRAWING CONTAINS INFORMATION THAT IS PROPRIETARY TO MOLEX ELECTRONIC TECHNOLOGIES, LLC AND SHOULD NOT BE USED WITHOUT WRITTEN PERMISSION | | | | | | | | | |
| DIMENSION UNITS | SCALE | CURRENT REV DESC: PRODUCT RELEASE | | | | | | | |
| mm | 5:1 | | | | | | | | |
| GENERAL TOLERANCES (UNLESS SPECIFIED) | | EC NO: 741091 | | | 6MM SW1 PRESS-FIT LOCKING PIN | | | | |
| ANGULAR TOL | ± 0.5° | DRWN: SREENA1 2022/11/24 | | | | | | | |
| 4 PLACES | ± | CHK'D: GSHARMA 2023/03/06 | | | PRODUCT CUSTOMER DRAWING | | | | |
| 3 PLACES | ± | APPR: HTHYAGARAJ 2023/03/06 | | | | | | | |
| 2 PLACES | ± 0.15 | INITIAL REVISION: | | | DOCUMENT NUMBER: 2183350001 DOC TYPE: PSD DOC PART: 000 REVISION: B2 | | | | |
| 1 PLACE | ± 0.25 | DRWN: MKP 2021/03/30 | | | | | | | |
| 0 PLACES | ± | APPR: NCSR 2021/03/31 | | | MATERIAL NUMBER: 2183350001 CUSTOMER: GENERAL MARKET SHEET NUMBER: 1 OF 1 | | | | |
| DRAFT WHERE APPLICABLE MUST REMAIN WITHIN DIMENSIONS | | THIRD ANGLE PROJECTION | DRAWING | SERIES | | | | | |
| | | | D-SIZE | 218335 | | | | | |