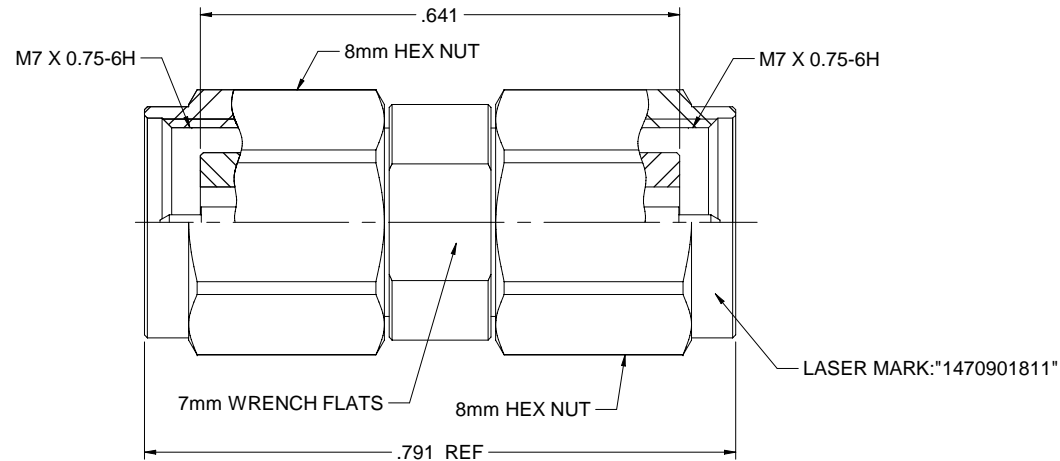


MODEL NO.	PACKAGING
147-0901-811	ONE PCS PER BAG

REV	ECO	DATE
001	ECO-18-0032	11/28/2017
002	ECO-18-0033	08/21/2018



NOTES: UNLESS OTHERWISE SPECIFIED

1. MATERIAL & FINISH:

- 1.1 BODY & SHELL: PASSIVATED STAINLESS STEEL
- 1.2 CONTACT PIN : GOLD PLATED BERYLLIUM COPPER
- 1.3 INSULATOR: ULTEM 1000 AMBER
- 1.4 C RING: BERYLLIUM COPPER
- 1.5 GASKET: SILICONE RED

2. ELECTRICAL:

- 2.1 IMPEDANCE: 50 OHMS
- 2.2 FREQUENCY RANGE: DC-50 GHz
- 2.3 VOLTAGE STANDING WAVE RATIO: 1.2 MAX
- 2.4 DIELECTRIC WITHSTANDING VOLTAGE: 500 VRMS MIN
- 2.5 CONTACT RESISTANCE:
 - 2.5.1 CENTER CONTACT: 4 MILLIOHM MAX
 - 2.5.2 OUTER CONTACT: 2.5 MILLIOHM MAX
- 2.6 INSULATOR RESISTANCE: 5000 MEGOHM MIN
- 2.7 INSERTION LOSS: 0.05 X./F(GHZ) DB MAX

3. MECHANICAL:

- 3.1 ENGAGEMENT FORCE/DISENGAGEMENT FORCE: 0.23NM MAX
- 3.2 COUPLING PROOF TORQUE: 1.65 NM MIN
- 3.3 COUPLING NUT RETENTION: 267 N MIN
- 3.4 CONTACT RETENTION: 20N MIN
- 3.5 DURABILITY (MATING): 500 CYCLES MIN

4. ENVIRONMENT:

- 4.1 THERMAL SHOCK: MIL-STD-202, METHOD 107, CONDITION B.
- 4.2 OPERATING TEMPERATURE: -65 TO 165°C
- 4.3 SHOCK: MIL-STD-202, METHOD 213, CONDITION I
- 4.4 VIBRATION: MIL-STD-202, METHOD 204, CONDITION D
- 4.5 MOISTURE RESISTANCE: MIL-STD-202, METHOD 106

Model No: 147-0901-811		Johnson	
Rohs2 201165EU	201165EU	Title: ADAPTER ASSEMBLY,PLUG TO PLUG,2.4mm	Rev: 002
Drawn By: Betty.Yu	Date: 08/21/2018	Drawing No: 147-0901-811	State: C
Scale: NONE	DO NOT SCALE DRAWING	Sheet: 1 of 1	Rev: 002