

NOTES: (H)

- DRAWING TO BE INTERPRETED IN ACCORDANCE WITH THE CURRENT REVISION OF ASME Y14.5M.
- THIS PART/PRODUCT IS TO BE MANUFACTURED WITH THE APPLICABLE REGULATIONS OF EC DIRECTIVES 2002/95/EC AND 2002/96/EC, RESTRICTION OF THE USE OF HAZARDOUS SUBSTANCES IN ELECTRICAL AND ELECTRONIC EQUIPMENT (RoHS) AND WASTE ELECTRICAL AND ELECTRONIC EQUIPMENT (WEEE).
- .375-32 UNEF-2A THREAD TO WITHIN .062 OF BODY.
- 20 AWG LEADS (2) PER MIL-W-22759/7-20-9 MARKED "COM" AND "NO".
- HEAT SHRINK TUBING TO SEAL WIRE EXIT.
- KEYWAY .032 DEEP, .062 WIDE.

SWITCH CHARACTERISTICS:

ELECTRICAL:

LOAD	SEA LEVEL - 28 VDC		50,000 FEET - 28 VDC	
	SINGLE CIRCUIT NO OR NC	2 CIRCUIT PER POLE	SINGLE CIRCUIT NO OR NC	2 CIRCUIT PER POLE
RESISTIVE	10 AMPS	10 AMPS	10 AMPS	10 AMPS
INDUCTIVE	7.5 AMPS	5 AMPS	3.5 AMPS	2 AMPS
MOTOR	4 AMPS	2 AMPS	----	----
MIN. CURRENT	.04 AMPS	.04 AMPS	.04 AMPS	.04 AMPS
DWV	1000 VRMS		500 VRMS	

ELECTRICAL LIFE: 50,000 CYCLES

MECHANICAL:

MECHANICAL LIFE: 50,000 CYCLES  
 PRETRAVEL: .125 MAX.  
 OVERTRAVEL: .025 MIN.  
 MOVEMENT DIFFERENTIAL: .060 MAX.  
 OPERATE FORCE: 2.5 LBS. MAX.  
 RELEASE FORCE: 10 OZ. MIN.  
 STRENGTH OF ACTUATOR: 10 LBS.

PHYSICAL:

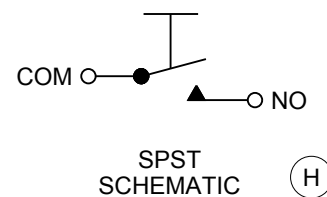
TEMPERATURE RANGE: -55° C TO +85° C  
 ENCLOSURE DESIGN: 3 (WATERTIGHT) PER MIL-PRF-8805  
 PLUNGER: CORROSION RESISTANT STEEL

MARKING:

OTTO 21649  
 P6-340005  
 MJH1057-1  
 DATE CODE (YYWW)

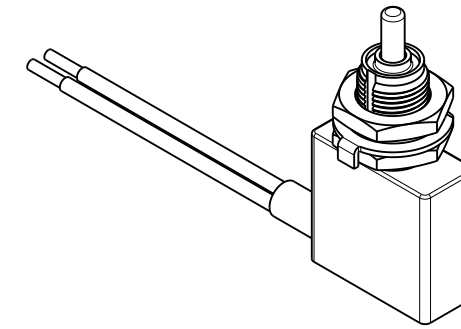
HARDWARE:

M25082-20 HEXNUT  
 M35333-134 LOCKWASHER  
 KEYWAY WASHER

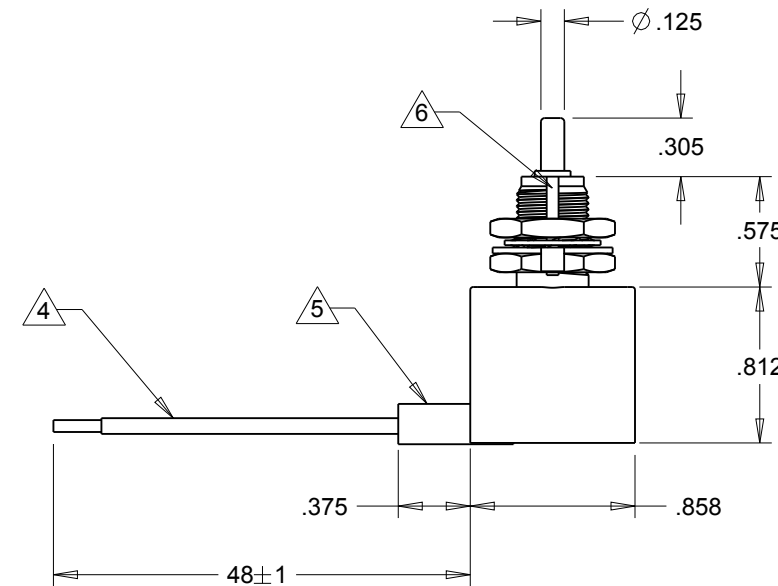
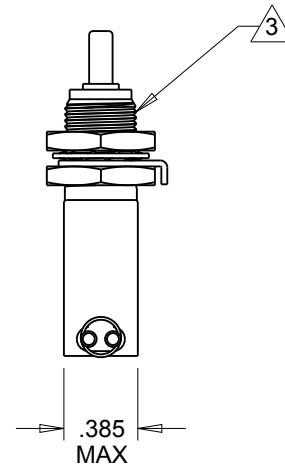


P6-340005

REV	OCN #	DATE	APR
A	003573	4 FEB 00	TO
B	009497	07 JUL 01	JJP
C	010035	20 SEP 01	JJP
D	010154	28 SEP 01	TED
E	010639	07 NOV 01	TED
F	041624	19 FEB 08	KKK
G	050849	21 AUG 09	KKK
H	061767	15 JUN 11	KKK



SCALE 1:1



CONTROLLED DRAWING

THIS ITEM IS NOT INTENDED TO BE IN COMPLIANCE WITH THE REQUIREMENTS OF WEEE AND RoHS

UNLESS OTHERWISE SPECIFIED:  
 DIMENSIONS ARE IN INCHES.  
 TOLERANCES:  
 .XX ±.03  
 .XXX ±.010  
 ANGLES ±2°  
 DO NOT SCALE

MANUFACTURING  
 SPC

**OTTO**  
 CARPENTERSVILLE, ILLINOIS USA

THIS DOCUMENT IS THE CONFIDENTIAL PROPERTY OF OTTO ENGINEERING, INC.. IT IS NOT TO BE USED IN ANY WAY DETRIMENTAL TO THE INTERESTS OF OTTO ENGINEERING, INC..

DESCRIPTION

P6-34, SUBMINIATURE SWITCH,  
 CESSNA, DASH 1 CONFIGURATION

DRWN. BDS	SIZE	FSCM NO	DRAWING NO.	REV.
CHKD. KKK	B	21649	P6-340005	H
APPD. AH				
WT.	THIRD ANGLE PROJECTION	Scale 1:1	Sheet 1 OF 1	

# Mouser Electronics

Authorized Distributor

Click to View Pricing, Inventory, Delivery & Lifecycle Information:

[OTTO:](#)

[P6-340005](#)