

RF-12P2S8AA200 - Device connector front mounting



1607268

<https://www.phoenixcontact.com/us/products/1607268>

Please be informed that the data shown in this PDF document is generated from our online catalog. Please find the complete data in the user documentation. Our general terms of use for downloads are valid.



Device connector front mounting, angled fixed, Screw locking mechanism, M23, number of positions: 12, contact connection type: Pin, Axial O-ring, 4x Ø 3.2, shielded: yes, flange dimensions: 26 mm x 26 mm, degree of protection: IP67, number of positions: 12, connection method: Crimp connection, series: RF, Alternative product in accordance with RoHS II without Exemption 6c (Pb < 0.1 %) item no.: 1242258

Commercial data

Item number	1607268
Packing unit	10 pc
Minimum order quantity	10 pc
Note	Made to order (non-returnable)
Sales key	AB31
Product key	ABRAGM
GTIN	4046356268332
Weight per piece (including packing)	140.19 g
Weight per piece (excluding packing)	102.89 g
Customs tariff number	85366990
Country of origin	DE

RF-12P2S8AA200 - Device connector front mounting



1607268

<https://www.phoenixcontact.com/us/products/1607268>

Technical data

Notes

Order information:	Order crimp contacts Ø 1 mm separately
--------------------	--

Mounting

Mounting type	Front mounting
Mounting	4x Ø 3.2

Product properties

Product type	Circular connectors (device side)
Series	RF
Application	Signal Signal
Number of positions	12
Connection profile	12
Shielded	yes
Coding	S
Thread type	M23

Dimensions

Housing

Flange dimensions	26 mm x 26 mm
-------------------	---------------

Material specifications

Seal material	FPM
Housing material	Metal
Housing material	Turned parts: copper zinc alloy (CuZn), die-cast parts: zinc (GD-Zn)
Insulator material	PA 6.6
Gasket and O-ring material	FPM

Electrical properties

Contact

Contact diameter	1 mm
Max. current	8 A
Nominal voltage U_N	48 V AC 74 V DC
Overvoltage category	III
Degree of pollution	3
Rated surge voltage	1.5 kV

Connection data

Conductor connection

RF-12P2S8AA200 - Device connector front mounting



1607268

<https://www.phoenixcontact.com/us/products/1607268>

Connection method	Crimp connection
Contact connection type	Pin

Connector

Type	angled fixed
Direction of rotation	Counter direction

Environmental and real-life conditions

Ambient conditions

Degree of protection	IP67
Ambient temperature (operation)	-40 °C ... 125 °C
Altitude	2000 m

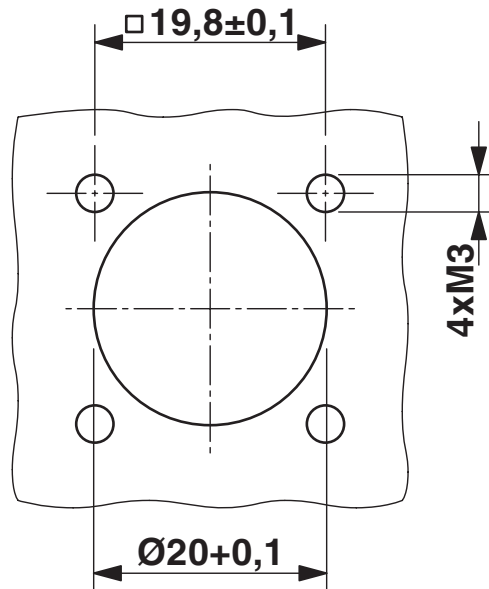
RF-12P2S8AA200 - Device connector front mounting

1607268

<https://www.phoenixcontact.com/us/products/1607268>

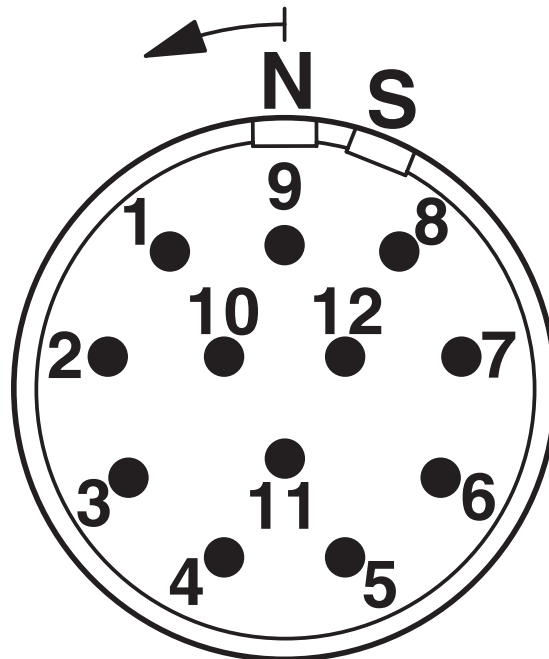
Drawings

Dimensional drawing



Installation dimensions

Schematic diagram



Connector pin assignment

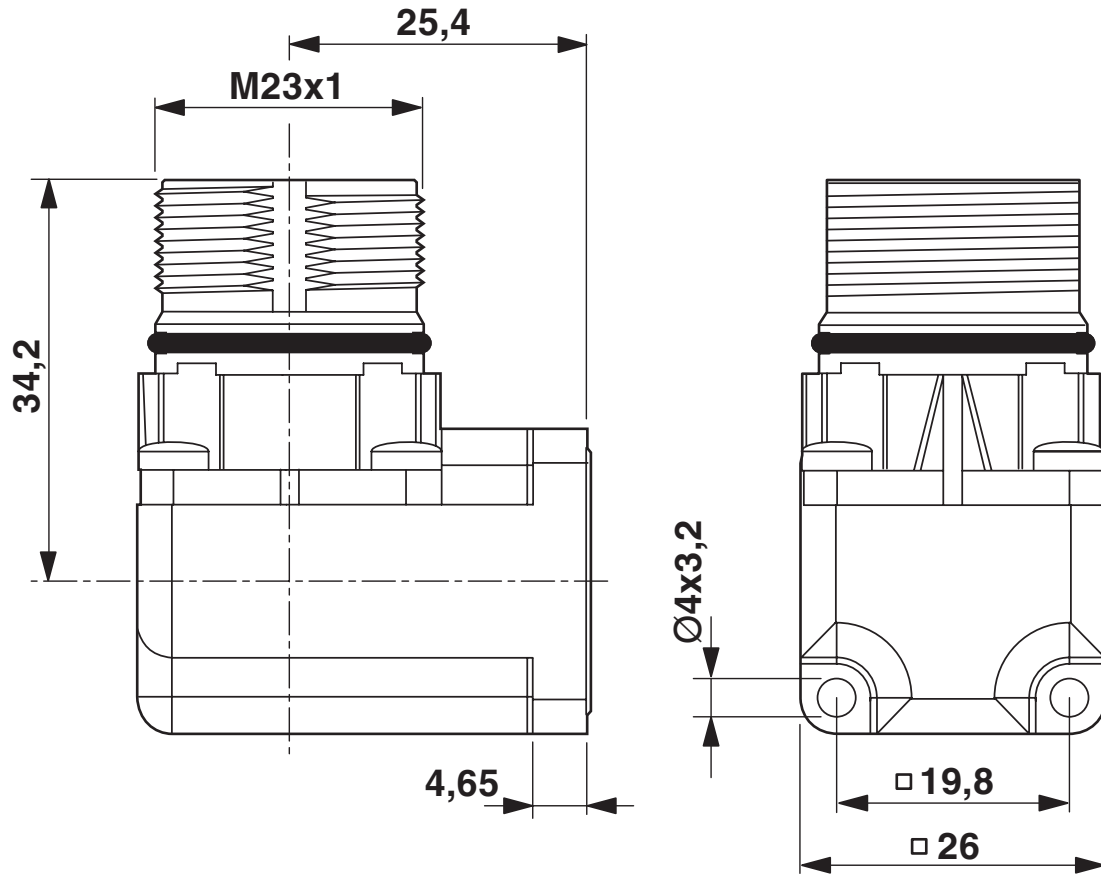
RF-12P2S8AA200 - Device connector front mounting



1607268

<https://www.phoenixcontact.com/us/products/1607268>

Dimensional drawing



Dimensional drawing

RF-12P2S8AA200 - Device connector front mounting





1607268

<https://www.phoenixcontact.com/us/products/1607268>

Approvals

To download certificates, visit the product detail page: <https://www.phoenixcontact.com/us/products/1607268>

 cUL Recognized Approval ID: E153698-20090723				
	Nominal voltage U_N	Nominal current I_N	Cross section AWG	Cross section mm^2
	48 V	5 A	20 - 20	-

 UL Recognized Approval ID: E153698-20090723				
	Nominal voltage U_N	Nominal current I_N	Cross section AWG	Cross section mm^2
	48 V	5 A	20 - 20	-

cULus Recognized				
-------------------------	--	--	--	--

RF-12P2S8AA200 - Device connector front mounting



1607268

<https://www.phoenixcontact.com/us/products/1607268>

Classifications

ECLASS

ECLASS-11.0	27440109
ECLASS-12.0	27440109
ECLASS-13.0	27440109

ETIM

ETIM 9.0	EC003569
----------	----------

UNSPSC

UNSPSC 21.0	39121400
-------------	----------

1607268

<https://www.phoenixcontact.com/us/products/1607268>

Environmental product compliance

EU RoHS

Fulfills EU RoHS substance requirements	Yes
Exemption	6(c)

China RoHS

Environment friendly use period (EFUP)	EFUP-50
	An article-related China RoHS declaration table can be found in the download area for the respective article under "Manufacturer declaration". For all articles with EFUP-E, no China RoHS declaration table issued and required.

EU REACH SVHC

REACH candidate substance (CAS No.)	Lead(CAS: 7439-92-1)
SCIP	a686cd87-7a5e-49dc-b313-9bf2fb4ecf8d

RF-12P2S8AA200 - Device connector front mounting



1607268

<https://www.phoenixcontact.com/us/products/1607268>

Accessories

PROT-M23PRO-OT-IP20 - Plastic protective cap

1055753

<https://www.phoenixcontact.com/us/products/1055753>

Plastic protective cap, M23, degree of protection: IP20, series: M23 PRO



Phoenix Contact 2024 © - all rights reserved
<https://www.phoenixcontact.com>

Phoenix Contact USA
586 Fulling Mill Road
Middletown, PA 17057, United States
(+717) 944-1300
info@phoenixcon.com