



FCIconnect.com

Copyright FCI.

1

2

List of "SFW__R-1/2STAE1LF" customer document

DOCUMENT NO.	LIST
SC-SFW14	SPEC.
JSA95886	CAT.NO.TABLE FOR 1mm SPACING SMT CONNECTOR (SFW__R-1/2STA__LF)
JSA95887	1mm SPACING SMT CONNECTOR (SFW__R-1STA__LF)
JSA96111	1mm SPACING SMT CONNECTOR (SFW__R-2STA__LF)
JSA95888	CAT.NO.TABLE FOR PLASTIC TAPE PACKAGED 1mm SPACING SMT CONNECTOR (SFW__R-1/2STAE1LF)
JSA95889	PLASTIC TAPE PACKAGED 1mm SPACING SMT CONNECTOR (SFW__R-1STAE1LF)
JSA96112	PLASTIC TAPE PACKAGED 1mm SPACING SMT CONNECTOR (SFW__R-2STAE1LF)
JSA95890	RECOMMENDED CABLE (FPC) (SFW__R-1/2ST__)
GS-20-129	HANDLING PROCEDURES

mat'l. code -				surface ISO 1302 58 ✓		tolerance ISO 406 ISO 1101		projection		product family 58RF		CODE JP	
ltr				ecn no		dr		date		tolerances unless otherwise specified			
A				J05-0055		H.T		'05/2/4		angles linear			
B				J06-0398		H.T		9/26/'06		mm			
C				J09-0358		M.Y		2009-10-5		scale X			
D				J09-0380		M.Y		2009-10-27					
sheet index				revision sheet		D		1		dwg no JSA96337 sheet 1 of 1 size A4			
										type Product Customer Drawing			
										Rev. D			

CAT. NO. & DIMENSIONS

NO. OF CONTACTS (n)	CAT. NO.	DIMENSIONS (NOTE2)			
		A ± 0.2	B ± 0.2	C ± 0.2	D ± 0.1
4	SFW4R-1/2STA__LF	9.8	8.6	3.0	5.3
5	SFW5R-1/2STA__LF	10.8	9.6	4.0	6.3
6	SFW6R-1/2STA__LF	11.8	10.6	5.0	7.3
7	SFW7R-1/2STA__LF	12.8	11.6	6.0	8.3
8	SFW8R-1/2STA__LF	13.8	12.6	7.0	9.3
9	SFW9R-1/2STA__LF	14.8	13.6	8.0	10.3
10	SFW10R-1/2STA__LF	15.8	14.6	9.0	11.3
11	SFW11R-1/2STA__LF	16.8	15.6	10.0	12.3
12	SFW12R-1/2STA__LF	17.8	16.6	11.0	13.3
13	SFW13R-1/2STA__LF	18.8	17.6	12.0	14.3
14	SFW14R-1/2STA__LF	19.8	18.6	13.0	15.3
15	SFW15R-1/2STA__LF	20.8	19.6	14.0	16.3
16	SFW16R-1/2STA__LF	21.8	20.6	15.0	17.3
17	SFW17R-1/2STA__LF	22.8	21.6	16.0	18.3
18	SFW18R-1/2STA__LF	23.8	22.6	17.0	19.3
19	SFW19R-1/2STA__LF	24.8	23.6	18.0	20.3
20	SFW20R-1/2STA__LF	25.8	24.6	19.0	21.3
21	SFW21R-1/2STA__LF	26.8	25.6	20.0	22.3
22	SFW22R-1/2STA__LF	27.8	26.6	21.0	23.3
23	SFW23R-1/2STA__LF	28.8	27.6	22.0	24.3
24	SFW24R-1/2STA__LF	29.8	28.6	23.0	25.3
25	SFW25R-1/2STA__LF	30.8	29.6	24.0	26.3
26	SFW26R-1/2STA__LF	31.8	30.6	25.0	27.3
27	SFW27R-1/2STA__LF	32.8	31.6	26.0	28.3
28	SFW28R-1/2STA__LF	33.8	32.6	27.0	29.3
29	SFW29R-1/2STA__LF	34.8	33.6	28.0	30.3
30	SFW30R-1/2STA__LF	35.8	34.6	29.0	31.3

CAT. NO. SFW (n) R - 1 ST A __ LF

SERIES NAME

NO. OF CONTACTS

RIGHT ANGLE TYPE

FOR FPC/FFC, CONTACT DIRECTION
1. LOWER CONTACT TYPE
2. UPPER CONTACT TYPE

FOR AUTOMATIC MOUNTING (SMT)

GOLD PLATING

PACKAGE STYLE

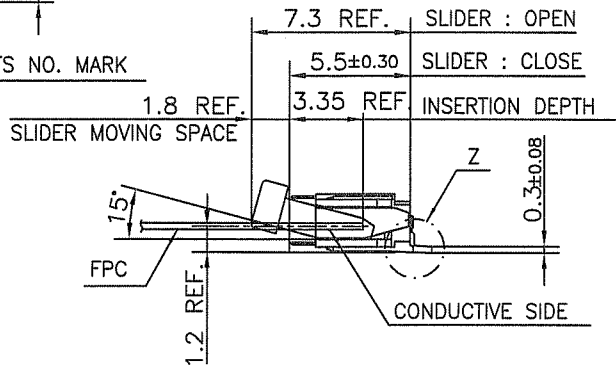
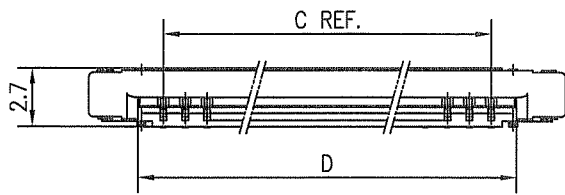
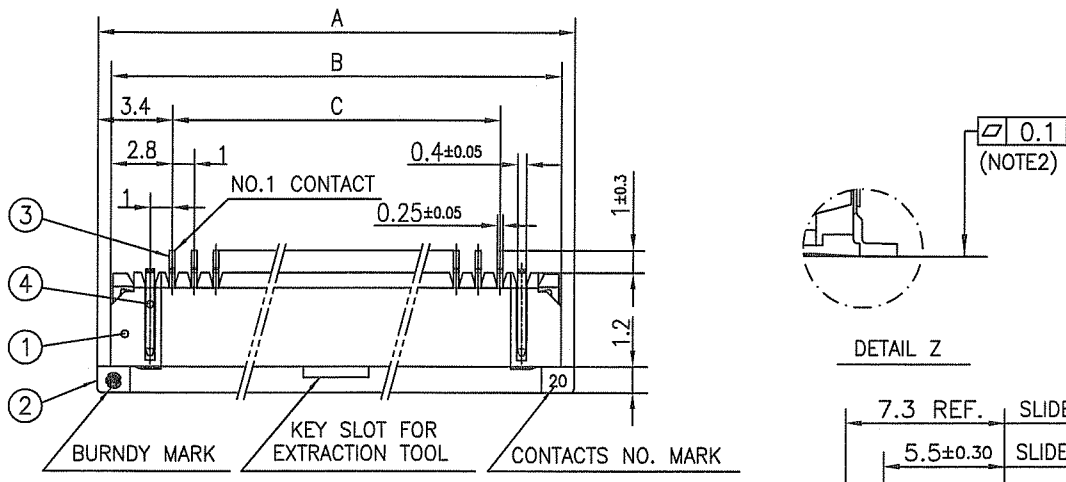
LEAD FREE

NOTES

1. THIS PRODUCT IS THE CONNECTOR USED FOR FPC AND COPELS WITH AUTOMATIC MOUNTING (SMT).
2. SEE PART DRAWINGS FOR DIMENSIONS A~D.

mat'l. code				surface 58 / tolerance ISO 1302 ✓ ISO 406 ISO 1101		projection		product family 58RF		CODE JP	
ltr ecn no dr date				tolerances unless otherwise specified		mm		title CAT NO. TABLE FOR 1mm SPACING SMT CONNECTOR (Cat. No. SFW__R-1/2STA__LF)			
AA	J04-0413	H.T	11/16/04	angles linear	scale X		dwg no sheet 1 of 1 size		JSA 95886 A4		
AB	J05-0055	H.T	2/4/05		FCCI		type Product Customer Drawing				
AC	J06-0398	H.T	9/26/06		dr M.YAMASHITA 2009-10-5		engr M.YAMASHITA 2009-10-5				
AD	J09-0358	M.Y	2009-10-5		chr S. Nishimura 2009-10-6		appd S. Oudama 2009-10-6				
sheet index		revision sheet 1		AD 1						Rev. AD	

SC-SFW14 JSA95887 96111 95888 95889 96112 95890 form: A4



PT. NO.	PARTS NAME	MATERIAL	Q'TY	NOTE
1	HOUSING	PPS RESIN GLASS REINFORCED (UL94V-0)	1	COLOR : BROWN
2	SLIDER	PPS RESIN GLASS REINFORCED (UL94V-0)	1	COLOR : BLACK
3	CONTACT	PHOSPHOR BRONZE	n	CONTACT AREA : GOLD TARMINAL AREA : TIN
4	MOUNTING PLATE		2	PLATING : TIN

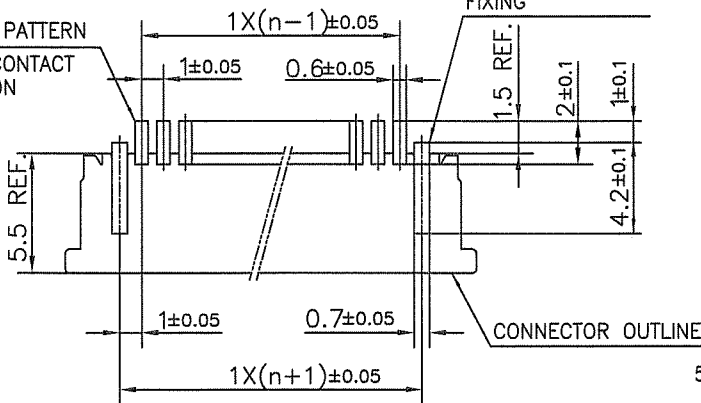
n : NO. OF CONTACTS

NOTES

1. THIS PRODUCT IS THE CONNECTOR USED FOR FPC AND COPEs WITH AUTOMATIC MOUNTING (SMT).
2. FLATNESS FOR CONTACT TERMINAL HOUSING MUST BE WITHIN TOLERANCE IN Z PORTION DETAILED DRAWING.
3. THIS PRODUCT IS LOWER CONTACT TYPE CONNECTOR.
4. THIS PRODUCT MEETS EUROPEAN UNION DIRECTIVES AND OTHER?COUNTRY REGULATIONS AS DESCRIBED IN GS-22-008

RECOMMENDED PC BOARD LAYOUT (COMPONENT SIDE)

BASIC PATTERN
NO.1 CONTACT POSITION

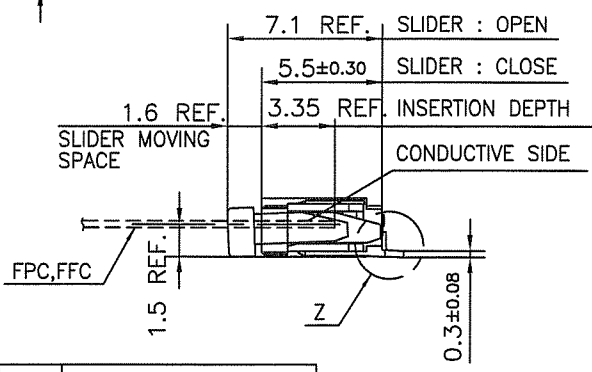
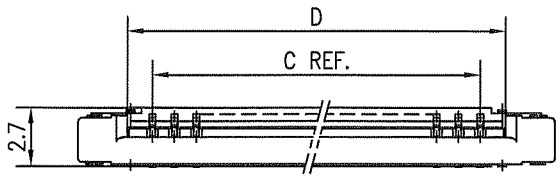
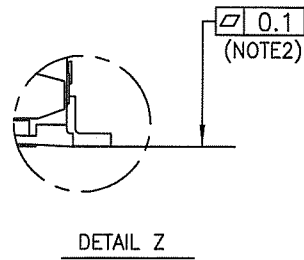
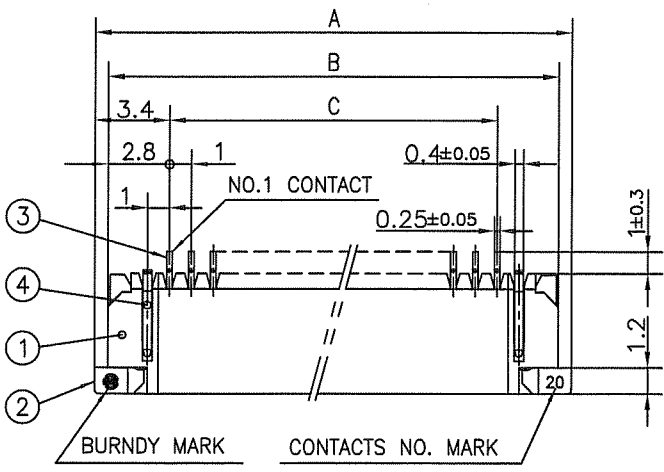


PATTERN FOR MOUNTING PLATE FIXING

5. THE HOUSING WILL WITHSTAND EXPOSURE TO 260°C PEAK TEMPERATURE FOR 10 SECONDS IN A REFLOW SOLDERING OVEN.

mat'l. code		surface 58 / tolerance ISO 1302 / ISO 406 / ISO 1101		projection		product family 58RF		CODE JP	
ltr ecn no dr date		tolerances unless otherwise specified		mm		title			
AA J04-0329 H.T 9/27/04		angles linear ±0.2		mm		1mm SPACING SMT CONNECTOR			
AB J05-0055 H.T 2/4/05				mm		(Cat. No. SFW__R-1STA__LF)			
AC J05-0736 H.T 10/28/05				scale X		dwg no		sheet 1 of 1 size	
AD J06-0398 H.T 9/26/06		dr N. YAMASAKI 2009-10-5		FCI		JSA 95887		A4	
AE J09-0358 M.Y 2009-10-5		enr N. YAMASAKI 2009-10-5				type Product Customer Drawing			
		chr S. W. ... 2009-10-6							
		appd J. ... 2009-10-6							
sheet index		revision AE						Rev. AE	
sheet 1									

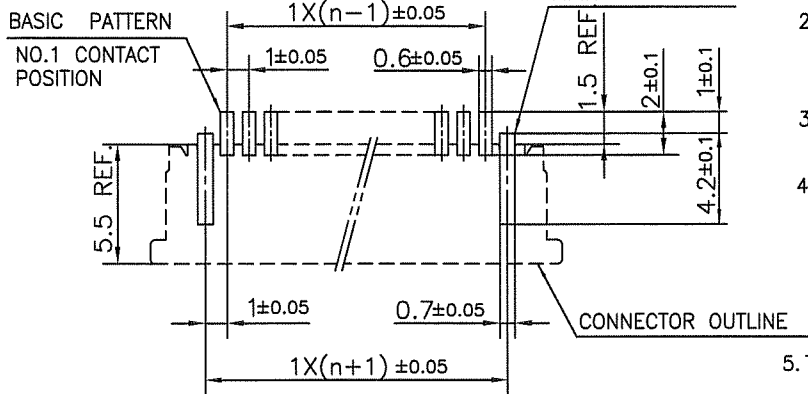
SC_SFW14 form: A4 JSA95886



PT. NO.	PARTS NAME	MATERIAL	Q'TY	NOTE
1	HOUSING	PPS RESIN GLASS REINFORCED (UL94V-0)	1	COLOR : BROWN
2	SLIDER	PPS RESIN GLASS REINFORCED (UL94V-0)	1	COLOR : BLACK
3	CONTACT	PHOSPHOR BRONZE	n	CONTACT AREA : GOLD TARMINAL AREA : TIN
4	MOUNTING PLATE	PHOSPHOR BRONZE	2	PLATING : TIN

n : NO. OF CONTACTS

RECOMMENDED PC BOARD LAYOUT
(COMPONENT SIDE)



PATTERN FOR MOUNTING PLATE FIXING

CONNECTOR OUTLINE

NOTES

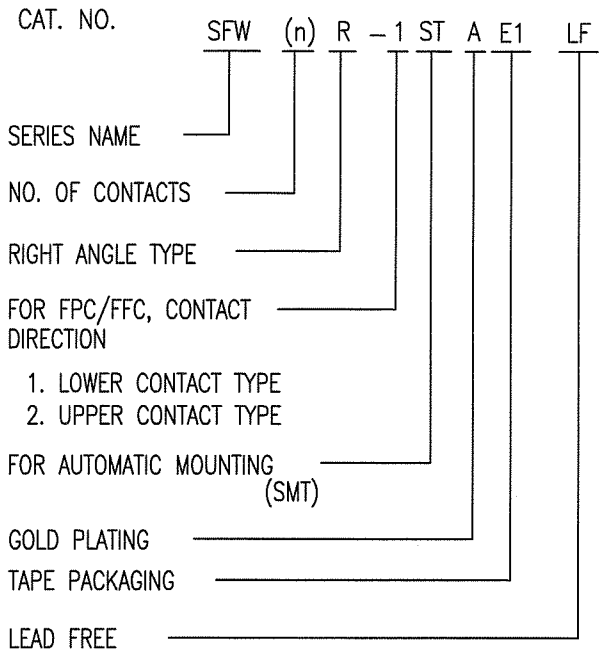
1. THIS PRODUCT IS THE CONNECTOR USED FOR FPC AND COPEs WITH AUTOMATIC MOUNTING (SMT).
2. FLATNESS FOR CONTACT TERMINAL HOUSING MUST BE WITHIN TOLERANCE IN Z PORTION DETAILED DRAWING.
3. THIS PRODUCT IS UPPER CONTACT TYPE CONNECTOR.
4. THIS PRODUCT MEETS EUROPEAN UNION DIRECTIVES AND OTHER?COUNTRY REGULATIONS AS DESCRIBED IN GS-22-008
5. THE HOUSING WILL WITHSTAND EXPOSURE TO 260°C PEAK TEMPERATURE FOR 10 SECONDS IN A REFLOW SOLDERING OVEN.

mat'l. code			surface 58 / tolerance ISO 1302 / ISO 406 / ISO 1101		projection		product family 58RF		CODE JP	
ltr	ecn no	dr	date		tolerances unless otherwise specified		title		sheet 1 of 1	
A	J04-0413	H.T	11/16/04		±0.2		1mm SPACING SMT CONNECTOR		size A4	
B	J05-0055	H.T	2/4/05		angles linear		(Cat. No. SFW__R-2STA__LF)			
C	J05-0736	H.T	10/28/05				scale			
D	J06-0398	H.T	9/26/06		dr		H.YAMASHITA 2009-10-5		dwg no JSA 96111	
E	J09-0358	M.Y	2009-10-5		enr		H.YAMASHITA 2009-10-5		type Product Customer Drawing	
					chr		S.W.K. 2009-10-6			
					appd		J. Dadani 2009-10-6			
sheet index	revision sheet	E	1						Rev. E	

SC_SF14 JSA95886 form: A4

CAT. NO. & DIMENSIONS

NO. OF CONTACTS (n)	CAT. NO. (NOTE2)	DIMENSIONS (NOTE3)		
		E ± 5	F ± 0.3	G ± 0.1
4	SFW4R-1/2STAE1 LF	20.4	16	—
5	SFW5R-1/2STAE1 LF	28.4	24	—
6	SFW6R-1/2STAE1 LF	28.4	24	—
7	SFW7R-1/2STAE1 LF	28.4	24	—
8	SFW8R-1/2STAE1 LF	28.4	24	—
9	SFW9R-1/2STAE1 LF	28.4	24	—
10	SFW10R-1/2STAE1 LF	28.4	24	—
11	SFW11R-1/2STAE1 LF	28.4	24	—
12	SFW12R-1/2STAE1 LF	28.4	24	—
13	SFW13R-1/2STAE1 LF	36.4	32	28.4
14	SFW14R-1/2STAE1 LF	36.4	32	28.4
15	SFW15R-1/2STAE1 LF	36.4	32	28.4
16	SFW16R-1/2STAE1 LF	36.4	32	28.4
17	SFW17R-1/2STAE1 LF	48.4	44	40.4
18	SFW18R-1/2STAE1 LF	48.4	44	40.4
19	SFW19R-1/2STAE1 LF	48.4	44	40.4
20	SFW20R-1/2STAE1 LF	48.4	44	40.4
21	SFW21R-1/2STAE1 LF	48.4	44	40.4
22	SFW22R-1/2STAE1 LF	48.4	44	40.4
23	SFW23R-1/2STAE1 LF	48.4	44	40.4
24	SFW24R-1/2STAE1 LF	48.4	44	40.4
25	SFW25R-1/2STAE1 LF	48.4	44	40.4
26	SFW26R-1/2STAE1 LF	48.4	44	40.4
27	SFW27R-1/2STAE1 LF	48.4	44	40.4
28	SFW28R-1/2STAE1 LF	60.4	56	52.4
29	SFW29R-1/2STAE1 LF	60.4	56	52.4
30	SFW30R-1/2STAE1 LF	60.4	56	52.4

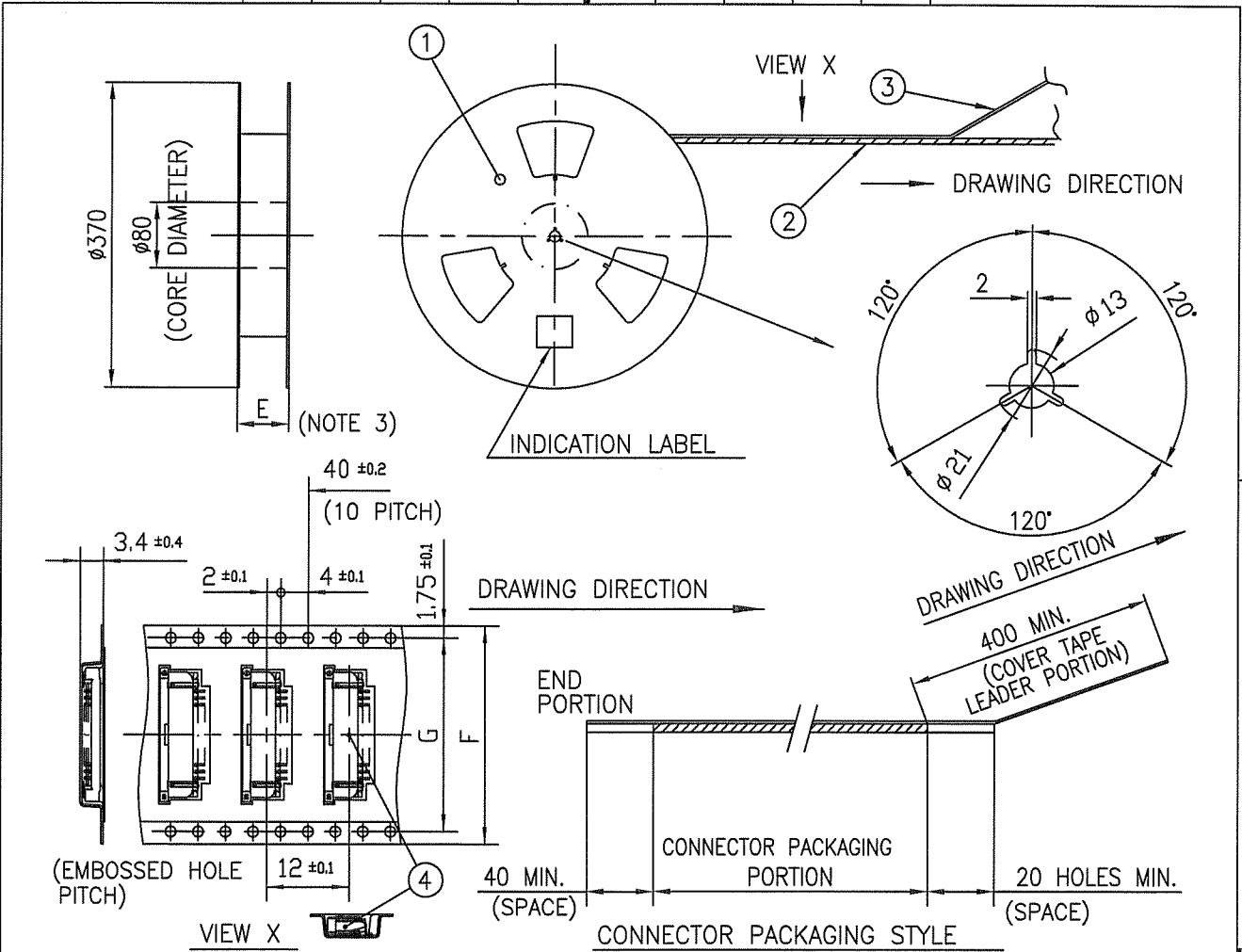


NOTES

1. THIS PRODUCT IS THE CONNECTOR USED FOR FPC AND COPEs WITH AUTOMATIC MOUNTING (SMT).
2. THIS CATALOG NO. INDICATES PLASTIC TAPE PACKAGED CONNECTOR.
3. SEE PART DRAWINGS FOR DIMENSIONS E~G.

mat'l. code		surface 58 / tolerance ISO 1302 / ISO 406 / ISO 1101		projection	product family 58RF	CODE JP
ltr	ecn no	dr	date	tolerances unless otherwise specified	title	
AA	J04-0413	H.T	11/16/04	angles linear	CAT NO. TABLE FOR PLASTIC TAPE PACKAGED 1mm SPACING SMT CONNECTOR (Cat. No. SFW__R-1/2STAE1 LF)	
AB	J05-0055	H.T	2/4/05		dwg no JSA 95888 sheet 1 of 1 size A4	
AC	J06-0398	H.T	9/26/06		type Product Customer Drawing	
AD	J09-0358	M.Y	2009-10-5	dr M.YAMASHITA 2009-10-5	Rev. AD	
				enr M.YAMASHITA 2009-10-5		
				chr S. W. 2009-10-6		
				appd J. Chidam 2009-10-6		
sheet index	revision sheet	AD	1			

SC_SFW14 form: A4 JSA95886 95889 96112



PT. NO.	PARTS NAME	CAT. NO.	MATERIAL	Q'TY	NOTE
1	REEL	_____	CARDBOARD	1	COLOR:WHITE
2	PLASTIC (EMBOSS) TAPE	_____	PET	_____	COLOR:TRANSPARENCY
3	COVER	_____	POLYESTER	_____	COLOR:TRANSPARENCY
4	CONNECTOR	SFW_R-1STA_LF	SEE ATTACHED DWG.	2000	LOWER CONTACT TYPE

NOTES

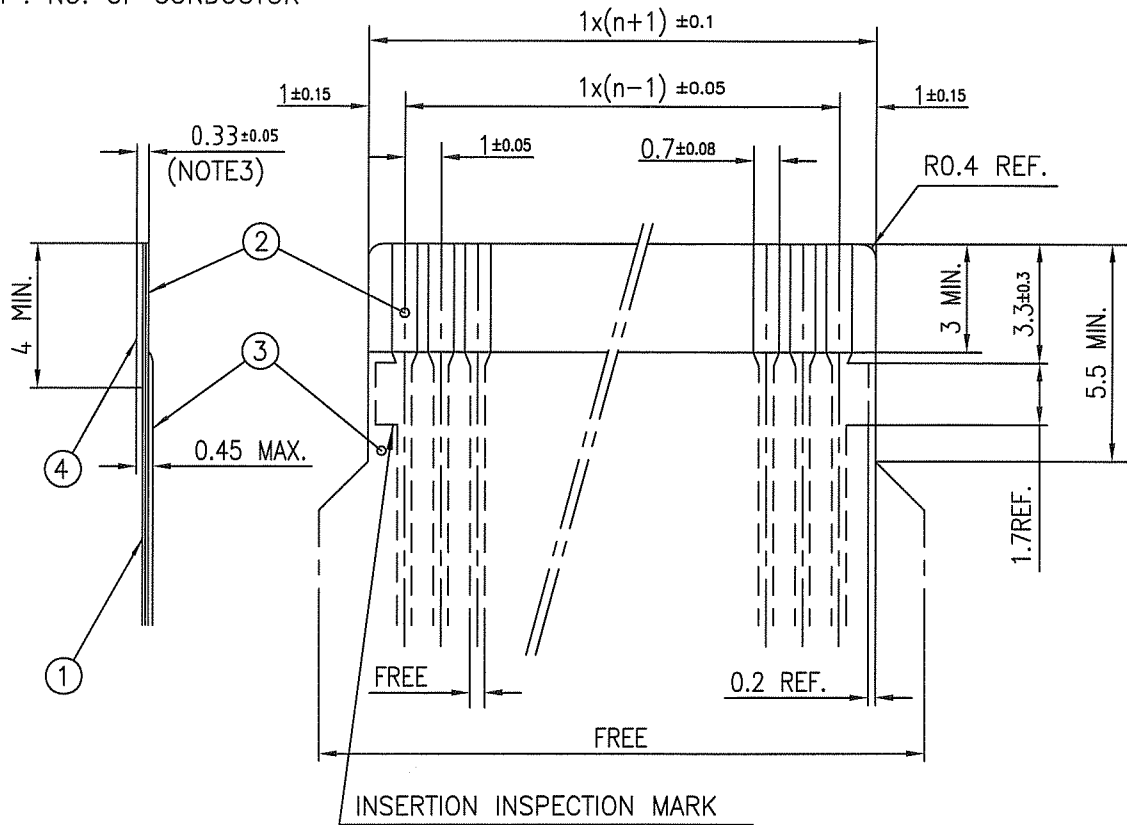
- THIS IS PLASTIC TAPE PACKAGED CONNECTOR USED FOR FPC AND COPEs WITH AUTOMATIC MOUNTING (SMT).
- SEE JIS C 0806 (PACKING OF ELECTRONIC COMPONENTS ON CONTINUOUS TAPES (SURFACE MOUNTING DEVICES)) FOR SHAPE AND DIMENSIONS OF PLASTIC (EMBOSS) TAPE AND REEL.
- E DIMENSION IS PORTION OF THE CORE.

mat'l. code		surface ISO 1302 <input checked="" type="checkbox"/>		tolerance ISO 406 ISO 1101		projection		product family 58RF		CODE JP	
ltr	ecn no	dr	date	tolerances unless otherwise specified				title			
AA	J05-0055	H.T	2/4/05	angles	linear	mm		PLASTIC TAPE PACKAGED 1mm SPACING SMT CONNECTOR (Cat. No. SFW__R-1STAE1 LF)			
AB	J06-0398	H.T	9/26/06	±5'		scale X		dwg no sheet 1 of 1 size			
AC	J09-0358	M.Y	2009-10-5			FCJ		JSA 95889 A4			
				dr	M.YAMASHITA	2009-10-5		type Product Customer Drawing			
				enr	M.YAMASHITA	2009-10-5					
				chr	S. W. K.	2007-10-6					
				appd	J. Chidambaram	2009-10-6					
sheet index	revision	AC									Rev. AC
	sheet	1									

SC_SFW14 JSA95888 form: A4

RECOMMENDED CABLE (FPC)

n : NO. OF CONDUCTOR



PT. NO.	PARTS NAME	MATERIAL	THICKNESS (um)
1	BASE FILM	POLYIMIDE OR POLYESTER OR EQUAL	25
2	CONDUCTOR	COPPER FOIL (PLATING : Ni UNDER PLATING GOLD0.5um MIN.)	35
3	OVERLAY	POLYIMIDE OR POLYESTER OR EQUAL	—
4	SUPPORTING TAPE	POLYESTER OR POLYIMIDE OR EQUAL	188

- NOTES
1. NO BURR AT EACH PORTION.
 2. NO PEELING IN COMMON USE.
 3. TOTAL THICKNESS LIMIT OF EACH MATERIAL (INCLUDING ADHESIVE AGENT) IS SPECIFIED.

mat'l. code		surface 58 ISO 1302		tolerance ISO 406 ISO 1101		projection mm		product family 58RF		CODE JP	
ltr	ecn no	dr	date	tolerances unless otherwise specified		mm		title RECOMMENDED CABLE (Cat. No. SFW__R-1/2STA_)			
AA	J04-0413	H.T	11/16/04	angles	linear	scale X		dwg no JSA 95890			
AB	J06-0398	H.T	9/26/06			FCJ		sheet 1 of 1 size A4			
AC	J09-0358	M.Y	2009-10-5	dr	M.SAYANISHITA 2009-10-5			type Product Customer Drawing			
				engr	M.SAYANISHITA 2009-10-5			Rev. AC			
				chr	S. W. 2009-10-6						
				appd	S. Chudani 2009-10-6						
sheet index	revision sheet	AC	1								