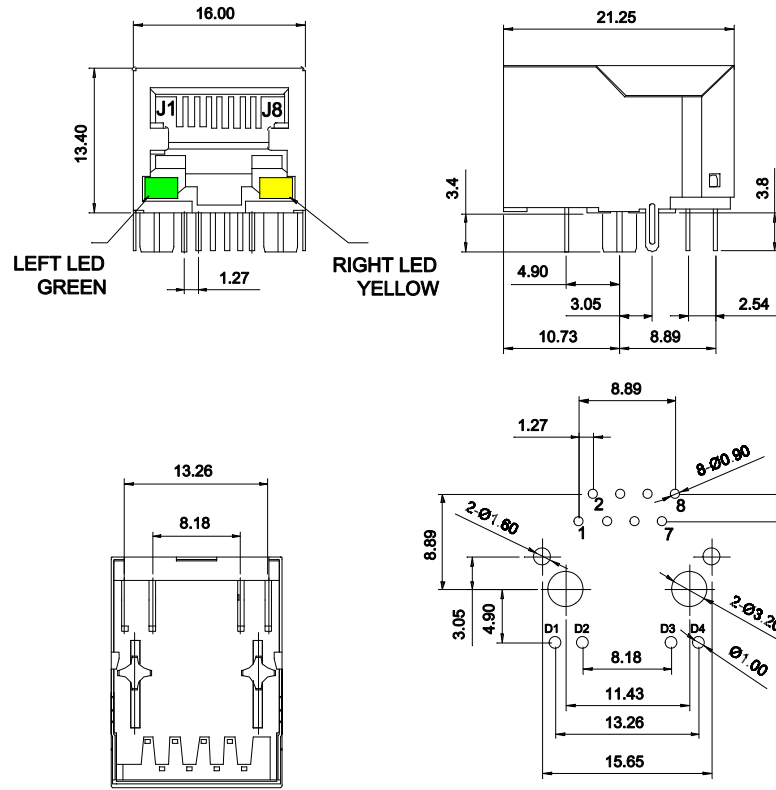


RoHS

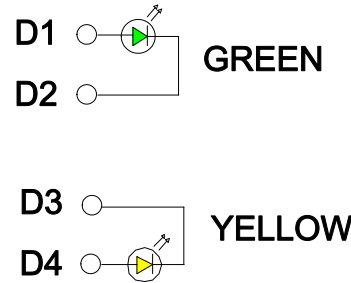
REV.	ECN NO.	LOCATIONS	DESCRIPTION	DATE	DESIGN
A		N/A	New Design	2015.10.12	Jerry Li

1.Mechanical:

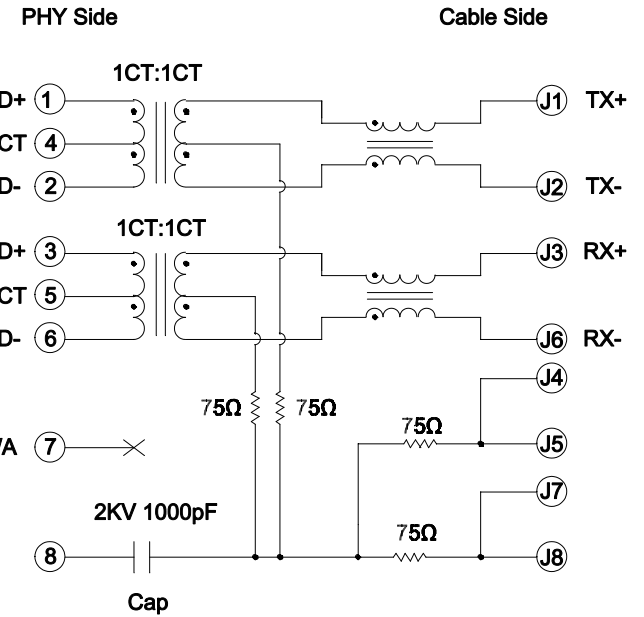


Recommend PCB Layout (Jack Top View)

3.Schematic :



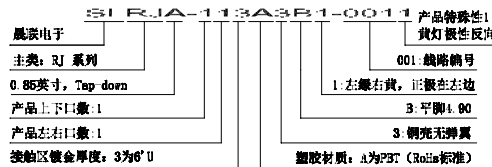
4.Eletrical Specification @25°C :



Item	Specification	Test Condition
Application	10/100 Base-T	
OCL	350uH Min	100KHz 0.1V 8mA DC Bias @ 0°C to 70°C
Leakage Inductance	0.4uH Max	100KHz 0.1V
DC Resistance	1.2 Ω I _{max}	
Turn Ratio	1CT:1CT	100KHz 0.1V
Insertion Loss	-1.0dB Min	0.5-100 MHz
Return Loss	-16dB Max	0.5-30 MHz
	-12+20log(f/80)dB Max	30.1-80 MHz
	-10dB Max	80.1-100 MHz
Cross Talk	-35dB Max	0.5-40 MHz
	-33+20log(f/50)dB Max	40.1-100 MHz
CMRR	-30dB Max	0.5-100 MHz
Hi-pot Test(2pairs)	1mA Max	2250VDC
Operating Temperature	-40°C ~ +85°C	
Storage Temperature	-10°C ~ +40°C	

2.Material :

- 2.1 Housing: PBT,BK, Flammability Rating 94V-O.
- 2.2 Insert Base: PBT,BK, Flammability Rating 94V-O.
- 2.3 Shell: Brass, nickel plating.
- 2.4 Mold Jack Contacts: Phosphor Bronze, 6u" Gold plated.



深圳市华灿天禄电子有限公司

UNIT: mm [inch] TOLERANCE: Unless Otherwise Specification All Tolerance Are ±0.25mm	DESIGN: Jerry Li	PART NAME: RJ45 WITH TRANSFORMER, SINGLE PORT SHIELD, WITH LEDS	
	CHECKED: Jerry Li	PART NO.	HC911105A-M305-A
	APPROVED: J Mou	DRAW NO.	SLC-633-A
SCALE:1:1 SIZE:A4		SHEET NO.	01 OF 01