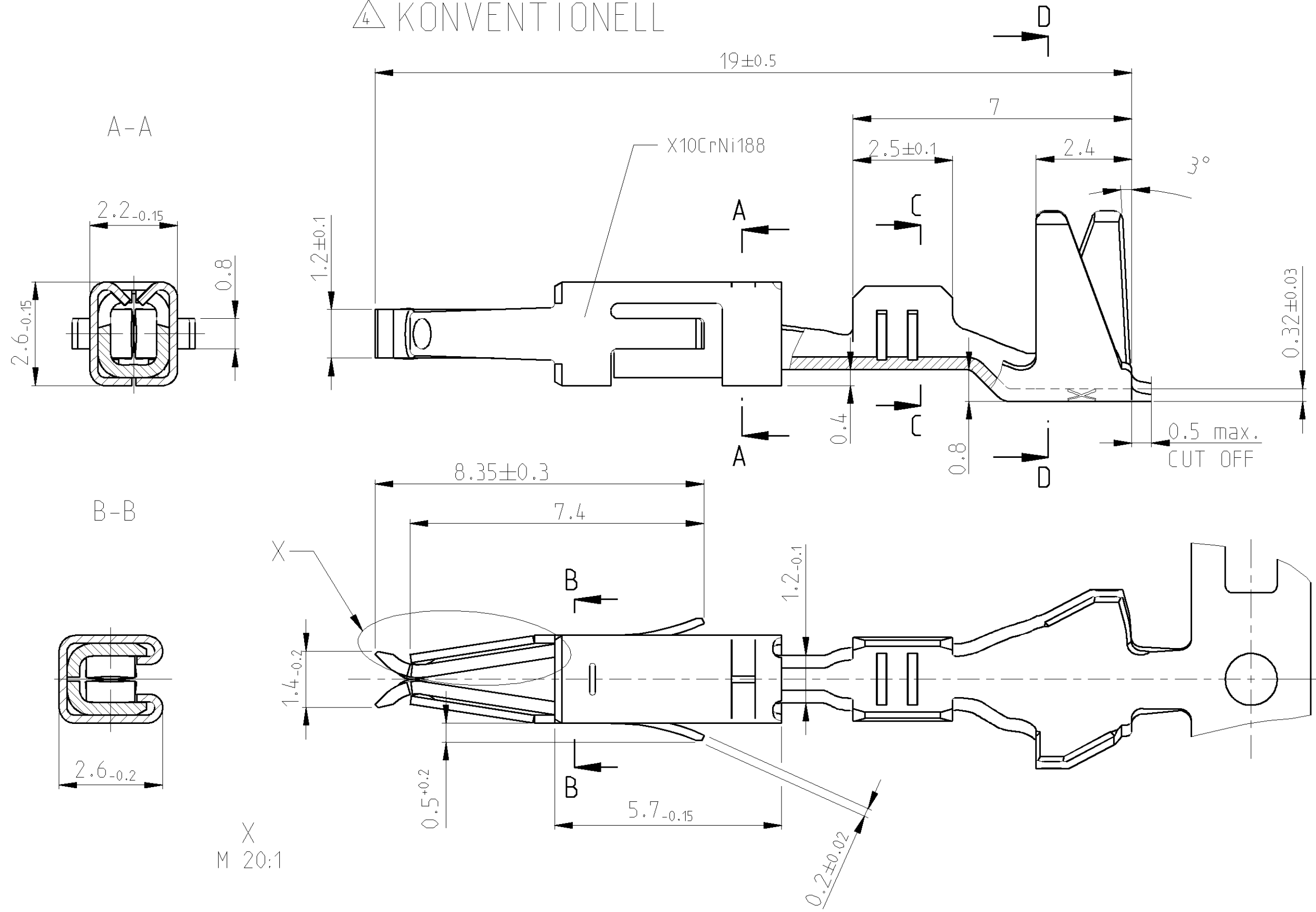


THIS DRAWING IS UNPUBLISHED. RELEASED FOR PUBLICATION
 © COPYRIGHT - ALL RIGHTS RESERVED.

LOC		DIST		REVISIONS			
P	LTR	DESCRIPTION	DATE	DWN	APVD		
	N1	DRAWING ADAPTED	06APR2009	Abr	Brun		
	N2	REVISED PER ECO-11-005150	31MAR2011	RK	HMR		
	N3	NEW VERISON OF GOLD CONTACTS PRERMITTED.	18MAY2011	Kirs	Mair		
	N4	OPTIONAL to note 5 TTD added. (area A3)	29JUN2011	Kirs	Mair		

4 KONVENTIONELL

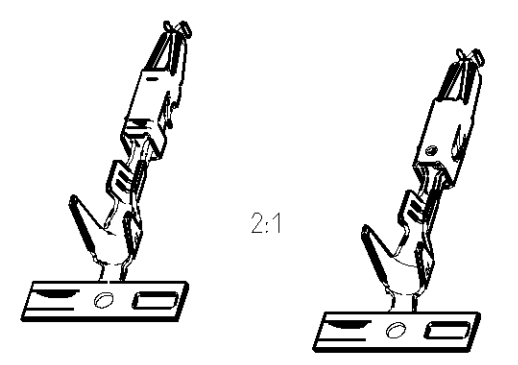


NOTES
Bemerkungen

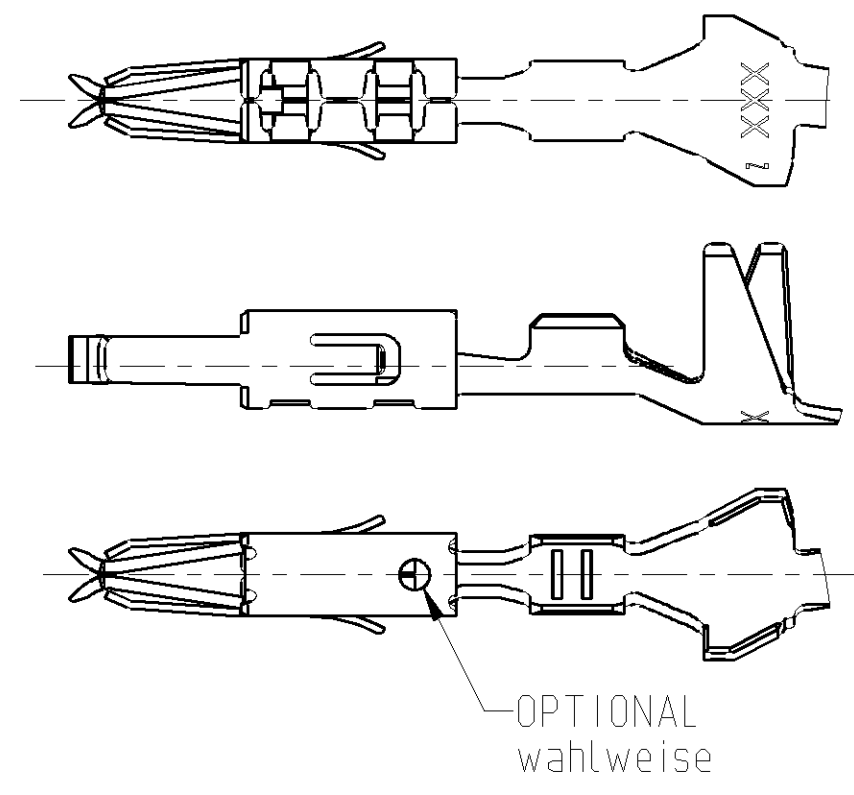
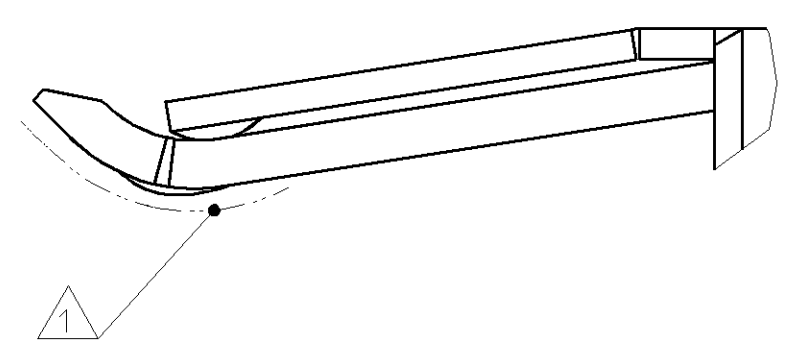
- 1 SELECTIVE GOLD PLATED MIN. 0.8µm OVER NI
selektiv vergoldet 0.8µm ueber Ni
- 2 TIN PLATED MIN. 0.2µm OVER NI
verzinkt 0.2µm ueber Ni
- 3 WIRE RANGE : 0.2 - 0.5 mm²
INSULATION-Ø: 2.8 mm (SINGLE WIRE SEAL)
Drahtgrossenbereich: 0.2 - 0.5 mm²
Isolations-Ø: 2.8 mm (Einzeldichtung)

KONVENT.

TTD



5 TWO TRACK DIE
M 5:1



VERSION	LP NO	SURFACE / Oberflaeche	MATERIAL	PART NO	REV
5 4	963710-5	1 2	CuFe2	962875-5	N
5 4	963710-3	1 2	CuSn4	962875-3	N
5	963710-2	PRETIN / vorverzinkt	CuFe2	962875-2	N
5	963710-1	PRETIN / vorverzinkt	CuSn4	962875-1	N

THIS DRAWING IS A CONTROLLED DOCUMENT.

DIMENSIONS: mm	TOLERANCES UNLESS OTHERWISE SPECIFIED: ±0.2	DWN R.Hofer 05-JAN-89 CHK L.Nix 05-APR-89 APVD M.Bleicher 25-JUN-08	TE Connectivity	
MATERIAL	PRODUCT SPEC 108-18386 APPLICATION SPEC 114-18081 WEIGHT 0.3 g	NAME MICRO TIMER 2 CONTACT WITH DOUBLE LOCKING LANCE mit doppelter Rastfeder SIZE A2 CAGE CODE 00779 DRAWING NO. C-962875 RESTRICTED TO -		
CUSTOMER DRAWING		SCALE 10:1	SHEET 1 of 1	REV N4