

# Product data sheet

Specifications



## Modicon M171 Performance Plug-in CAN

TM171ACAN

### Main

Range of product	Modicon M171
Product or component type	Communication module
Communication port protocol	CAN2.B

### Complementary

Integrated connection type	CAN port wire crimp - twisted pair
Physical interface	Twisted pair
Supply	Via base board EVD/EVC
Product compatibility	Logic controller M172 performance Logic controller M171 performance
Net weight	0.077 kg

### Environment

Product certifications	CE CSA cURus EAC
marking	CE
IP degree of protection	IP20
Ambient air temperature for operation	-10...55 °C
Ambient air temperature for storage	-20...85 °C
Relative humidity	10...90 % without condensation

### Packing Units

Unit Type of Package 1	PCE
Number of Units in Package 1	1
Package 1 Height	13.000 cm
Package 1 Width	9.100 cm
Package 1 Length	18.500 cm
Package 1 Weight	181.000 g
Unit Type of Package 2	S02
Number of Units in Package 2	6
Package 2 Height	15.000 cm
Package 2 Width	30.000 cm

---

<b>Package 2 Length</b>	40.000 cm
-------------------------	-----------

---

<b>Package 2 Weight</b>	1.315 kg
-------------------------	----------

## Sustainability

**Green Premium™ label** is Schneider Electric's commitment to delivering products with best-in-class environmental performance. Green Premium promises compliance with the latest regulations, transparency on environmental impacts, as well as circular and low-CO<sub>2</sub> products.

**Guide to assessing product sustainability** is a white paper that clarifies global eco-label standards and how to interpret environmental declarations.

[Learn more about Green Premium >](#)

[Guide to assess a product's sustainability >](#)

## Resource performance

✔ Upgradeable Through Digital Modules  
And Upgraded Components

---

## Well-being performance

✔ Mercury Free

---

✔ Rohs Exemption Information [Yes](#)

---

**Eu Rohs Directive** Pro-active compliance (Product out of EU RoHS legal scope)

---

**China Rohs Regulation** [China RoHS declaration](#)

---

**Weee** The product must be disposed on European Union markets following specific waste collection and never end up in rubbish bins

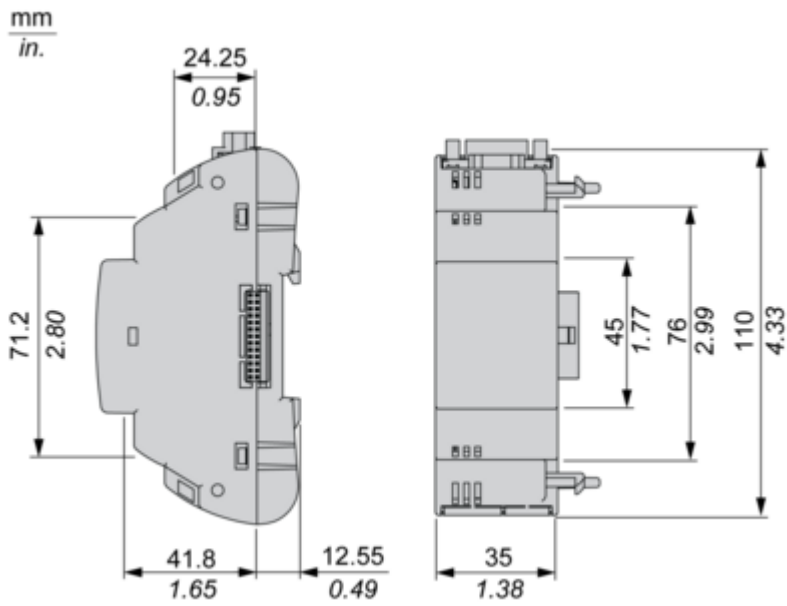
---

**California Proposition 65** WARNING: This product can expose you to chemicals including: Lead and lead compounds, which is known to the State of California to cause cancer and birth defects or other reproductive harm. For more information go to [www.P65Warnings.ca.gov](http://www.P65Warnings.ca.gov)

---

Dimensions Drawings

Dimensions

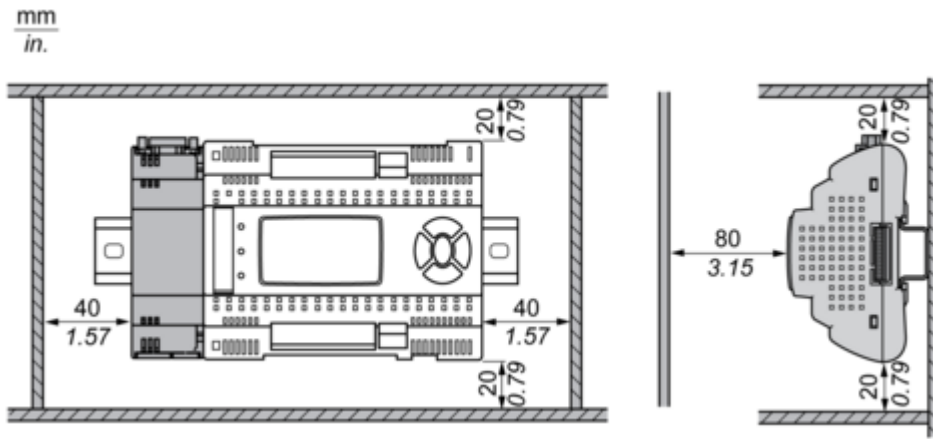


Mounting and Clearance

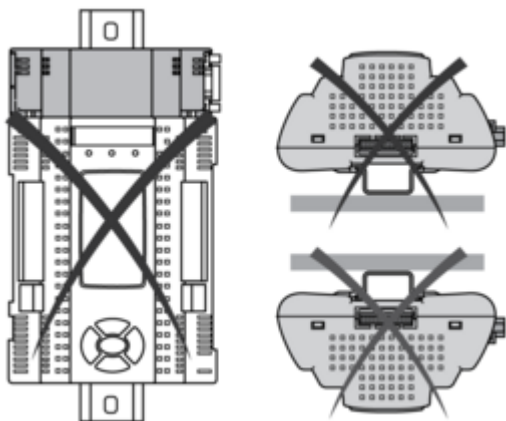
Mounting and Clearance

---

Clearance

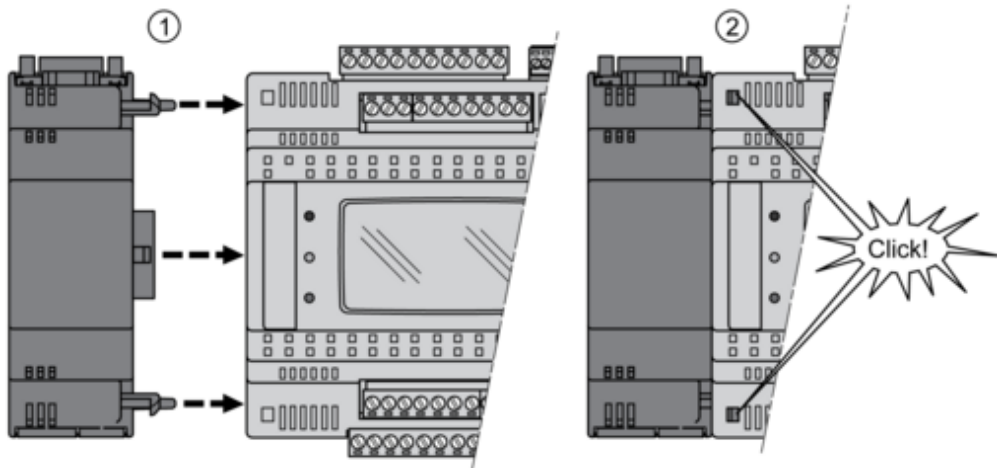


Misplacement



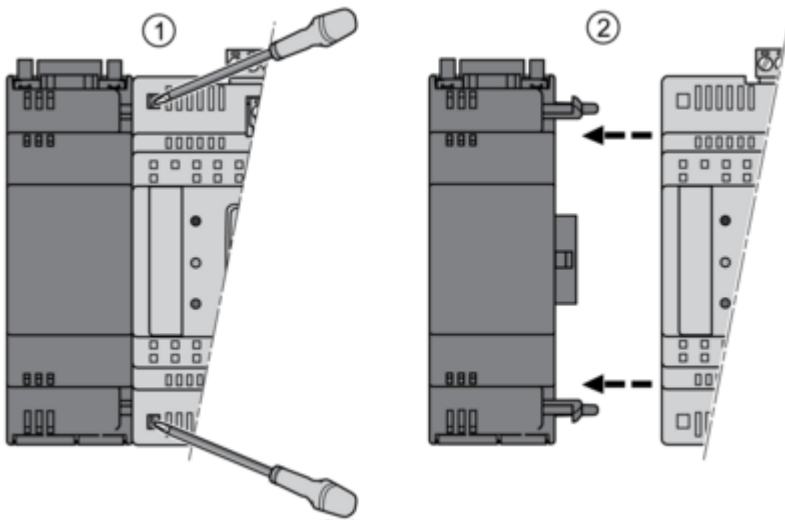
Mounting on Controller

---



Dismounting

---



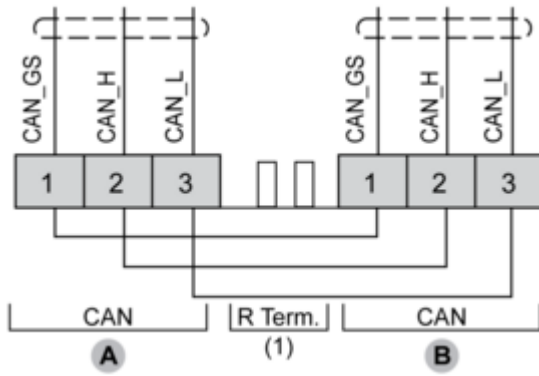
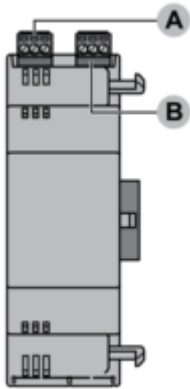
Connections and Schema

Connections and Schema

---

CAN Communication Module

TM171ACAN



(1) CAN terminal resistance.