



Part Number : [1210230434](#)

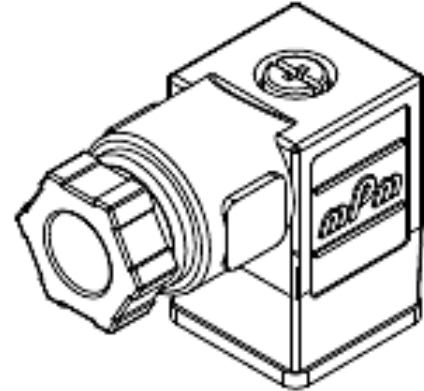
Product Description : mPm DIN Valve Connector, Form C-Micro-9.4mm, PG7 Internal Threads, 2 Pole, H12 Ground Position, Black, Nitrile Flat Gasket and Screw, Mounted, Bulk Pack

Series Number : 121023

Status : Active

Product Category : Circular Industrial Connectors

Engineering Number : C19207N22



Documents & Resources

Drawings


[Drawing 1210230434_sd.pdf](#)

Specifications

[Packaging Specification PK-121023-C19-001.pdf](#)

Product Environment Compliance

Compliance

GADSL/IMDS	Not Relevant
China RoHS	
EU ELV	Not Relevant
Low-Halogen Status	Not Reviewed per IEC 61249-2-21
REACH SVHC	Contains Lead per D(2023)8585-DC (23 Jan 2024)
EU RoHS	Compliant with Exemption 6(c) per EU 2015/863

[Multiple Part Product Compliance Statements](#)

- Eu RoHS
- REACH SVHC
- Low-Halogen

[Multiple Part Industry Compliance Documents](#)

- IPC 1752A Class C
- IPC 1752A Class D

- Molex Product Compliance Declaration
- IEC-62474
- chemSHERPA (xml)

EU RoHS Certificate of Compliance

Part Details

General

Status	Active
Category	Circular Industrial Connectors
Series	121023
Description	mPm DIN Valve Connector, Form C-Micro-9.4mm, PG7 Internal Threads, 2 Pole, H12 Ground Position, Black, Nitrile Flat Gasket and Screw, Mounted, Bulk Pack
IP Rating	IP65
Product Family	mPm DIN Valve Connectors
Product Name	mPm
Type	Field Attachable Connector
UPC	883906249045

Agency

UL	E218123
----	---------

Electrical

Current - Maximum per Contact	10.0A
Voltage - Maximum	250V AC / 300V DC

Physical

Cable Diameter	4.00-6.00mm (.157-.236")
Coupling Type	Internal Thread
Diagnostics / LEDs	No
Diagnostics Port	No
Form	C - Micro 9.4mm
Gender	N/A
Keyway	None

Material - Connector Body	Polypropylene
Material - Contact	Brass
Material - Coupling Nut	N/A
Material - Plating Mating	Silver
Orientation	90° Angle
Pitch - Mating Interface	9.40mm
Poles	2
Temperature Range - Operating	-40°C to +90°C
Wire Size (AWG)	18

This document was generated on Sep 23, 2024