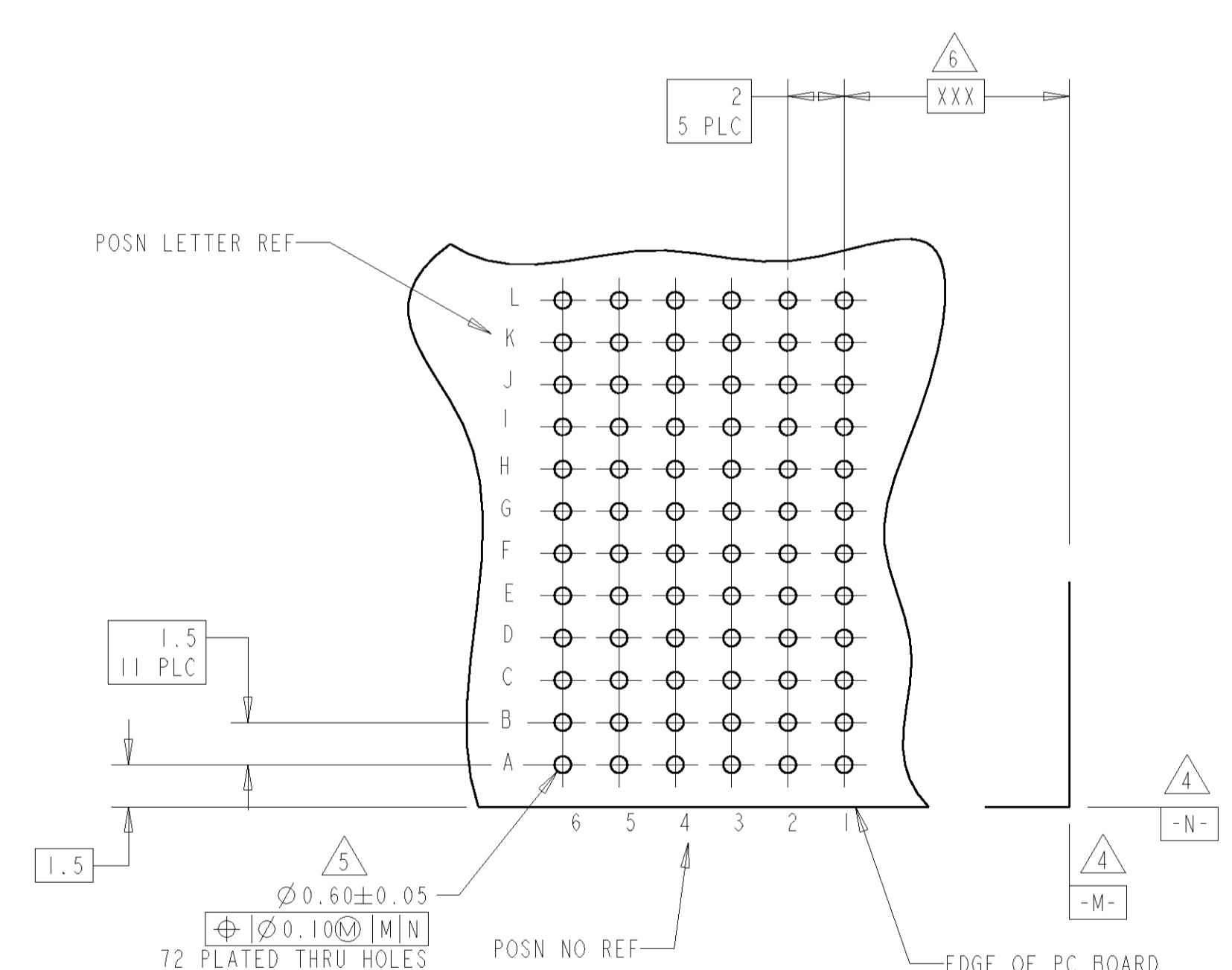
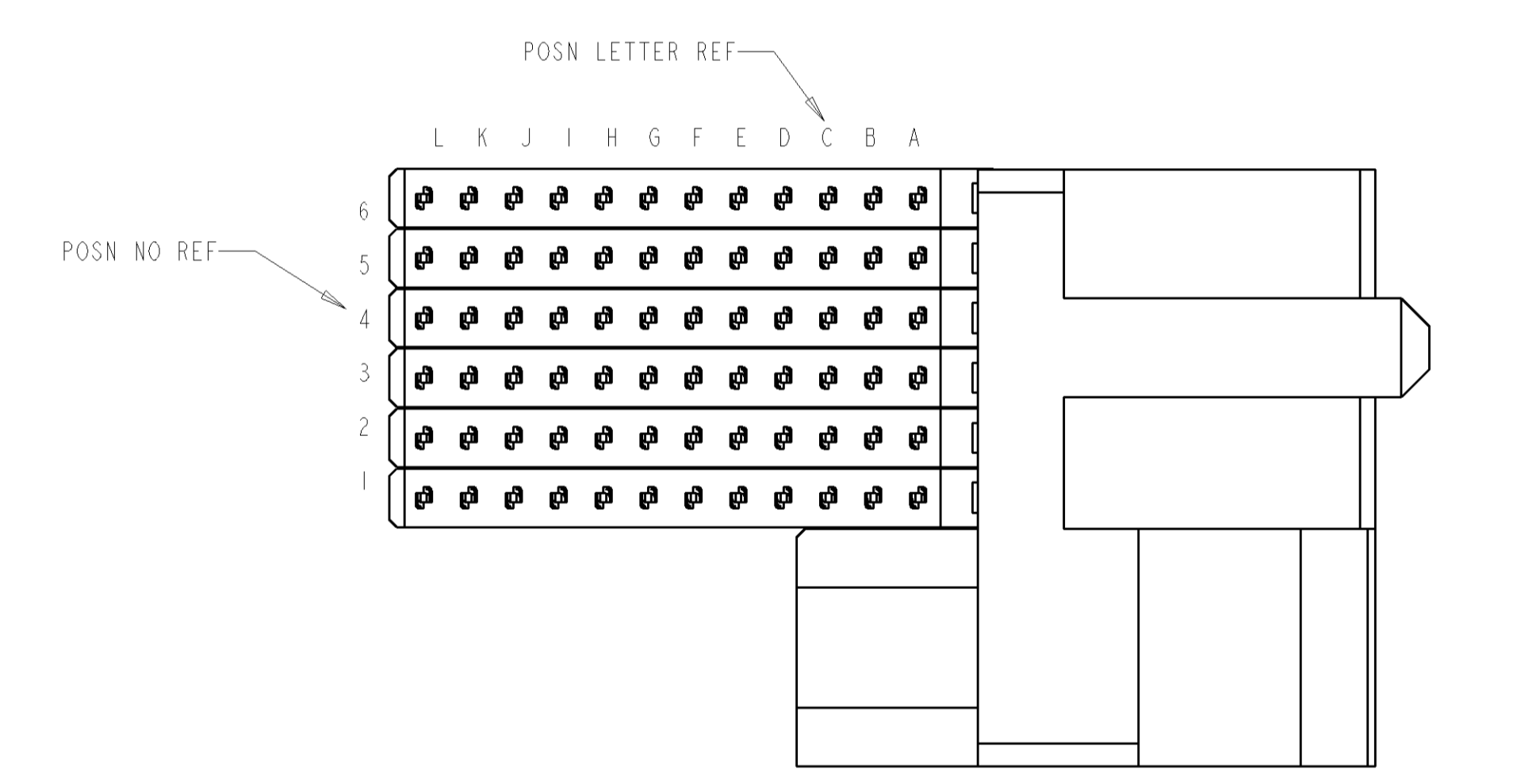
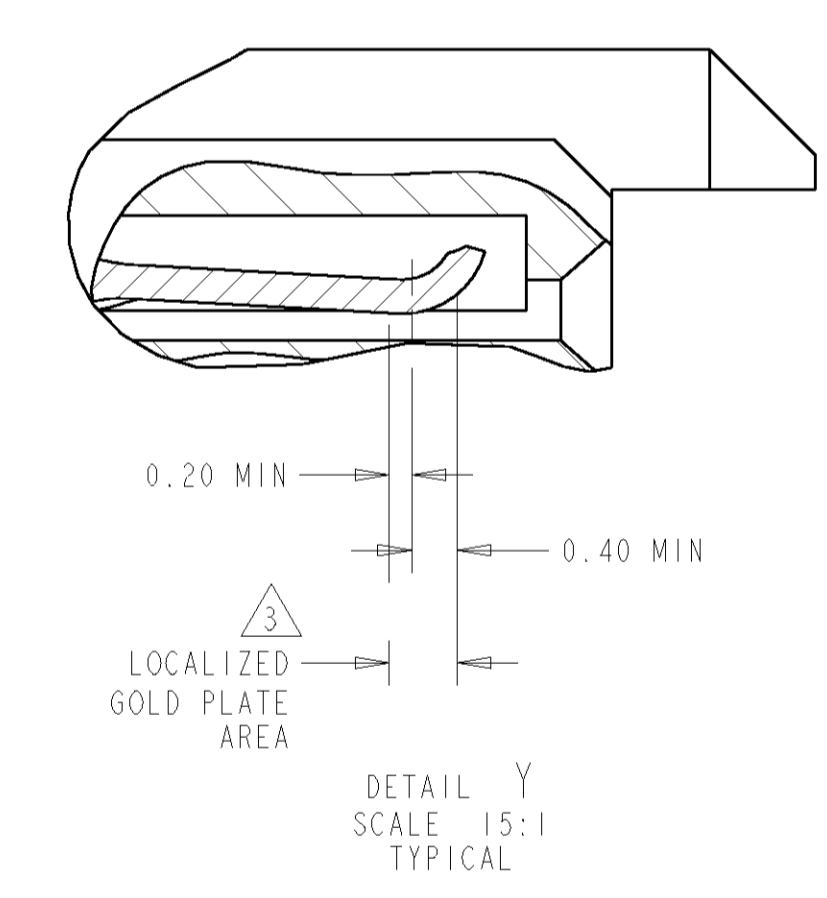
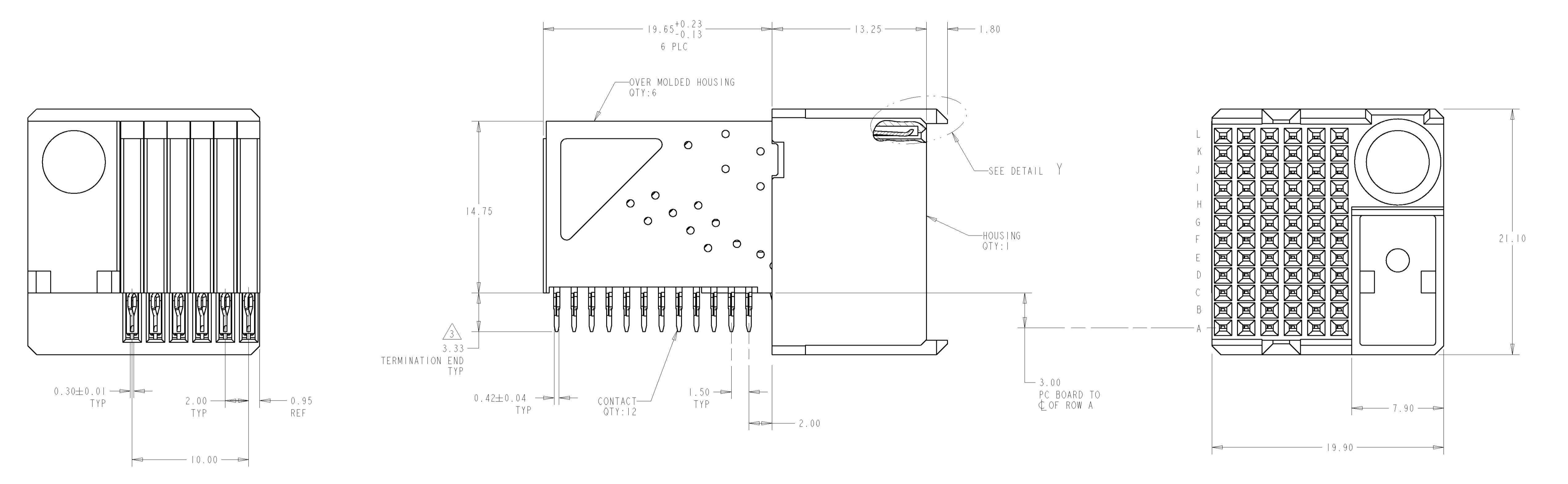


REV ISIONS		DATE	DWN	APVD
0	REV PER EC 0512-0319-04	01JUN2005	BC	GS
A	REV PER EC 0512-0302-05	13DEC2005	BC	GS



- ① GLASS FILLED POLYESTER, BLACK
- ② PHOSPHOR BRONZE
- ③ CONFORMS TO ALL TESTING ACCORDING TO IEC 61076-4-101 PERFORMANCE LEVEL 2.
- ④ DATUMS ESTABLISHED BY CUSTOMER.
- ⑤ DRILLED HOLE DIAMETER 0.700±0.025
COPPER THK 0.025-0.05
TIN THICKNESS 0.004-0.01
- ⑥ DIMENSION ESTABLISHED BY CUSTOMER.
- ⑦ GENERAL PLATING SPECIFICATION: UNDERPLATING (ENTIRE CONTACT): 1.27 μ m MIN NICKEL AND ACTION PIN: 0.5 μ m MIN TIN.
FOR PLATING OF MATING SURFACES SEE APPLICABLE SPECIFICATION REFERENCE FOR EACH DASH NUMBER

5120641-1
PART NUMBER

DIMENSIONS: mm 		TOLERANCES UNLESS OTHERWISE SPECIFIED: 0 PLC ± 1 PLC ± 2 PLC ±0.13 3 PLC ± 4 PLC ± ANGLES ±		DWN: B CARBO 01JUN2005 ENR: G SKIPPER 01JUN2005 APVD: G SKIPPER 01JUN2005		tyco Tyco Electronics Harrisburg, PA 17105-3608	
MATERIAL: HOUSING: ① CONTACTS: ②		FINISH: CONTACTS: ③ ⑦		NAME: RECEPTACLE ASSEMBLY, SIGNAL/GROUND COMBINATION, 72 POSITION, RIGHT HAND, Z-PACK 12 HM PRODUCT SPEC: APPLICATION SPEC:		SIZE: CAGE CODE DRAWING NO: A1 00779 C=5120641 RESTRICTED TO:	
WEIGHT: - CUSTOMER DRAWING		SCALE: 5:1		SHEET: 1 OF 1		REV: A	