

# RDT SERIES ROTARY DIP SWITCH

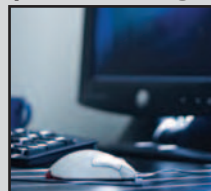
ANTI-VANDAL SWITCHES  
 DETECTOR SWITCHES  
 DIP SWITCHES  
 KEYLOCK SWITCHES  
 NAVIGATION SWITCHES  
 PUSHBUTTON SWITCHES  
 ROCKER SWITCHES  
 ROTARY SWITCHES  
 SLIDE SWITCHES  
 SNAP ACTION SWITCHES  
 TACTILE SWITCHES  
 TOGGLE SWITCHES  
 CAP OPTIONS



## APPLICATIONS / MARKETS



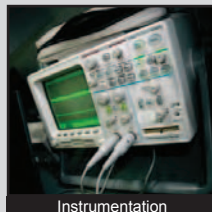
Audio / Visual



Computer Peripherals



Consumer Electronics



Instrumentation



Telecommunication



Medical Equipment

**RoHS**

## SPECIFICATIONS

**Electrical Rating:**  
 Switching: 42VDC, 150mA  
 Non-Switching: 42VDC, 200mA  
**Life Expectancy:** 10,000 steps  
**Contact Resistance:** 80mΩ Max.  
**Insulation Resistance:** 100 MΩ Min. at 250VDC  
**Dielectric Strength:** 250VAC  
**Operating Temperature:**  
 -40°C to 85°C (Thru Hole)  
 -60°C to 125°C (SMT)  
**Actuation Force:** 700 gf  
**Travel:** dependent upon individual switch positions

## FEATURES & BENEFITS

- Offers IP67 sealing protection
- Available in 4, 6, 8, 10 and 16 positions
- Right angle or vertical options
- SMT or thru hole options
- Gold contacts

## PART NUMBER CONFIGURATOR

Series	Actuator	Code	Positions	Terminals	Packaging
<input type="text" value="RDT"/>	<input type="text" value="A"/>	<input type="text" value="R"/>	<input type="text" value="04"/>	<input type="text" value="P1"/>	<input type="text" value="T"/>
	A - Arrow Flush	R - Real	04	P1 - TH 3x3 terminals	T - Tube
	B - Arrow Shaft	C - Complementary	06	P2 - TH 3x2 terminals	R - Tape & Reel
	C - Cross		08	S1 - SM 3x3 terminals	
	D - Arrow .1 High		10	S2 - SM 3x2 terminals	
			16	R1 - Angled 5.08 spacing	
				R2 - Angled 2.54 spacing	

*Specifications subject to change without notice*



**E-SWITCH®**

www.e-switch.com

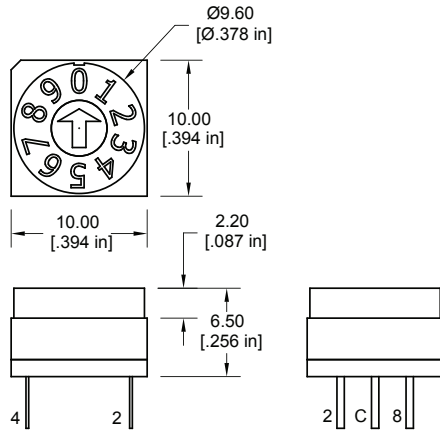
800.867.2717

2

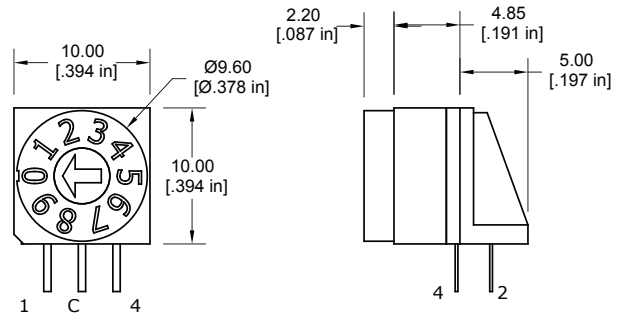
# RDT SERIES ROTARY DIP SWITCH

## BODY DIMENSIONS

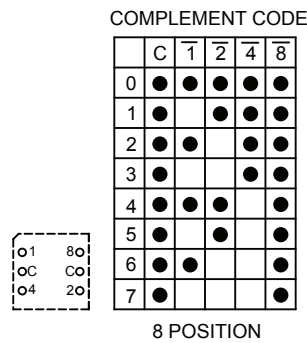
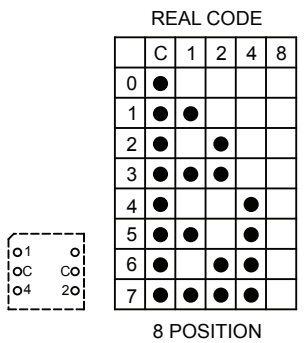
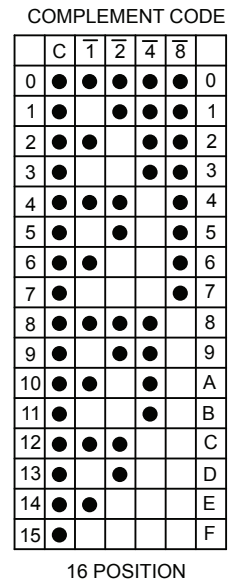
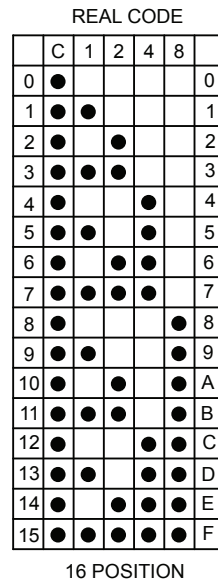
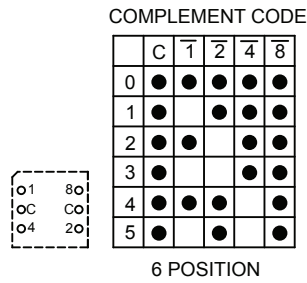
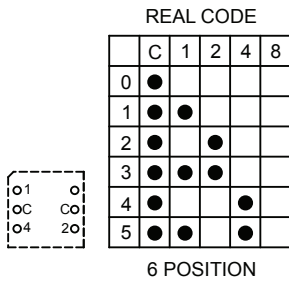
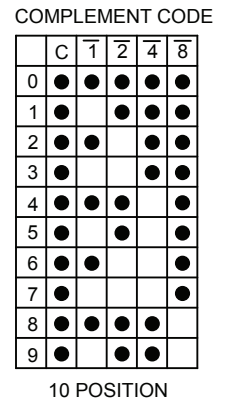
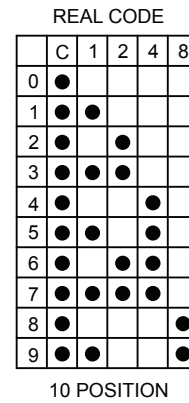
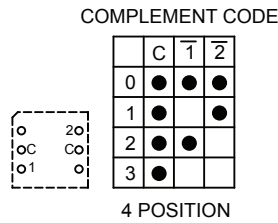
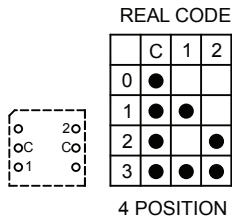
### VERTICAL



### RIGHT ANGLE



## GENERAL CODES



ANTI-VANDAL SWITCHES  
 DETECTOR SWITCHES  
 DIP SWITCHES  
 KEYLOCK SWITCHES  
 NAVIGATION SWITCHES  
 PUSHBUTTON SWITCHES  
 ROCKER SWITCHES  
 ROTARY SWITCHES  
 SLIDE SWITCHES  
 SNAP ACTION SWITCHES  
 TACTILE SWITCHES  
 TOGGLE SWITCHES  
 CAP OPTIONS

# RDT SERIES ROTARY DIP SWITCH

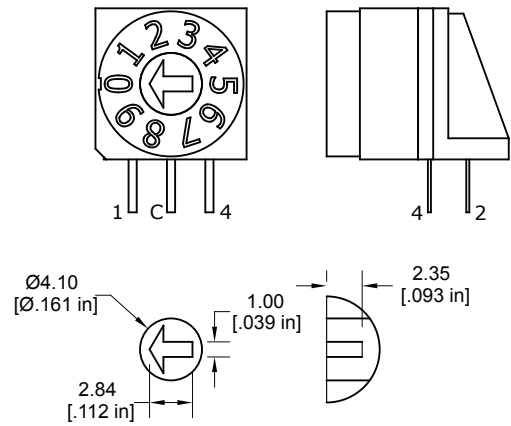
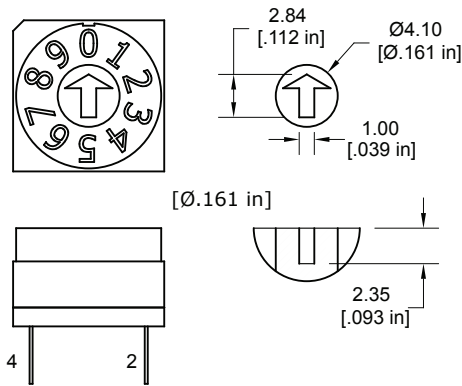
## ACTUATOR OPTIONS

ANTI-VANDAL SWITCHES  
DETECTOR SWITCHES  
DIP SWITCHES  
KEYLOCK SWITCHES  
NAVIGATION SWITCHES  
PUSHBUTTON SWITCHES  
ROCKER SWITCHES  
ROTARY SWITCHES  
SLIDE SWITCHES  
SNAP ACTION SWITCHES  
TACTILE SWITCHES  
TOGGLE SWITCHES  
CAP OPTIONS

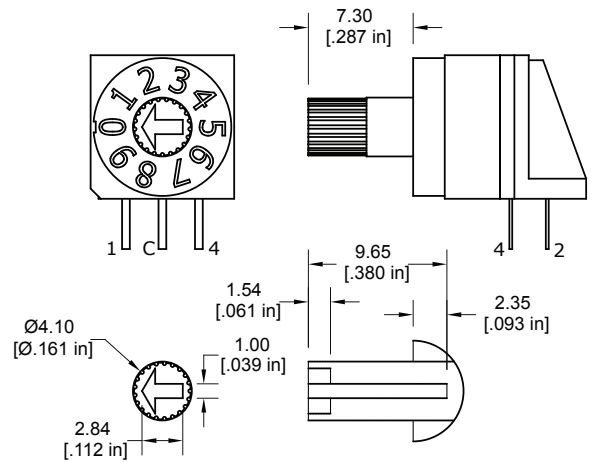
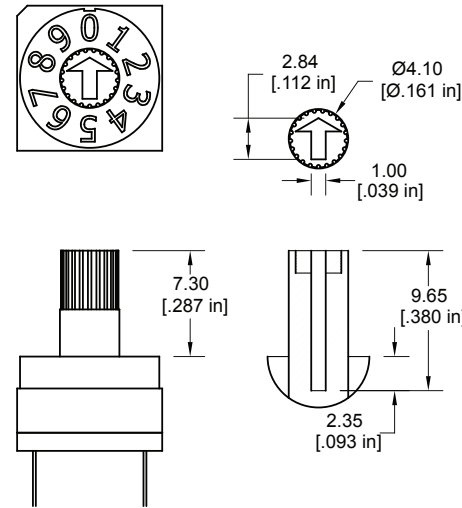
### VERTICAL

### RIGHT ANGLE

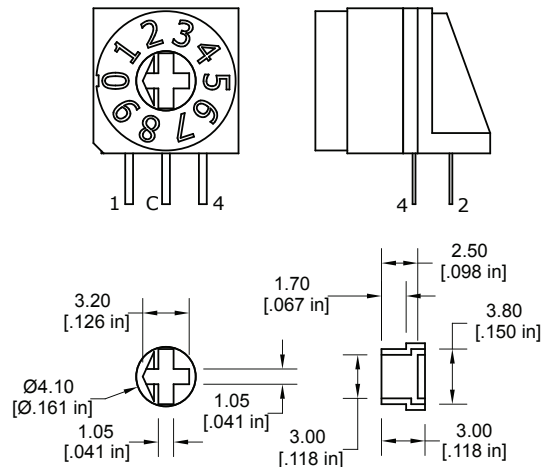
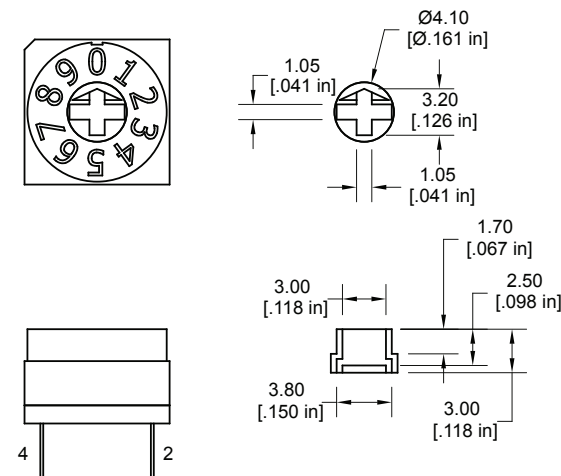
#### "A" ACTUATOR



#### "B" ACTUATOR



#### "C" ACTUATOR

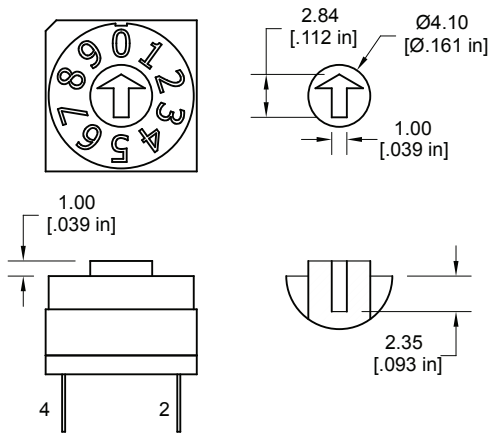


# RDT SERIES ROTARY DIP SWITCH

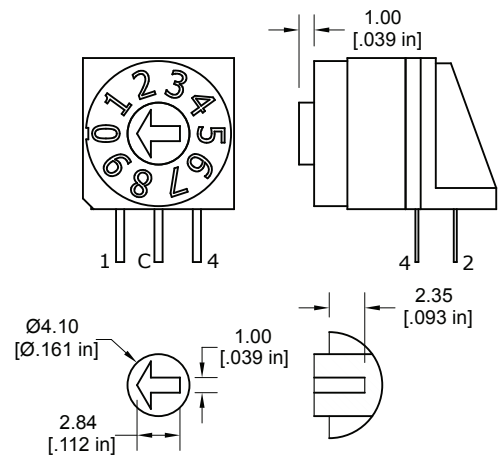
## ACTUATOR OPTIONS (CONT.)

### VERTICAL

#### "D" ACTUATOR

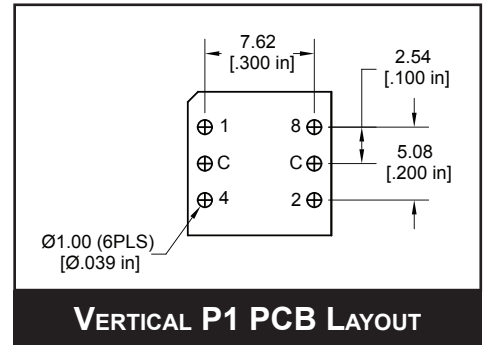
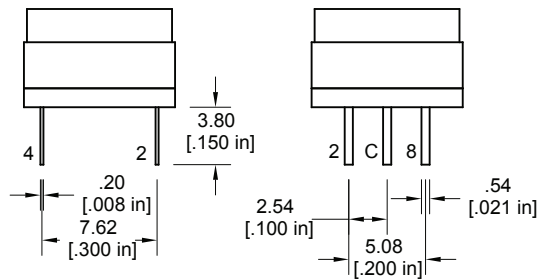


### RIGHT ANGLE

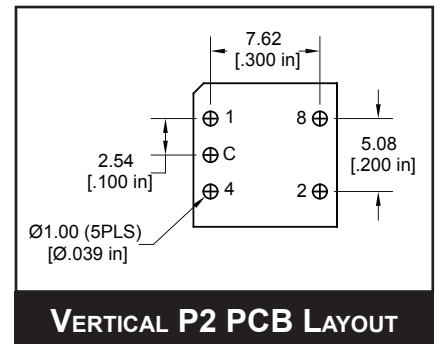
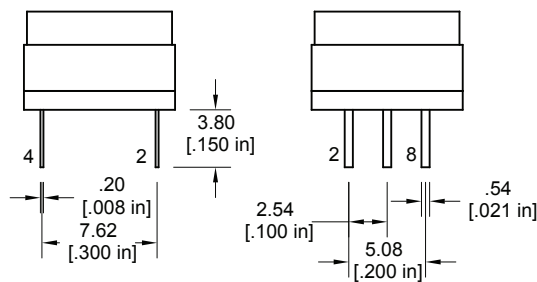


## TERMINATION OPTIONS

### P1 - VERTICAL



### P2 - VERTICAL

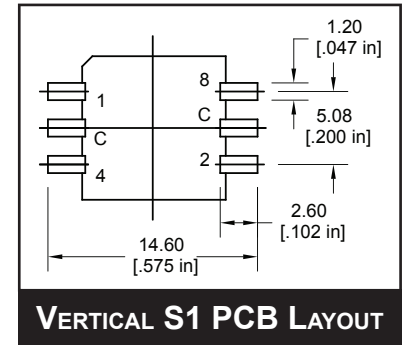
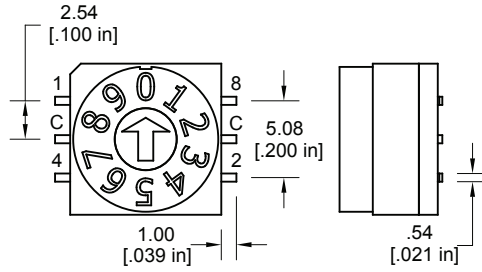


ANTI-VANDAL SWITCHES  
DETECTOR SWITCHES  
DIP SWITCHES  
KEYLOCK SWITCHES  
NAVIGATION SWITCHES  
PUSHBUTTON SWITCHES  
ROCKER SWITCHES  
ROTARY SWITCHES  
SLIDE SWITCHES  
SNAP ACTION SWITCHES  
TACTILE SWITCHES  
TOGGLE SWITCHES  
CAP OPTIONS

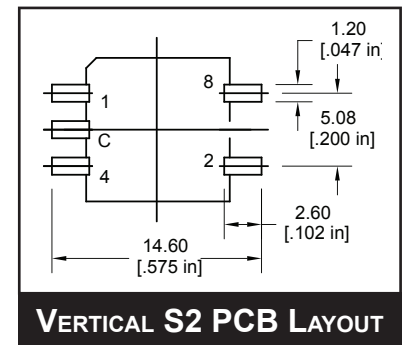
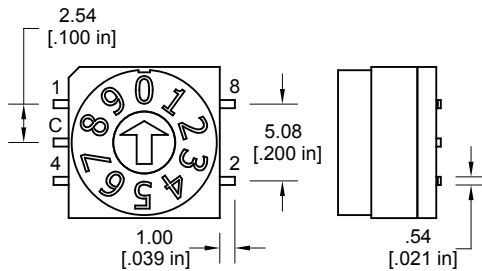
# RDT SERIES ROTARY DIP SWITCH

## TERMINATION OPTIONS (CONT.)

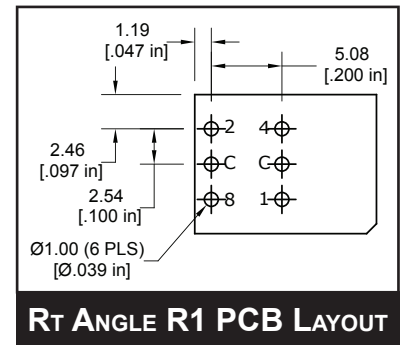
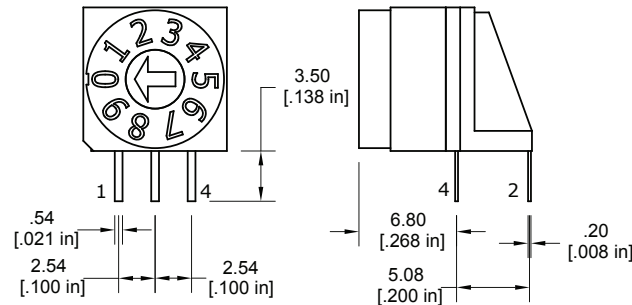
### S1 - VERTICAL



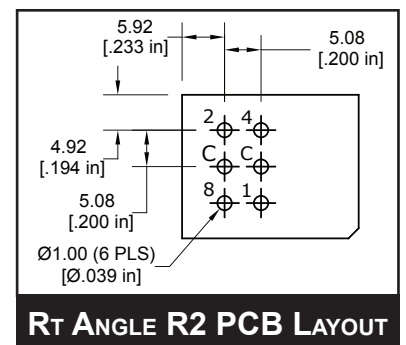
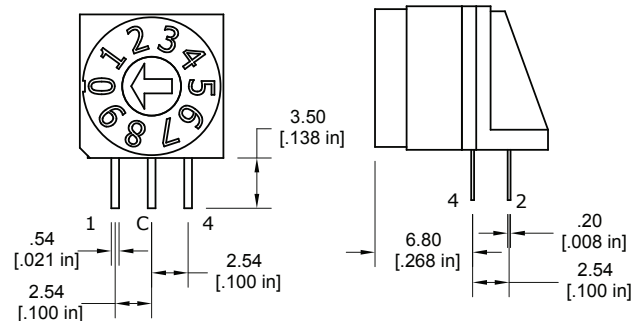
### S2 - VERTICAL



### R1 - RIGHT ANGLE



### R2 - RIGHT ANGLE



# Mouser Electronics

Authorized Distributor

Click to View Pricing, Inventory, Delivery & Lifecycle Information:

## E-Switch:

[RDTAR10P1T](#) [RDTAR10P2T](#) [RDTGR10R2T](#) [RDTCR16P1T](#) [RDTCR16S1R](#) [RDTBC04P1T](#) [RDTAR10R2T](#)  
[RDTDR04P1T](#) [RDTAR10S2R](#) [RDTBR10P1T](#) [RDTBR08P1T](#) [RDTAR10R1T](#) [RDTBR04P2T](#) [RDTCR16R2T](#)  
[RDTCR04S2R](#) [RDTBR04P1T](#) [RDTAR10S1R](#) [RDTCR16R1T](#) [RDTCR10P1T](#) [RDTBC08P1T](#) [RDTDR10P1T](#)  
[RDTCR10R2T](#)