



Connectors > Connector Accessories > Connector Strain Relief



Strain Relief Accessory Type: **Grommet**

Primary Product Material: **Flexible PVC**

Primary Product Color: **Black**

Number of Positions: **1**

Packaging Method: **Package**

Features

Product Type Features

Strain Relief Accessory Type	Grommet
------------------------------	---------

Configuration Features

Number of Positions	1
---------------------	---

Body Features

Primary Product Material	Flexible PVC
Primary Product Color	Black

Dimensions

Product Length	9.53 mm
Product Height	9.53 mm

Usage Conditions

Operating Temperature Range	-55 – 85 °C[-67 – 185 °F]
-----------------------------	---------------------------

Packaging Features

Packaging Method	Package
Packaging Quantity	1

Product Compliance

[For compliance documentation, visit the product page on TE.com>](#)

EU RoHS Directive 2011/65/EU	Compliant
EU ELV Directive 2000/53/EC	Compliant
China RoHS 2 Directive MIIT Order No 32, 2016	No Restricted Materials Above Threshold
EU REACH Regulation (EC) No. 1907/2006	Current ECHA Candidate List: JUNE 2024 (241) Candidate List Declared Against: JUNE 2024 (241) Does not contain REACH SVHC
Halogen Content	Not Low Halogen - contains Br or Cl > 900 ppm.
Solder Process Capability	Not applicable for solder process capability

Product Compliance Disclaimer

This information is provided based on reasonable inquiry of our suppliers and represents our current actual knowledge based on the information they provided. This information is subject to change. The part numbers that TE has identified as EU RoHS compliant have a maximum concentration of 0.1% by weight in homogenous materials for lead, hexavalent chromium, mercury, PBB, PBDE, DBP, BBP, DEHP, DIBP, and 0.01% for cadmium, or qualify for an exemption to these limits as defined in the Annexes of Directive 2011/65/EU (RoHS2). Finished electrical and electronic equipment products will be CE marked as required by Directive 2011/65/EU. Components may not be CE marked. Additionally, the part numbers that TE has identified as EU ELV compliant have a maximum concentration of 0.1% by weight in homogenous materials for lead, hexavalent chromium, and mercury, and 0.01% for cadmium, or qualify for an exemption to these limits as defined in the Annexes of Directive 2000/53/EC (ELV). Regarding the REACH Regulation, the information TE provides on SVHC in articles for this part number is based on the latest European Chemicals Agency (ECHA) 'Guidance on requirements for substances in articles' posted at this URL: <https://echa.europa.eu/guidance-documents/guidance-on-reach>

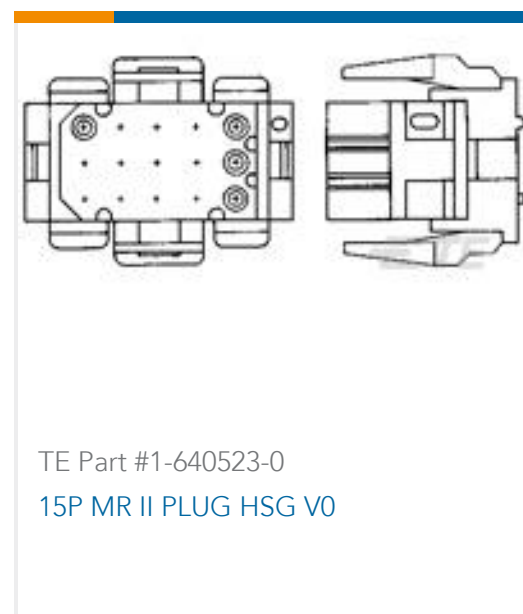
Compatible Parts



Customers Also Bought



TE Part #745254-2
20DF PIN CONTACT, PLATED



TE Part #1-640523-0
15P MR II PLUG HSG V0



TE Part #1445856-1
STR RELIEF ASY, STRAIGHT SZ 11



TE Part #175156-2
U/P REC CONT L/P



TE Part #640713-2
02P UMNL STR/RELIEVE



TE Part #350561-7
UMNL PIN 24-18 .0126 AU/NI/BR



TE Part #534998-5
10 MODIV VRT DR CE 100/125



TE Part #8-327043-1
PG SPD 22-16 COMM 22-18 MIL 6



TE Part #2-320576-1
TERMINAL, PIDG R 12-10 5/16

Documents

Product Drawings

[MR SPLT GROMET .296 DIA BLK LF](#)

English

CAD Files

[3D PDF](#)

3D

Customer View Model

[ENG_CVM_CVM_2-350375-0_U.2d_dxf.zip](#)

English

Customer View Model

[ENG_CVM_CVM_2-350375-0_U.3d_igs.zip](#)

English

Customer View Model

[ENG_CVM_CVM_2-350375-0_U.3d_stp.zip](#)

English

By downloading the CAD file I accept and agree to the [Terms and Conditions](#) of use.

Datasheets & Catalog Pages



SOFT_SHELL_PIN_AND_SOCKET_CONNECTORS_CATALOG

English

Product Specifications

Application Specification

English