

PROT-M12 MS-PA-CHAIN - Screw plug



1430899

<https://www.phoenixcontact.com/us/products/1430899>

Please be informed that the data shown in this PDF document is generated from our online catalog. Please find the complete data in the user documentation. Our general terms of use for downloads are valid.

M12 sealing cap with fixing band, for sensor cables, for free M12 sockets



Commercial data

Item number	1430899
Packing unit	5 pc
Minimum order quantity	1 pc
Sales key	BF46
Product key	BF1ZAX
Catalog page	Page 55 (C-2-2019)
GTIN	4046356332835
Weight per piece (including packing)	4.1 g
Weight per piece (excluding packing)	3.82 g
Customs tariff number	39269097
Country of origin	DE

PROT-M12 MS-PA-CHAIN - Screw plug

1430899

<https://www.phoenixcontact.com/us/products/1430899>

Technical data

Notes

General	Not suitable for M12 sockets with K, L, or M coding
---------	---

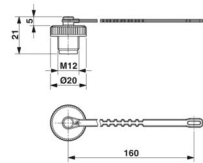
Product properties

Product type	Protective cap
Thread type	M12

Data management status

Article revision	00
------------------	----

Dimensions

Dimensional drawing	
Diameter	20 mm

Material specifications

Material	PUR (Holding band)
Flammability rating according to UL 94	V0
Seal material	NBR
Material for screw connection	PA 6.6

Environmental and real-life conditions

Ambient conditions

Degree of protection	IP65
	IP67
Ambient temperature (operation)	-25 °C ... 85 °C

PROT-M12 MS-PA-CHAIN - Screw plug

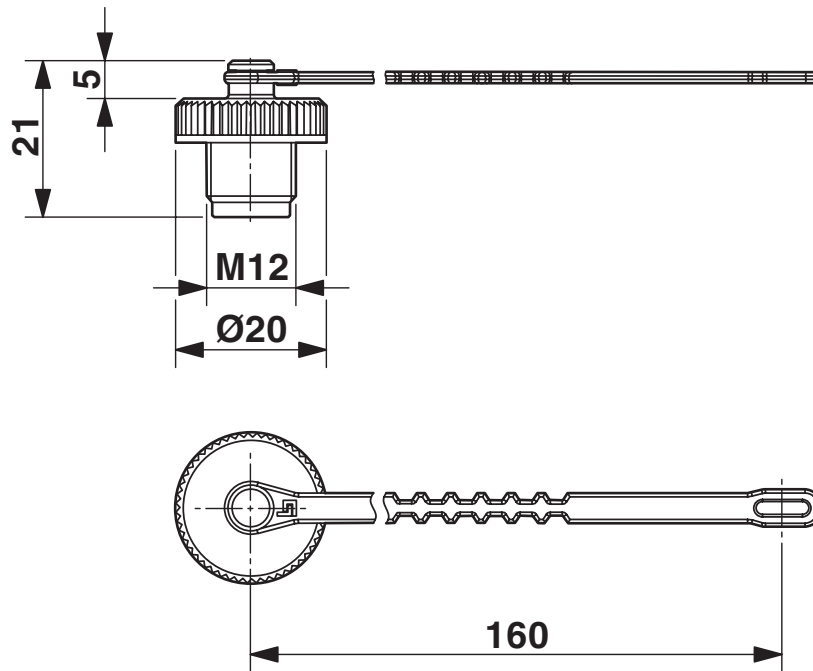


1430899

<https://www.phoenixcontact.com/us/products/1430899>

Drawings

Dimensional drawing



Dimensional drawing

PROT-M12 MS-PA-CHAIN - Screw plug



1430899

<https://www.phoenixcontact.com/us/products/1430899>

Classifications

ECLASS

ECLASS-11.0	23111190
ECLASS-12.0	23111190
ECLASS-13.0	23111190

ETIM

ETIM 9.0	EC000032
----------	----------

UNSPSC

UNSPSC 21.0	31261500
-------------	----------

PROT-M12 MS-PA-CHAIN - Screw plug



1430899

<https://www.phoenixcontact.com/us/products/1430899>

Environmental product compliance

EU RoHS

Fulfills EU RoHS substance requirements	Yes, No exemptions
---	--------------------

China RoHS

Environment friendly use period (EFUP)	EFUP-E
	No hazardous substances above the limits

EU REACH SVHC

REACH candidate substance (CAS No.)	No substance above 0.1 wt%
-------------------------------------	----------------------------

Phoenix Contact 2024 © - all rights reserved
<https://www.phoenixcontact.com>

Phoenix Contact USA
586 Fulling Mill Road
Middletown, PA 17057, United States
(+717) 944-1300
info@phoenixcon.com