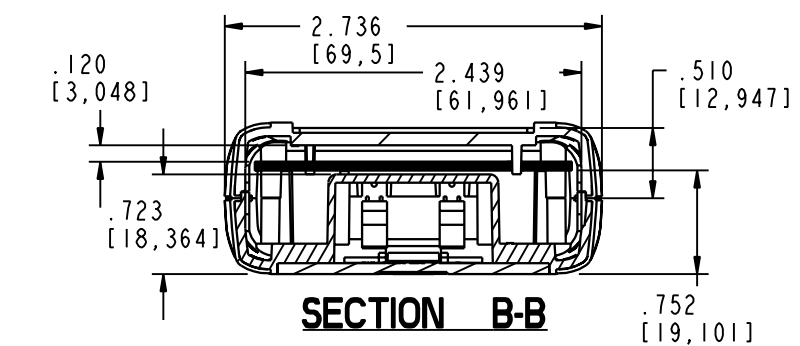
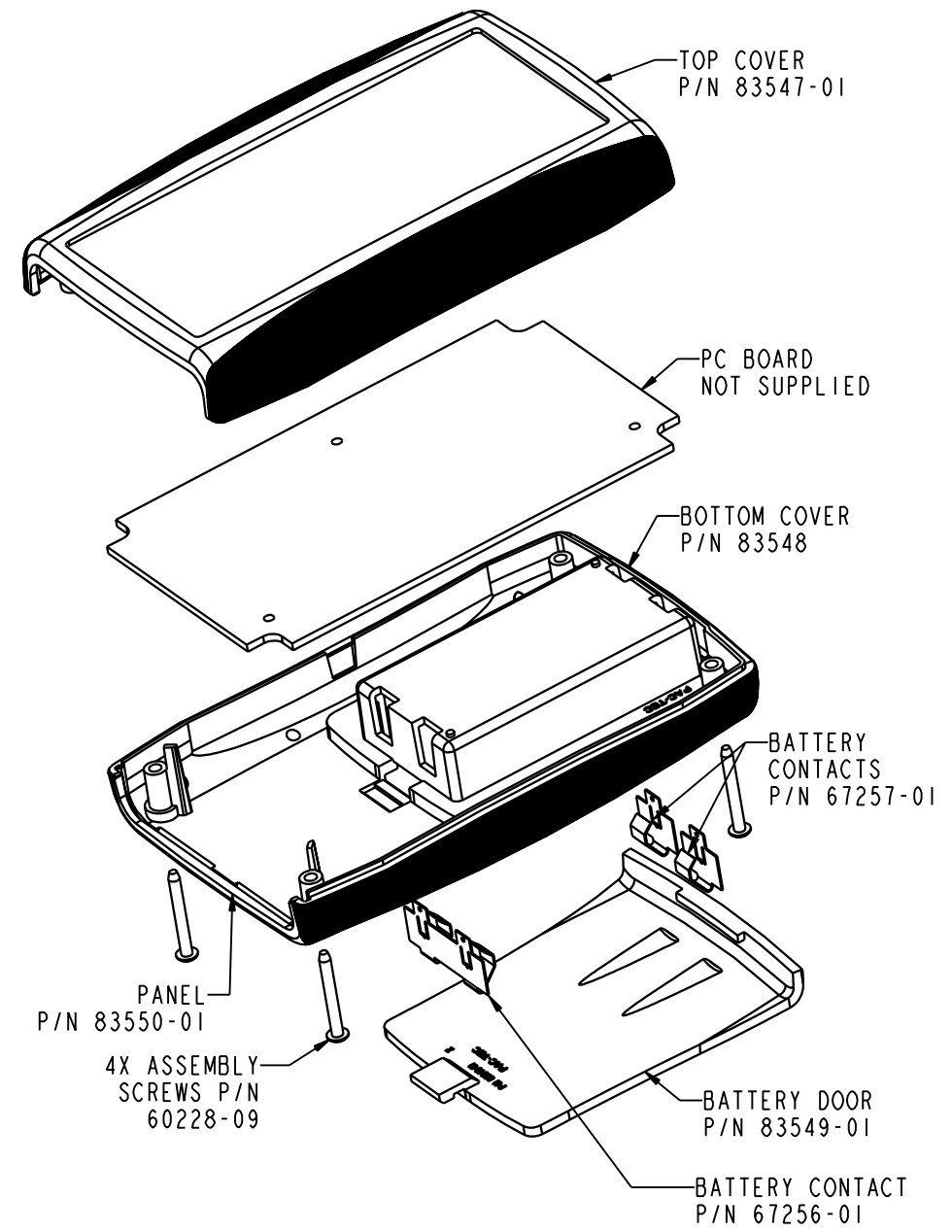
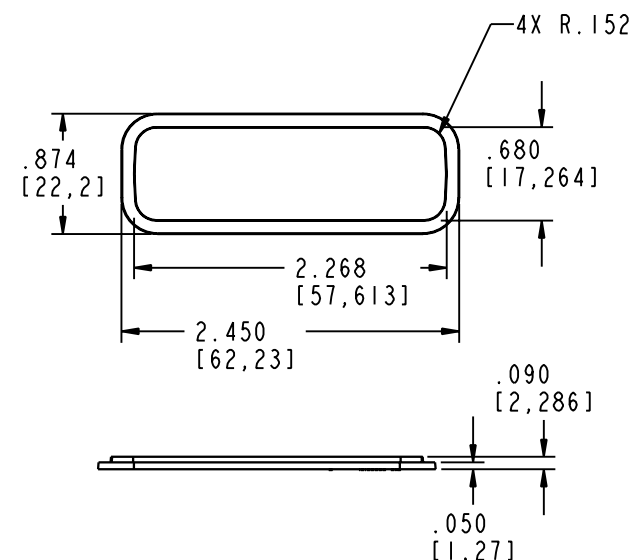
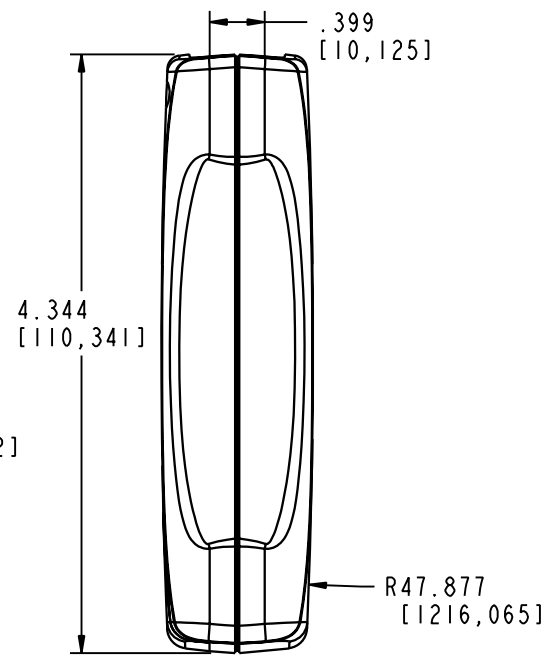
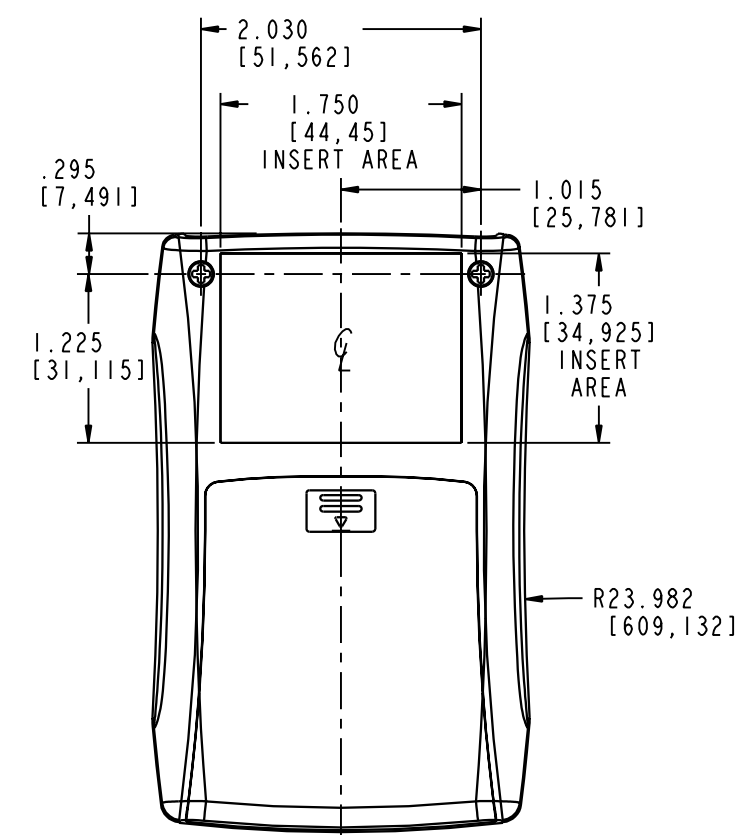
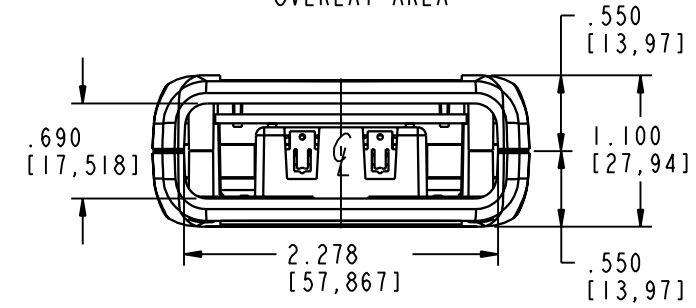
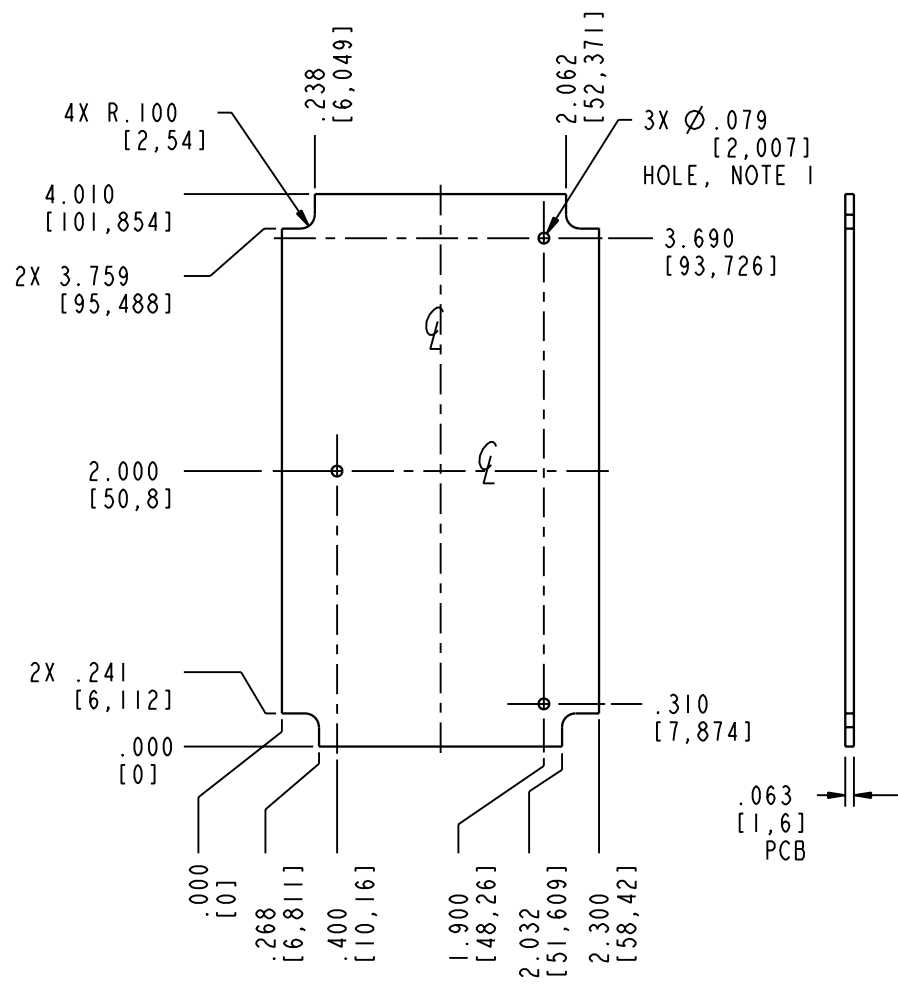


SECTION A-A



SECTION B-B



- NOTE:
1. PL 83556-510-... FOR ASSY WITH EBONY (PMS BLACK C) RUBBER TRIM.
PL 83777-510-... FOR ASSY WITH DARK GRAY (PMS #431) RUBBER TRIM.
 2. PC BOARD IS TRAPPED IN UNIT AND IS ALIGNED ON 3 Ø.066 PINS.

PACNTEC[®]
1-610-361-4231

PPL-2AA

VISIT **PACNTEC**[®]
ON THE WORLD WIDE WEB
www.pactecenclosures.com

COLOR / MATERIAL CODE		
COLOR	94HB	94VO
LT GRAY	508	308

DRAWING NUMBER	REV
83551	E

Mouser Electronics

Authorized Distributor

Click to View Pricing, Inventory, Delivery & Lifecycle Information:

PacTec:

[83556-510-508 PPL-2AA Gray w/ Black](#) [83777-510-508 PPL-2AA Gray w/ Dark Gray](#)