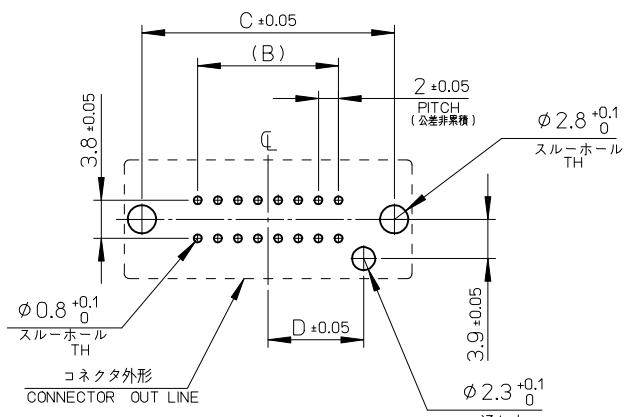
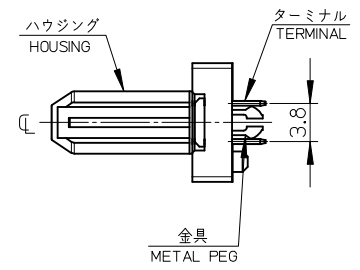
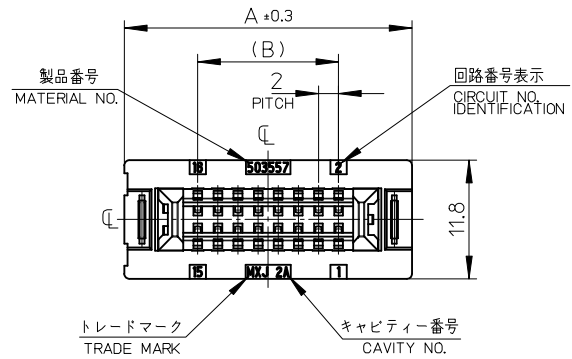


注記:
NOTES

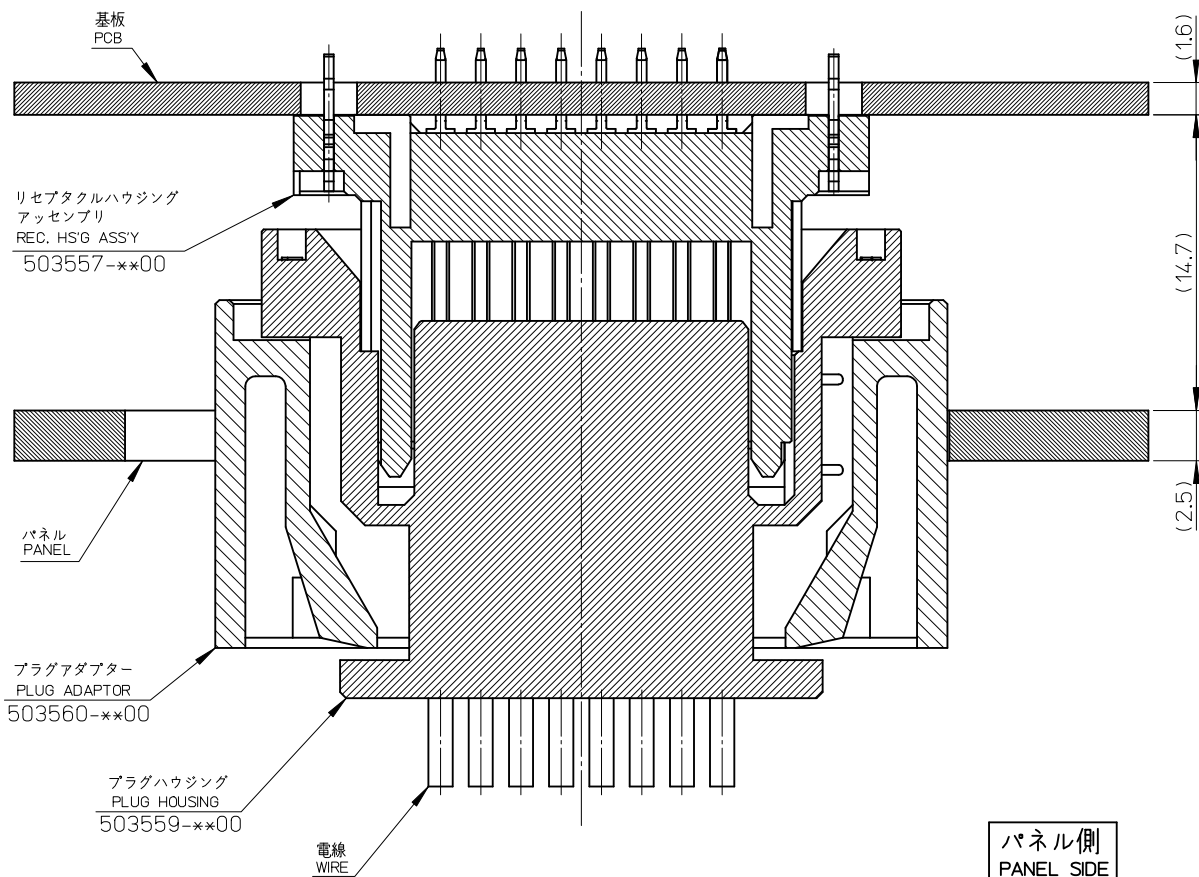
1. 材質
MATERIAL
ハウジング: ポリブチレンテレフタレート (PBT)、ガラス充填、UL94V-0、黒色
HOUSING: POLYBUTYLENE TEREPHTHALATE (PBT), GLASS FILLED, UL94V-0, BLACK
ターミナル: 銅合金 (セ=0.5)
TERMINAL: COPPER ALLOY (t=0.5)
金具: りん青銅 (セ=0.48)
METAL PEG: PHOSPHOR BRONZE (t=0.48)
2. メッキ仕様
FINISHES
ターミナル
TERMINAL
接点部: ニッケル下地金メッキ
CONTACT AREA: GOLD OVER NICKEL PLATING.
金メッキ 0.1 マイクロメートル以上
GOLD 0.1 MICROMETERS MINIMUM
ニッケル下地メッキ 1.0 マイクロメートル以上
NICKEL 1.0 MICROMETERS MINIMUM
半田付け部: ニッケル下地メッキ
SOLDER TAIL: TIN OVER NICKEL PLATING
錫メッキ 1.0 マイクロメートル以上
TIN 1.0 MICROMETERS MINIMUM
ニッケル下地メッキ 1.0 マイクロメートル以上
NICKEL 1.0 MICROMETERS MINIMUM
金具: ニッケル下地メッキ
METAL PEG: TIN OVER NICKEL PLATING
錫メッキ 1.0 マイクロメートル以上
TIN 1.0 MICROMETERS MINIMUM
ニッケル下地メッキ 1.0 マイクロメートル以上
NICKEL 1.0 MICROMETERS MINIMUM
3. 嵌合相手: 503559-**00
MATING CONNECTOR: 503559-**00
4. 製品仕様及び取り扱いについては、製品仕様書PS-503557-001及び、コネクタ取扱説明書AS-503557-001を参照願います。
PLEASE REFER TO PRODUCTS SPECIFICATION PS-503557-001 AND USER'S MANUAL AS-503557-001.
5. ELV及びRoHS適合品。
ELV AND RoHS COMPLIANT.



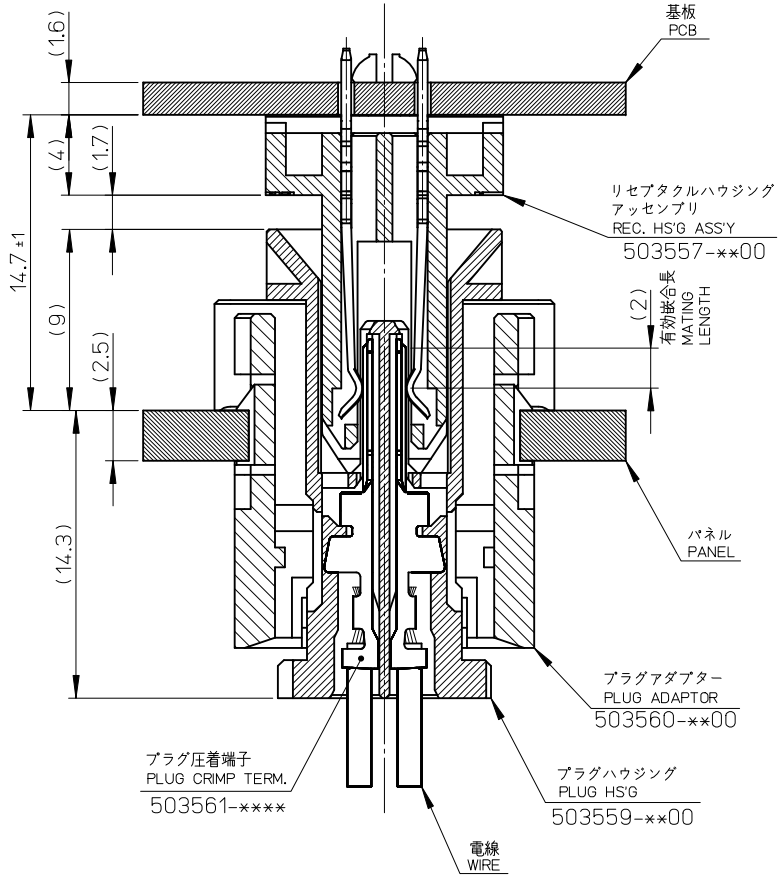
10.5	27.1	16	30.6	503557-1800	503557-**00	18
9.5	25.1	14	28.6	503557-1600		16
8.5	23.1	12	26.6	503557-1400		14
7.5	21.1	10	24.6	503557-1200		12
D	C	B	A	TRAY PACKAGE オーダー番号 ORDER No.	MODEL NO.	極数 CIRCUITS

REVISED EC NO: J2016-0130 DRWN: YAJI MAO1 2015/07/27 CHKD: KASAKAWA 2015/08/05 APPR: NUKITA 2015/08/25	GENERAL TOLERANCES (UNLESS SPECIFIED)		DIMENSION STYLE MM ONLY		SCALE 2:1	DESIGN UNITS METRIC	THIRD ANGLE PROJECTION
	0.25 UNDER	±0.03	DRAWN BY	DATE	TITLE		
	0.25 OVER 0.5 UNDER	±0.05	KKOBAYASHI	2010/04/22	2.0 FLOATING CONN. REC. HS'G ASS'Y		
	0.5 OVER 1.0 UNDER	±0.1	CHECKED BY	DATE	molex		
1.0 OVER 10 UNDER	±0.2	SSAT003	2010/04/22	APPROVED BY	DATE	DOCUMENT NO.	
10 OVER 30 UNDER	±0.25	NUKITA	2010/05/24	MATERIAL NO.		SHEET NO.	
30 OVER	±0.3	ANGULAR ±3 °		SEE CHART		SD-503557-001	
DRAFT WHERE APPLICABLE MUST REMAIN WITHIN DIMENSIONS		SIZE A3	THIS DRAWING CONTAINS INFORMATION THAT IS PROPRIETARY TO MOLEX INCORPORATED AND SHOULD NOT BE USED WITHOUT WRITTEN PERMISSION				

基板側
PCB SIDE



パネル側
PANEL SIDE



嵌合図
SCALE 4:1

SEE SHEET 1 EC NO.: J2016-0130 DRWN: YAJI MAO1 2015/07/27 CHKD: KASAKAWA 2015/08/05 APPR: NUKITA 2015/08/25	GENERAL TOLERANCES (UNLESS SPECIFIED)		DIMENSION STYLE MM ONLY	SCALE 2:1	DESIGN UNITS METRIC	THIRD ANGLE PROJECTION
	0.25 UNDER	± 0.03	DRAWN BY KKOBAYASHI	DATE 2010/04/22	TITLE 2.0 FLOATING CONN. REC. HS'G ASS'Y	
	0.25 OVER 0.5 UNDER	± 0.05	CHECKED BY SSAT003	DATE 2010/04/22		
	0.5 OVER 1.0 UNDER	± 0.1	APPROVED BY NUKITA	DATE 2010/05/24		
1.0 OVER 10 UNDER	± 0.2	MATERIAL NO.	DOCUMENT NO.	SHEET NO.		
10 OVER 30 UNDER	± 0.25	SEE SHEET 1	SD-503557-001	2 OF 2		
30 OVER	± 0.3	THIS DRAWING CONTAINS INFORMATION THAT IS PROPRIETARY TO MOLEX INCORPORATED AND SHOULD NOT BE USED WITHOUT WRITTEN PERMISSION				
ANGULAR ±3 °	DRAFT WHERE APPLICABLE MUST REMAIN WITHIN DIMENSIONS					