

## L05050 LEDlight 1- 6.5 Watt 700mA

### Features

The L05050 LEDlight is a 1 – 6.5 Watt LED driver with a 700mA current setting.

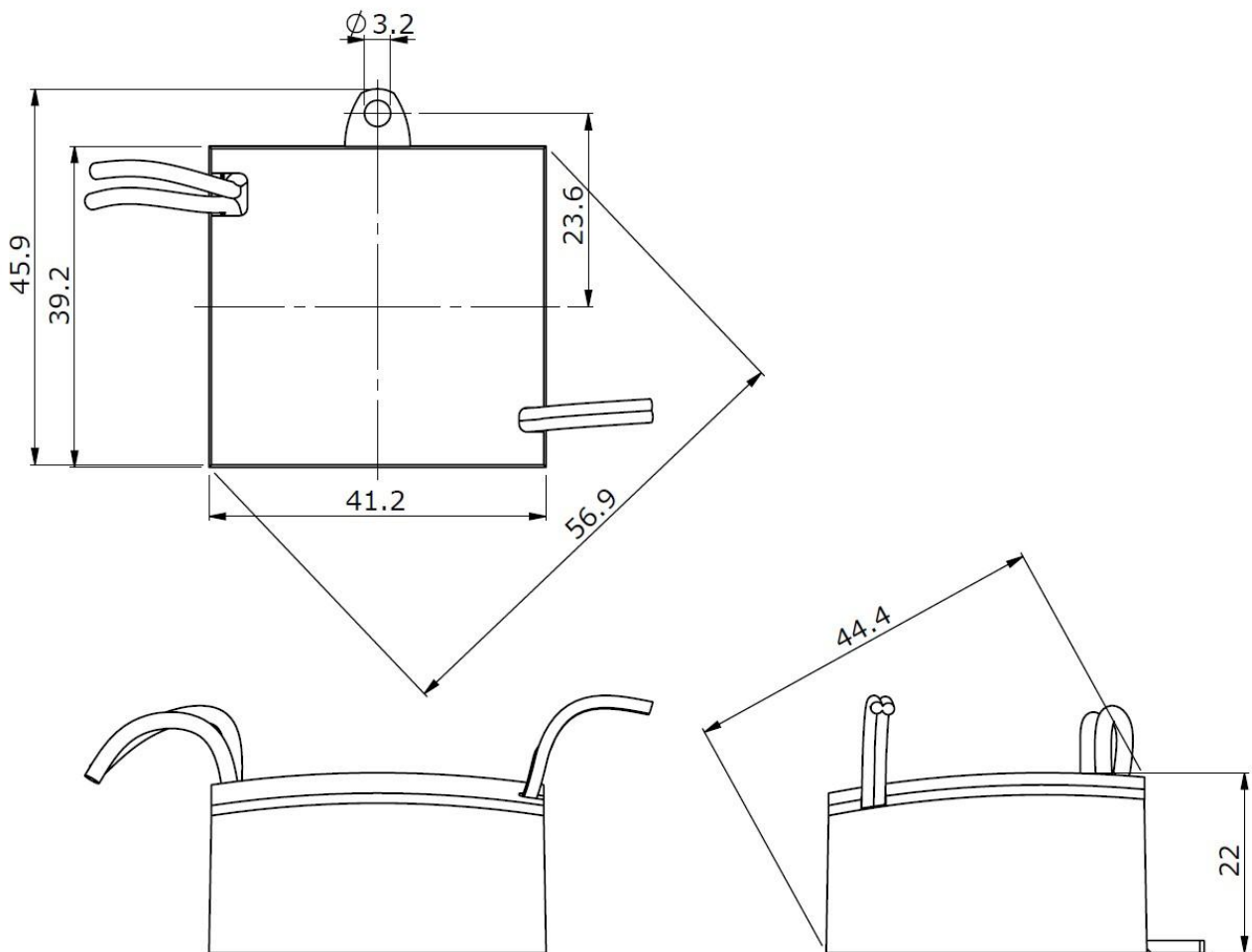
### Specifications

<b>System input voltage nominal</b>	115-240Vac	
<b>System input voltage range</b>	115-240Vac	
<b>System input frequency</b>	50/60 Hz	
<b>System input power</b>	10VA max.	
<b>Output current</b>	700mA	
<b>Operating voltage output</b>	12Vdc Max	
<b>Driver efficiency</b>	76%	
<b>Power factor</b>	0.91C	
<b>Nominal line current</b>	115V: 850mA 240V: 430mA	
<b>Output power</b>	115V: 6 Watt 240V: 7 Watt	
<b>Number of led's</b>	Input Voltage 230V	Input Voltage 115V
	1-3 LEDs @ 3.2V FV	1-3 LEDs @ 3.2V FV
	1-3 LEDs @ 3.5V FV	1-3 LEDs @ 3.5V FV
	1-2 LEDs @ 4.0V FV	1-2 LEDs @ 4.0V FV
<b>LED type</b>	Current ( $U_{nom}$ 230-240Vac)	
<b>Dimmer type</b>	Not dimmable	
<b>Open circuit voltage</b>	13Vdc	
<b>Short circuit protection</b>	Yes	
<b>Open circuit protection</b>	Yes	
<b>Overvoltage protection</b>	Yes	
<b>Load voltage setting time</b>	1 second	
<b>Thermal protection</b>	Yes, against overheating	
<b>Output current overshoot</b>	No	
<b>Output isolation</b>	Yes, SELV EQ	
<b>Ambient temperature range</b>	0 + 45°C	
<b>Leads primary</b>	0.5 mm <sup>2</sup> Length: 100mm	
<b>Leads secondary</b>	0.22 mm <sup>2</sup> Length: 100mm	
<b>Lead connection method</b>	Lumoluce connector	
<b>Mounting method</b>	Screw	
<b>Weight</b>	39 gram	
<b>Case colour</b>	Grey	
<b>Maximum case temperature (Tc)</b>	< 80° C	
<b>Storage temperature range</b>	-20 +50° C	
<b>Case dimensions</b>	45.9 x 41.2 x 22 mm	
<b>Approvals</b>	CE	
<b>Complies with standards</b>	EN61547, EN55015, EN61000-3-2, EN62384, EN61347-2-13, EN61347-1	



L05050 LEDlight 1- 6.5 Watt 700mA

Technical drawings



**Order**

L05050 LEDlight 1-6.5 Watt 700mA      L05050

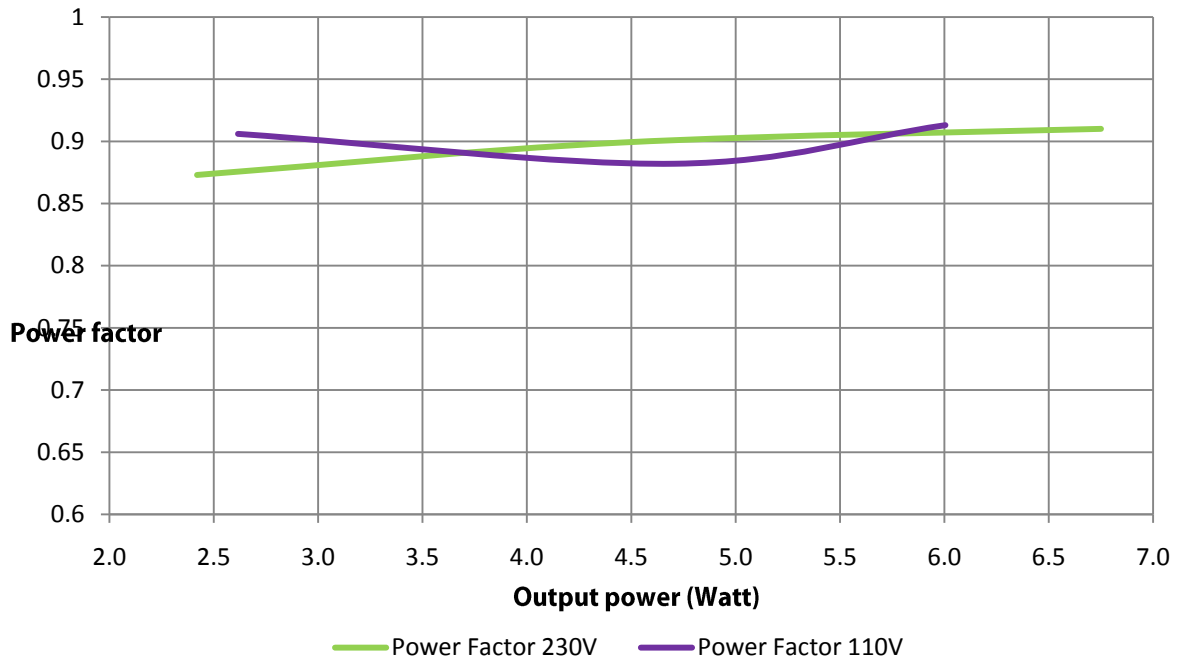
**Disclaimer**

©2011, Lumotech Holland B.V. All rights reserved. Designs and specifications may change without prior notice.

L05050 LEDlight 1- 6.5 Watt 700mA

Technical specifications

Power factor @ 700mA



Efficiency @ 700mA

