

Product Compliance

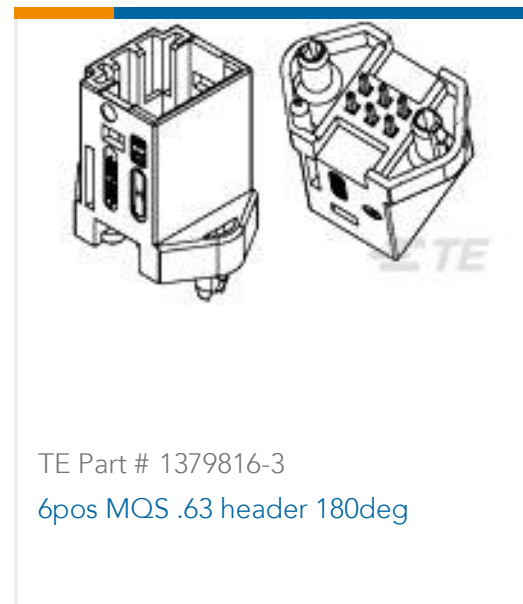
[For compliance documentation, visit the product page on TE.com>](#)

EU RoHS Directive 2011/65/EU	Compliant
EU ELV Directive 2000/53/EC	Compliant
China RoHS 2 Directive MIIT Order No 32, 2016	No Restricted Materials Above Threshold
EU REACH Regulation (EC) No. 1907/2006	Current ECHA Candidate List: JUNE 2024 (241) Candidate List Declared Against: JUNE 2024 (241) Does not contain REACH SVHC
Halogen Content	BFR/CFR/PVC Free, but Br/Cl >900 ppm in other sources.
Solder Process Capability	Not reviewed for solder process capability

Product Compliance Disclaimer

This information is provided based on reasonable inquiry of our suppliers and represents our current actual knowledge based on the information they provided. This information is subject to change. The part numbers that TE has identified as EU RoHS compliant have a maximum concentration of 0.1% by weight in homogenous materials for lead, hexavalent chromium, mercury, PBB, PBDE, DBP, BBP, DEHP, DIBP, and 0.01% for cadmium, or qualify for an exemption to these limits as defined in the Annexes of Directive 2011/65/EU (RoHS2). Finished electrical and electronic equipment products will be CE marked as required by Directive 2011/65/EU. Components may not be CE marked. Additionally, the part numbers that TE has identified as EU ELV compliant have a maximum concentration of 0.1% by weight in homogenous materials for lead, hexavalent chromium, and mercury, and 0.01% for cadmium, or qualify for an exemption to these limits as defined in the Annexes of Directive 2000/53/EC (ELV). Regarding the REACH Regulation, the information TE provides on SVHC in articles for this part number is based on the latest European Chemicals Agency (ECHA) 'Guidance on requirements for substances in articles' posted at this URL: <https://echa.europa.eu/guidance-documents/guidance-on-reach>

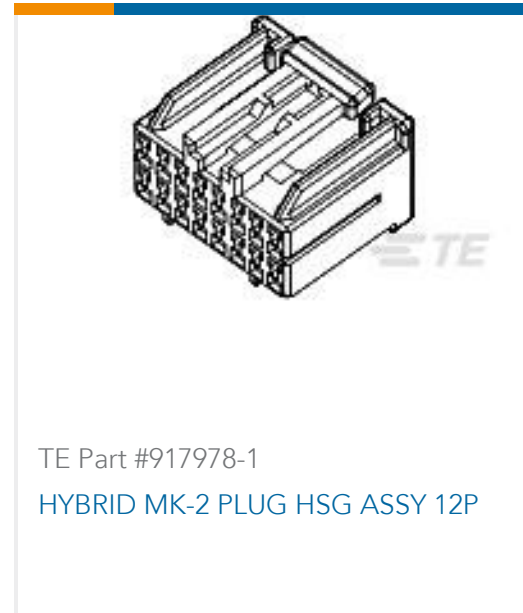
Compatible Parts



Customers Also Bought



TE Part #185311-1
6POS MQS REC



TE Part #917978-1
HYBRID MK-2 PLUG HSG ASSY 12P



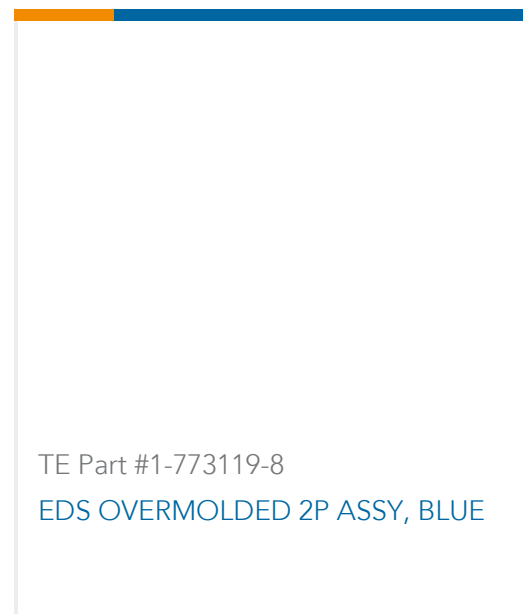
TE Part #929937-1
TIMER, RECEPTACLE AND TAB



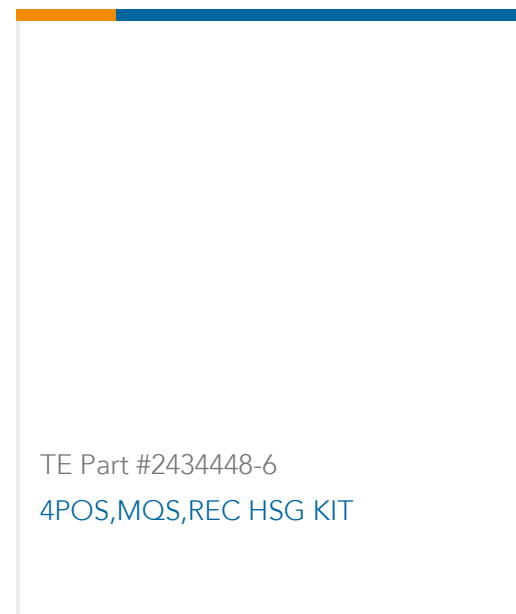
TE Part #173645-1
070 TAB CONT 16-20



TE Part #1241374-1
AMP MCP 1.5K, CONTACT



TE Part #1-773119-8
EDS OVERMOLDED 2P ASSY, BLUE



TE Part #2434448-6
4POS, MQS, REC HSG KIT



TE Part #40-0206-000-P00
923 INSULATION INSERT, 6-PIN

Documents

Product Drawings

COVER FOR 6W HSG MQS GEN2

English

CAD Files

Customer View Model

[ENG_CVM_953382-3_A.3d_igs.zip](#)

English

Customer View Model

[ENG_CVM_953382-3_A.3d_stp.zip](#)

English

Customer View Model

[ENG_CVM_953382-3_A.2d_dxf.zip](#)

English

3D PDF

English

By downloading the CAD file I accept and agree to the [Terms and Conditions](#) of use.

Product Specifications

Product Specification

English

Instruction Sheets

6 VOIES MQS GENE II

English

Instruction Sheet (non U.S.)



English