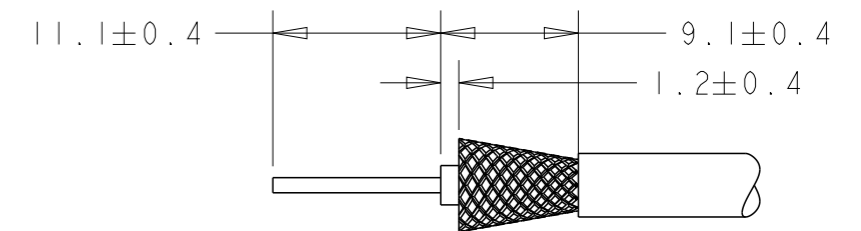
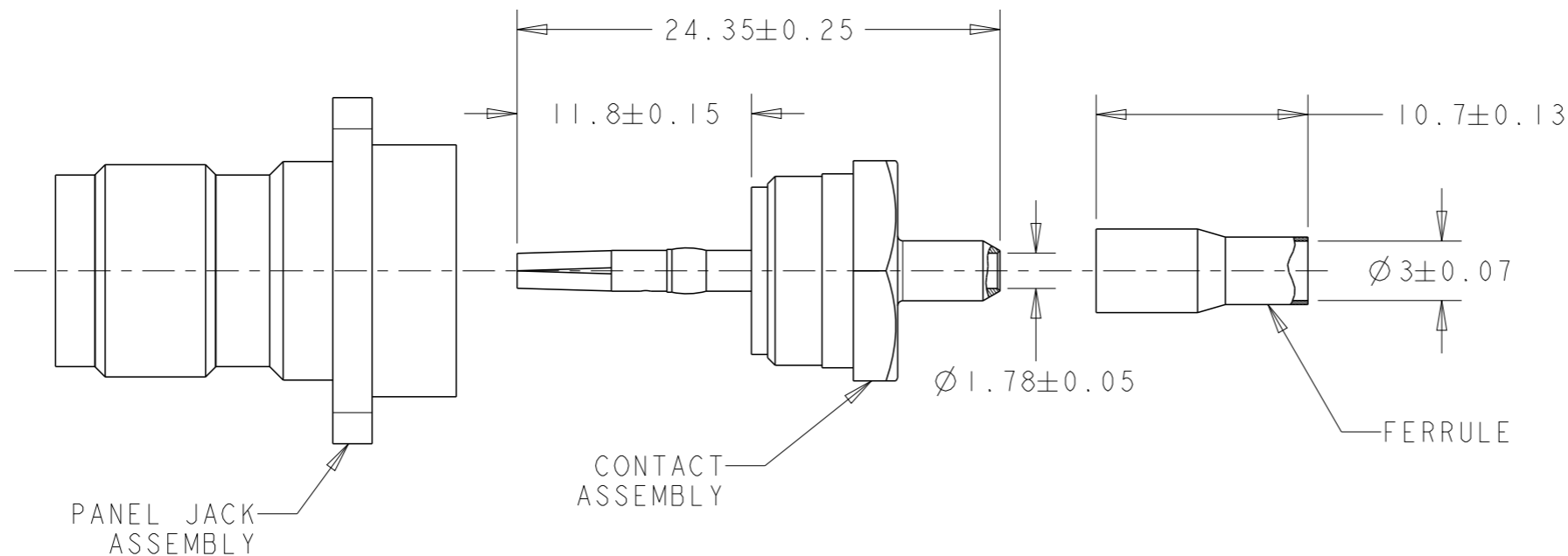


WARNING - THIS DOCUMENT CONTAINS TECHNOLOGY WHOSE EXPORT IS RESTRICTED BY THE EXPORT ADMINISTRATION REGULATIONS ("EAR") PURSUANT TO 15 C.F.R. PARTS 730-774. VIOLATIONS OF THE EAR ARE SUBJECT TO SEVERE CRIMINAL PENALTIES UNDER THE EXPORT CONTROL REFORM ACT, AS AMENDED (TITLE 50, U.S.C., SEC. 4801, ET SEQ.).

| P | LTR | DESCRIPTION           | DATE      | DWN | APVD |
|---|-----|-----------------------|-----------|-----|------|
|   | A   | FIRST ISSUE           | 18/06/08  | MJG | JA   |
|   | B   | REV PER ECN-24-277243 | 05AUG2024 | LP  | JG   |
|   |     |                       |           |     |      |
|   |     |                       |           |     |      |



RECOMMENDED CABLE PREPARATION

| COMPONENT      | MATERIAL                                   | FINISH   |
|----------------|--|--|
| CRIMP FERRULE  | COPPER OR BRASS ALLOY<br>ROCKWELL B 45 MAX | SILVER PLATE<br>PER ASTM B700  |
| SEALS          | SILICONE RUBBER<br>PER A-A-59588           | N/A  |
| SHELLS         | BRASS PER ASTM B16                         | SILVER PLATE<br>PER ASTM B700  |
| FEMALE CONTACT | BeCu PER ASTM B196                         | GOLD PLATE PER<br>ASTM B488 OVER<br>NICKEL PLATE PER<br>SAE-AMS-QQ-N-290 |
| DIELECTRICS    | PTFE FLUOROCARBON<br>PER ASTM-D-1457       | N/A  |

|         |            |             |
|---------|------------|-------------|
| 476410  | 69710-1    | 131197      |
| DIE SET | CRIMP TOOL | PART NUMBER |

NOTES:

- FOR USE WITH RG174, RG188, KX3 & KX22 CABLE
- INSTRUCTION SHEET 408-1799-1

THIS DRAWING IS A CONTROLLED DOCUMENT.

| DIMENSIONS: | TOLERANCES UNLESS OTHERWISE SPECIFIED: |
|-------------|--|
| mm          |  |
|             | 0 PLC ±0.5                             |
|             | 1 PLC ±0.5                             |
|             | 2 PLC ±0.5                             |
|             | 3 PLC ±0.5                             |
|             | 4 PLC ±0.5                             |
|             | ANGLES ±0.5                            |
| MATERIAL    | FINISH                                 |
| -           | -                                      |
| -           | -                                      |

|                  |            |           |
|------------------|------------|-----------|
| DWN              | M. GREENER | 18JUN2008 |
| CHK              | J. AMBROSE | 18JUN2008 |
| APVD             | J. AMBROSE | 18JUN2008 |
| PRODUCT SPEC     | 108-12001  |           |
| APPLICATION SPEC | -          |           |
| WEIGHT           | -          |           |
| CUSTOMER DRAWING |            |           |

|   |           |            |               |
|---|-----------|------------|---------------|
| TE Connectivity                                   |           |            |               |
| NAME<br>TNC JACK, 4 HOLE FLANGE<br>MOUNT ASSEMBLY |           |            |               |
| SIZE  | CAGE CODE | DRAWING NO | RESTRICTED TO |
| A3  | 00779     | 131197     | -             |
| SCALE   |           | SHEET      | REV           |
| 3:1   |           | 1 OF 1     | B             |