

MATERIALS AND FINISHES:

BODY ZINC ALLOY
SEE TABLE

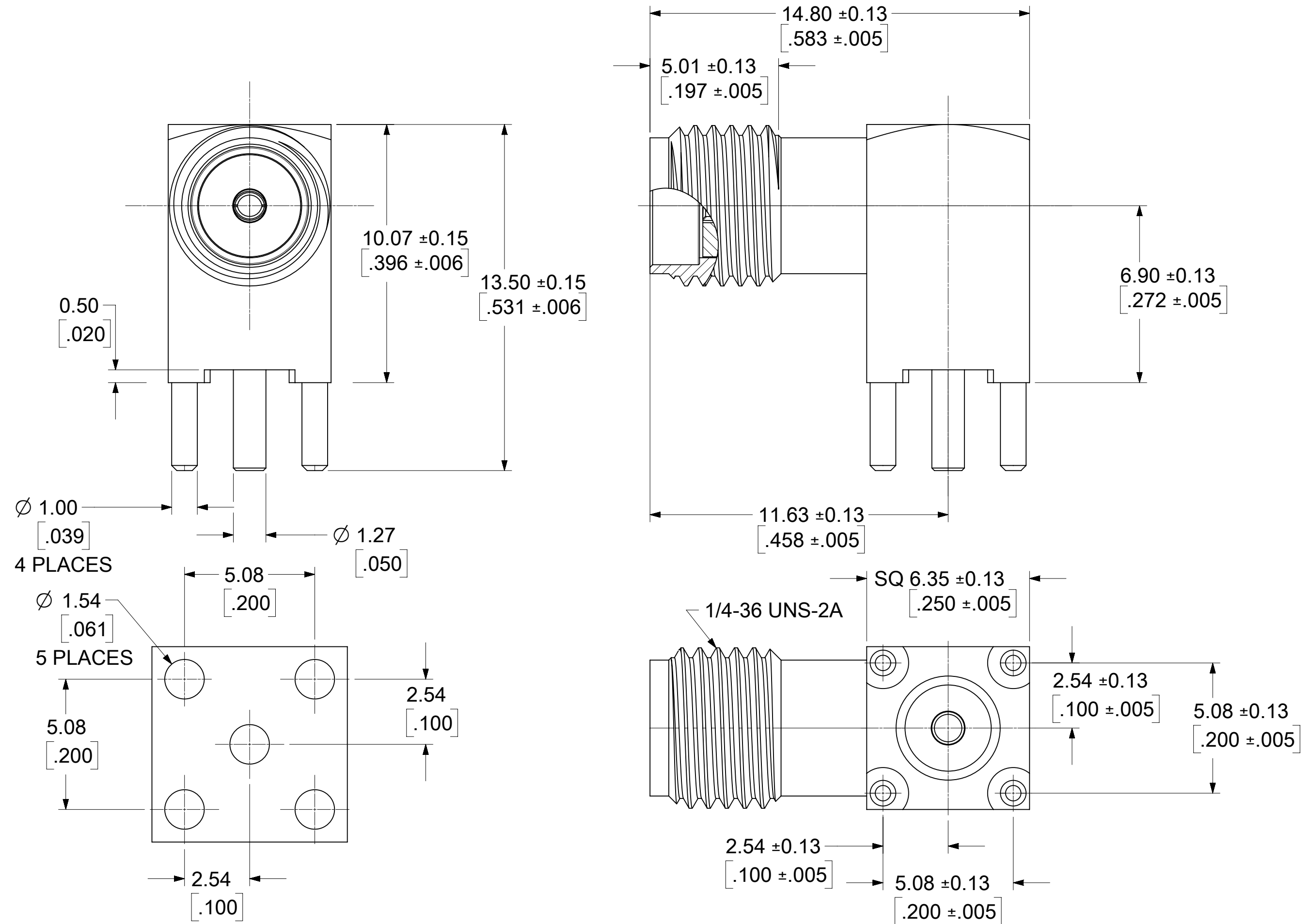
INSULATOR TEFLON

CONTACT (MATING END) BERYLLIUM COPPER
PLATED GOLD

CONTACT (PCB END) BRASS
PLATED GOLD

COVER BRASS
SEE TABLE

PACKAGING SEE TABLE



73391-0085	BODY, PIN AND COVER PLATED GOLD 1u" MIN	73391-0083 BAG (500 SET.)
73391-0084	BODY AND COVER PLATED NICKEL	73391-0080 BAG (500 SET.)
73391-0083	BODY, PIN AND COVER PLATED GOLD 1u" MIN	73391-0083 TRAY (80 CAV.)
73391-0082	BODY AND COVER PLATED NICKEL	73391-0080 TRAY (20 CAV.)
73391-0081	BODY, PIN AND COVER PLATED GOLD 10u" MIN	73391-0081 TRAY (80 CAV.)
73391-0080	BODY AND COVER PLATED NICKEL	73391-0080 TRAY (80 CAV.)
PART NO.	DESCRIPTION	PACKAGING

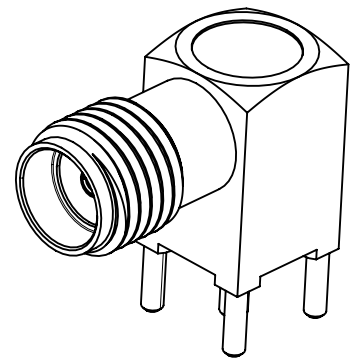
PS-89675-346	PRODUCT SPECIFICATION
MIL-STD-348A, FIG. 310.2	INTERFACE
SPECIFICATION	DESCRIPTION

FUNCTIONAL SYMBOLS	THIS DRAWING CONTAINS INFORMATION THAT IS PROPRIETARY TO MOLEX ELECTRONIC TECHNOLOGIES, LLC AND SHOULD NOT BE USED WITHOUT WRITTEN PERMISSION		
MM/INCH	SCALE	CURRENT REV DESC: CHG PS TO PS-89675-346 PER EWR15816-A	
NTS			
GENERAL TOLERANCES (UNLESS SPECIFIED)	EC NO: 748205		
ANGULAR TOL ± 2.0°	DRWN: CWEI02 2023/04/25		
4 PLACES ±	CHK'D: YCHENG 2023/05/22		
3 PLACES ±	APPR: YCHENG 2023/05/22		
2 PLACES ±	INITIAL REVISION:		
1 PLACE ±	DRWN: RFC_PLMIMP 2018/01/09		
0 PLACES ±	APPR: MHUANG 2006/08/29		
DRAFT WHERE APPLICABLE MUST REMAIN WITHIN DIMENSIONS	THIRD ANGLE PROJECTION	DRAWING	SERIES
		C-SIZE	73391
DOCUMENT NUMBER		DOC TYPE	DOC PART
SD-73391-008		PSD	001
MATERIAL NUMBER		CUSTOMER	REVISION
SEE TABLE		GENERAL MARKET	A10
DOCUMENT STATUS		SHEET NUMBER	
P1		1 OF 4	

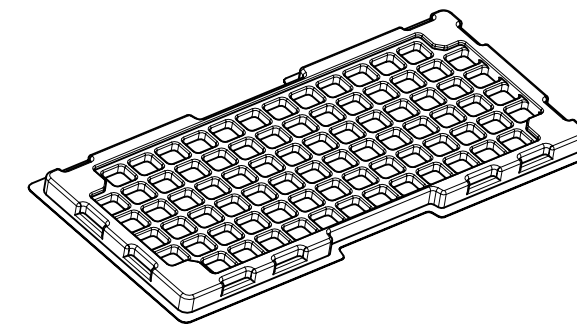
molex

SMA JACK R/A
PCB TH 50 OHMS SMA-J/PCB

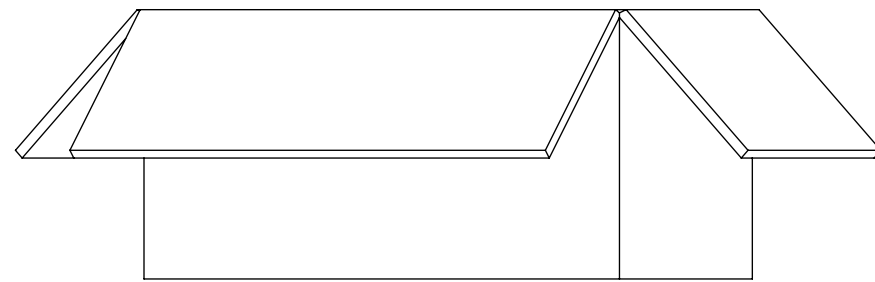
PRODUCT CUSTOMER DRAWING



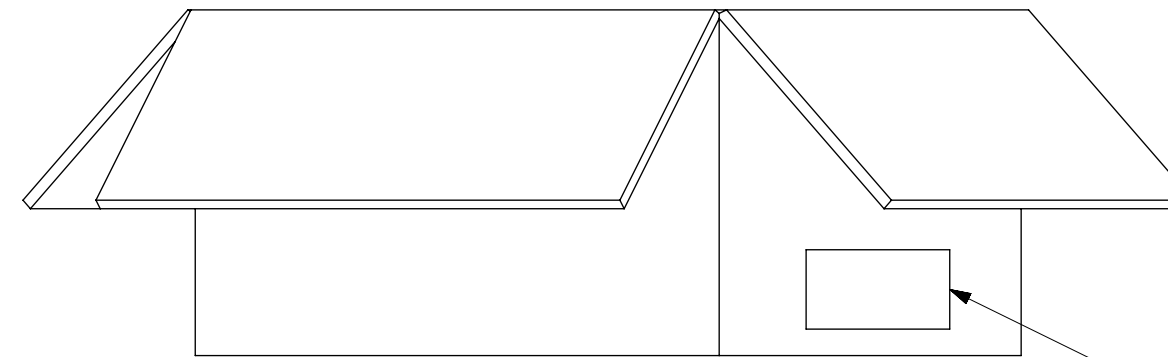
P/N 73391-0080
73391-0081
73391-0083



80 SETS PER TRAY
TRAY P/N 89707-0190
(L361mm X W167 mm)



1760 SETS PER INNER CARTON BOX
P/N 96707-0001
MAXIMUM OUTSIDE DIMENSION
(L370.94mm X W183.94mm X D191.87mm)



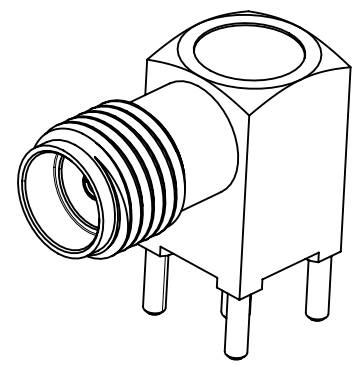
3520 SETS PER OUTER CARTON BOX
P/N 96708-0005
MAXIMUM OUTSIDE DIMENSION
(L393.94mm X W390.92mm X D211.89mm)

LABEL
(SEE DETAIL A)

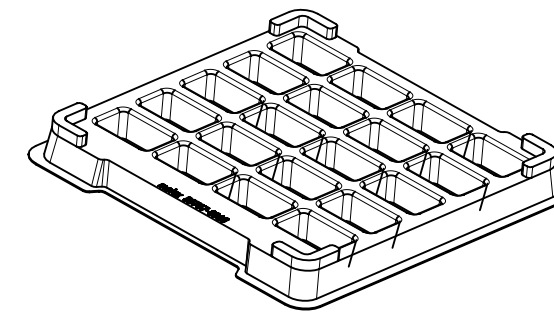
1	PART NO
2	DESCRIPTION
3	QUANTITY
4	COUNTRY OF ORIGIN
5	INV CTRL DATE
6	LOT NUMBER
7	ENVIRONMENT INFORMATION
8	DATE CODE

1	(1P) PART NUMBER 0733910083	(9D) DATE CODE 2047	8
2	DESCRIPTION SMA RA JACK, PCB	molex www.molex.com	
3	(Q) QUANTITY 3520		
4	(4L) MADE IN Taiwan	QR CODE	
5	(12D) INV CTRL DATE 2020/11/16		
6	(1T) TRACEABILITY 000846200927		
7	RoHS Compliant with Exemption REACH SVHC information - see www.molex.com Low-Halogen		
1 of 1		OPERATOR: 20.11.16	
MOLEX TAIWAN LTD. / DANSHUI, NEW TAIPEI CITY, TAIWAN 25144			

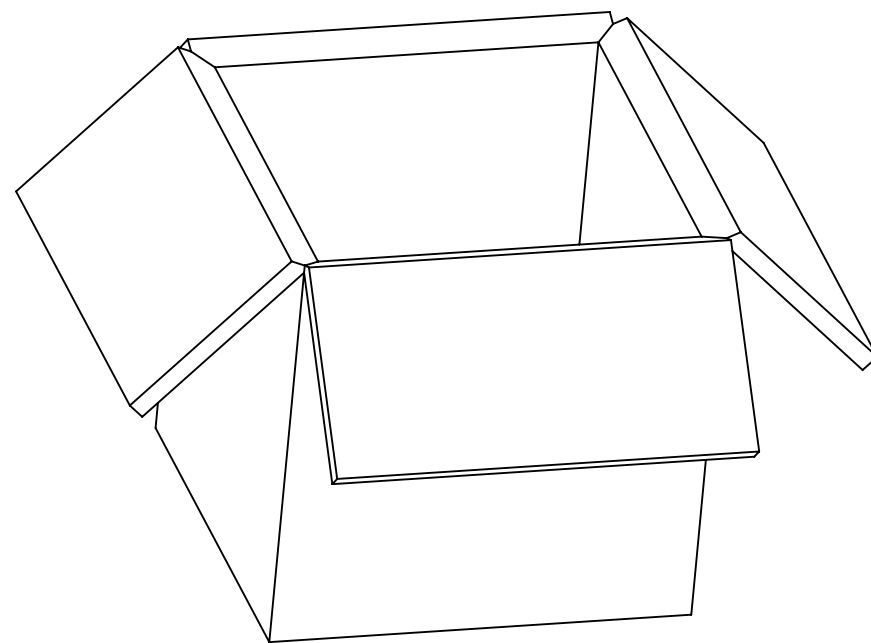
FUNCTIONAL SYMBOLS	THIS DRAWING CONTAINS INFORMATION THAT IS PROPRIETARY TO MOLEX ELECTRONIC TECHNOLOGIES, LLC AND SHOULD NOT BE USED WITHOUT WRITTEN PERMISSION						
	DIMENSION UNITS	SCALE	CURRENT REV DESC: CHG PS TO PS-89675-346 PER EWR15816-A				
$\frac{F}{A} = 0$	MM/INCH	NTS		SMA JACK R/A PCB TH 50 OHMS SMA-J/PCB			
$\frac{E}{C} = 0$	GENERAL TOLERANCES (UNLESS SPECIFIED)						
$\frac{E}{P} = 0$	ANGULAR TOL $\pm 2.0^\circ$			PRODUCT CUSTOMER DRAWING			
DIVISIONAL SYMBOLS	4 PLACES	\pm	EC NO: 748205				
	3 PLACES	\pm	DRWN: CWEI02 2023/04/25	SD-73391-008			
	2 PLACES	\pm	CHK'D: YCHENG 2023/05/22				
	1 PLACE	\pm	APPR: YCHENG 2023/05/22	DOCUMENT NUMBER: SD-73391-008 DOC TYPE: PSD DOC PART: 001 REVISION: A10			
	0 PLACES	\pm	INITIAL REVISION: 2018/01/09				
	DRAFT WHERE APPLICABLE MUST REMAIN WITHIN DIMENSIONS		DRWN: RFC_PLMIMP 2018/01/09	MATERIAL NUMBER: 73391 CUSTOMER: GENERAL MARKET SHEET NUMBER: 2 OF 4			
	THIRD ANGLE PROJECTION		APPR: MHUANG 2006/08/29				
		DRAWING	SERIES				
		C-SIZE	73391				



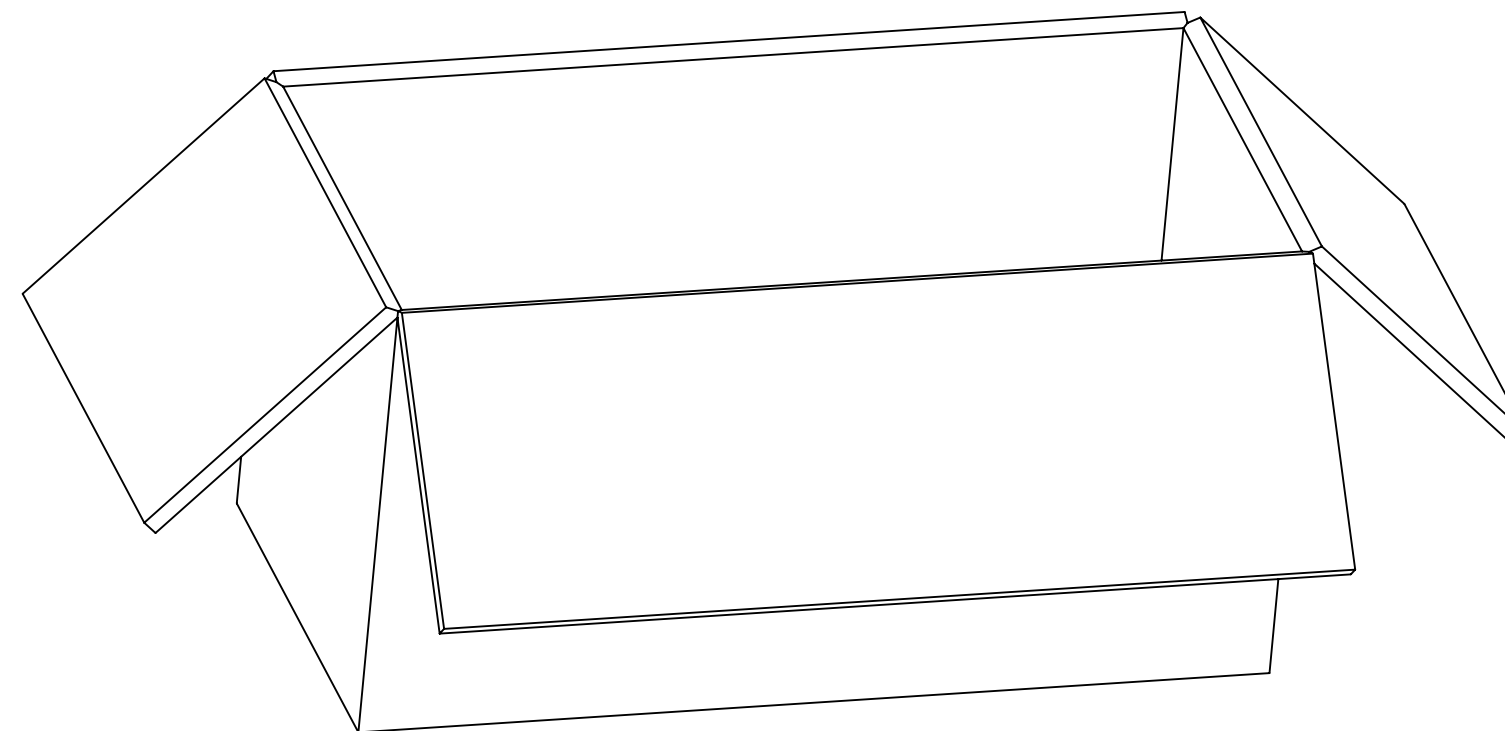
PART NO: 73391-0082



20 SETS PER TRAY
P/N: 89707-0308



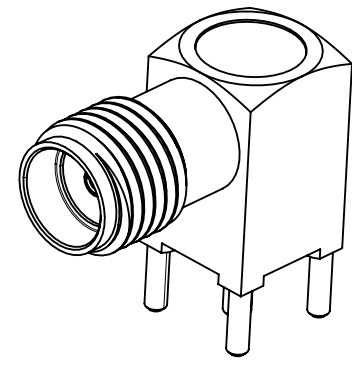
200 SETS PER INNER
CARTON BOX
P/N: 96707-0005



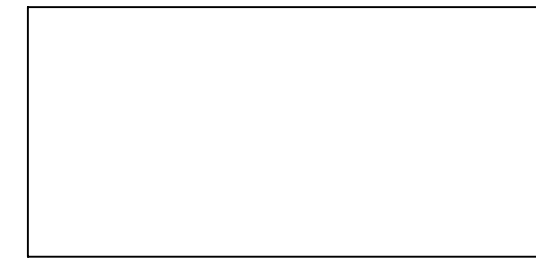
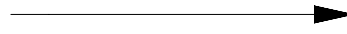
400 SETS PER OUTER
CARTON BOX
P/N: 96707-0002

FUNCTIONAL SYMBOLS										THIS DRAWING CONTAINS INFORMATION THAT IS PROPRIETARY TO MOLEX ELECTRONIC TECHNOLOGIES, LLC AND SHOULD NOT BE USED WITHOUT WRITTEN PERMISSION													
DIMENSION UNITS		SCALE		CURRENT REV DESC: CHG PS TO PS-89675-346 PER EWR15816-A																			
MM/INCH		NTS																					
GENERAL TOLERANCES (UNLESS SPECIFIED)										EC NO: 748205													
ANGULAR TOL ± 2.0°										DRWN: CWEI02 2023/04/25													
4 PLACES ±										CHK'D: YCHENG 2023/05/22													
3 PLACES ±										APPR: YCHENG 2023/05/22													
2 PLACES ±										INITIAL REVISION:													
1 PLACE ±										DRWN: RFC_PLMIMP 2018/01/09													
0 PLACES ±										APPR: MHUANG 2006/08/29													
DRAFT WHERE APPLICABLE MUST REMAIN WITHIN DIMENSIONS										THIRD ANGLE PROJECTION		DRAWING		SERIES		DOCUMENT NUMBER		DOC TYPE		DOC PART		REVISION	
				C-SIZE		73391		SD-73391-008		PSD		001		A10									
				MATERIAL NUMBER				CUSTOMER				SHEET NUMBER											
				GENERAL MARKET				3 OF 4															

DOCUMENT STATUS	P1	RELEASE DATE	2023/05/22	01:28:12
-----------------	----	--------------	------------	----------



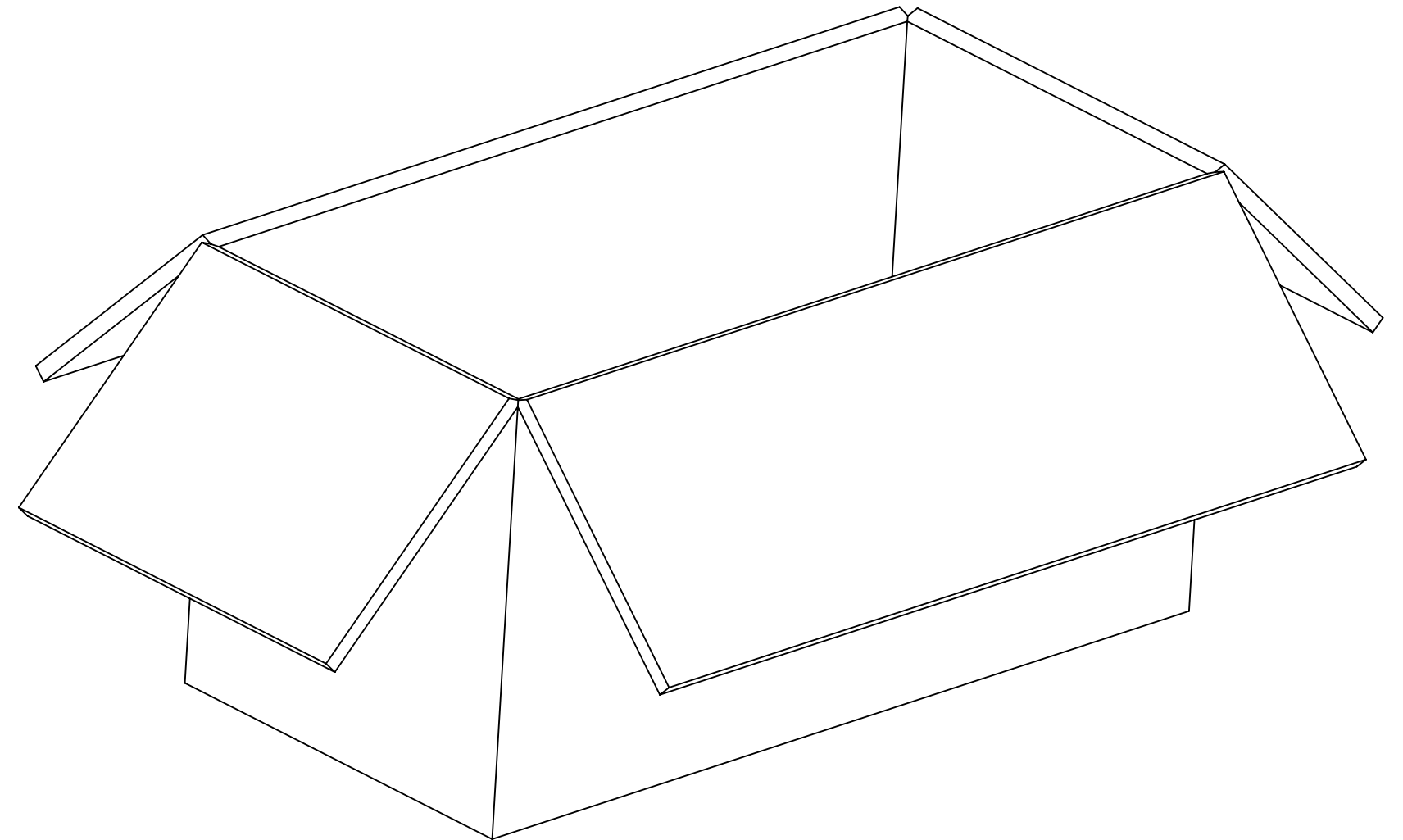
PART NO: 73391-0084 & 73391-0085



1 SET PER POLYBAG
P/N: 89707-0317



50 SET PER POLYBAG
P/N: 89707-0176



500 SET PER OUTER CARTON BOX
P/N: 96707-0002

LABEL WITH EACH BAG
FOR 73391-0084

MOLEX P/N: 73391-0084
DATE: YYWW

LABEL WITH EACH BAG
FOR 73391-0085

MOLEX P/N: 73391-0085
DATE: YYWW

FUNCTIONAL SYMBOLS	THIS DRAWING CONTAINS INFORMATION THAT IS PROPRIETARY TO MOLEX ELECTRONIC TECHNOLOGIES, LLC AND SHOULD NOT BE USED WITHOUT WRITTEN PERMISSION										
	DIMENSION UNITS	SCALE	CURRENT REV DESC: CHG PS TO PS-89675-346 PER EWR15816-A							molex	
$\frac{F}{A} = 0$	MM/INCH	NTS	GENERAL TOLERANCES (UNLESS SPECIFIED)								
$\frac{E}{C} = 0$	ANGULAR TOL $\pm 2.0^\circ$		4 PLACES \pm				EC NO: 748205		2023/04/25		
$\frac{E}{P} = 0$	3 PLACES \pm		2 PLACES \pm		1 PLACE \pm		0 PLACES \pm		2023/05/22		
DIVISIONAL SYMBOLS	DRAFT WHERE APPLICABLE MUST REMAIN WITHIN DIMENSIONS		THIRD ANGLE PROJECTION		DRAWING		SERIES		DOCUMENT NUMBER		
					C-SIZE		73391		SD-73391-008		
									DOC TYPE DOC PART REVISION		
									PSD 001 A10		
									MATERIAL NUMBER CUSTOMER SHEET NUMBER		
									GENERAL MARKET 4 OF 4		