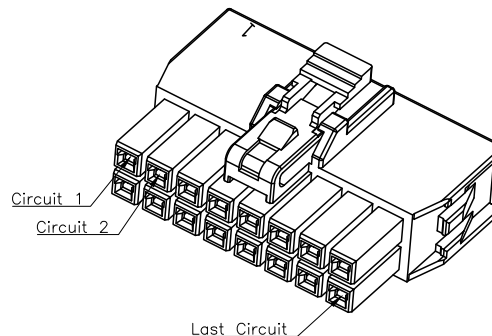
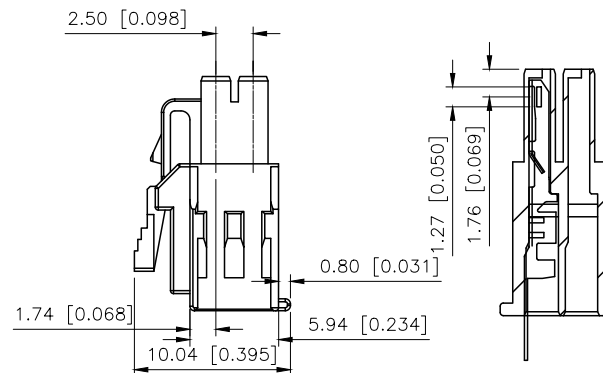
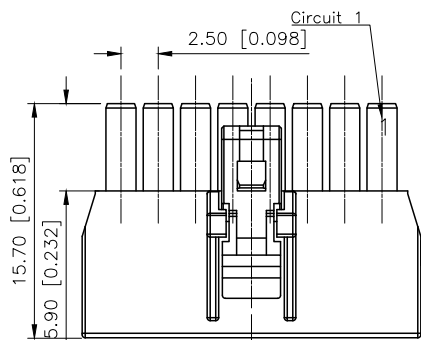


REVISIONS					
REV.	ECN NO.	LOCATION	DESCRIPTION	DATE	DESIGN
A0	N/A		INITIAL RELEASE	/	/
A1	N/A		图面升级整理图面	2025.2.10	阿树

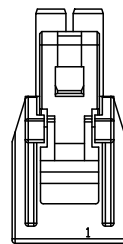
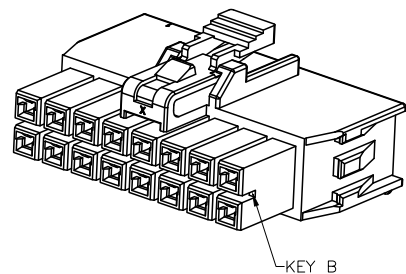
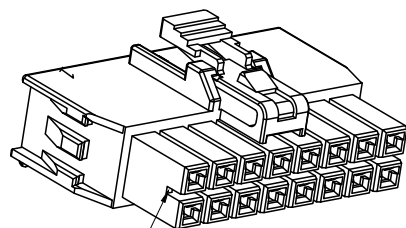
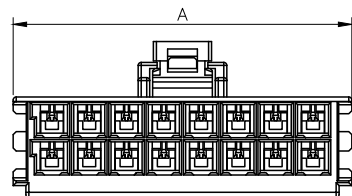


Specifications:  
 规格:  
 Voltage rating:250V AC/DC  
 额定电压: 250V AC/DC  
 Current rating:4A AC/DC  
 额定电流: 4A AC/DC  
 Withstanding voltage:1500V AC/minute  
 耐受电压: 1500V AC/分钟  
 Temperature range:-40°C+125°C  
 温度范围: -40°C+125°C  
 Insulation resistance:1000MΩ min  
 绝缘电阻: 1000MΩ Min  
 Contact resistance:30mΩ Max  
 接触电阻: 30mΩ Max

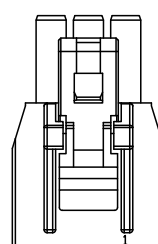
PART NO.:

X2513 H-2xXX X-46  
 ① ② ③ ④ ⑤

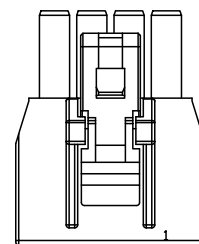
- ①Series No
- ②Category:H-HSG
- ③Row No.Pin No:2xXX-2x02~2x12 Pin
- ④Special No: A:Key A (Black)  
B:Key B (Natural)
- ⑤Material:46-Nylon 46+30%G.F UL94V-0



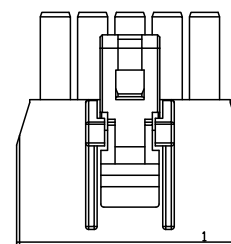
2x02 Pin



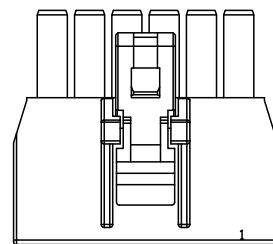
2x03 Pin



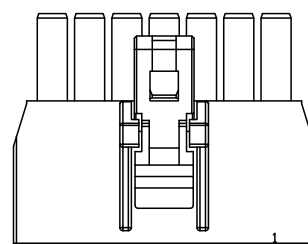
2x04 Pin



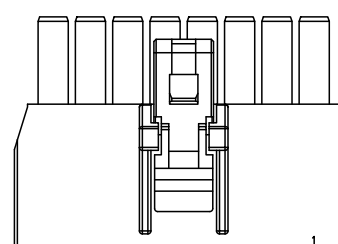
2x05 Pin



2x06 Pin



2x07 Pin



2x08 Pin

Poles	Dimensions(mm)	
	A	
2x02	7.70	
2x03	10.20	
2x04	12.70	
2x05	15.20	
2x06	17.70	
2x07	20.20	
2x08	22.70	
2x12	32.70	

X2513H-2xXXA-46	Nylon 46+30%G.F	X2513W	X2513T
X2513H-2xXXB-46			
PART NO	Material	Suitable XKB Wafer	Suitable XKB Terminal

AuGLAR	±5°
X.	±0.40
X.x	±0.30
X.xx	±0.20
X.xxx	±0.15
UNSPECIFIED TOLERANCES	



DESIGN	阿树	VIEW:		MODEL TYPE: 2.50mm Crimp Style Connector
CHECKED		UNIT:	mm/in	PART NO.: X2513H-2xXXX-46
APPROVED		SIZE:	A4	DWG NO.: