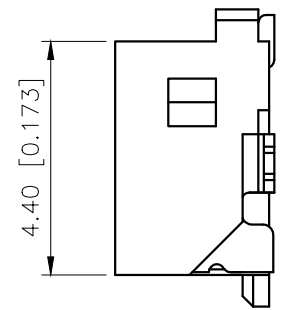
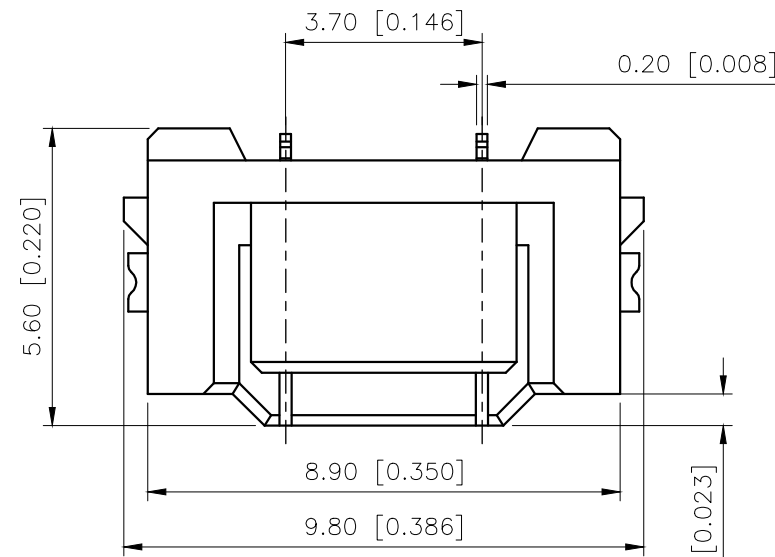


REVISIONS					
REV.	ECN NO.	LOCATION	DESCRIPTION	DATE	DESIGN
A0	N/A		INITIAL RELEASE	/	/
A1	N/A		图面升级整理图面	2025.2.28	阿树

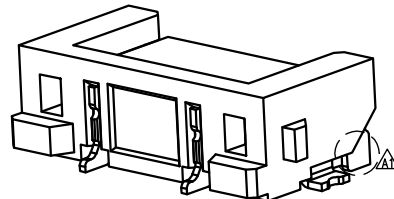
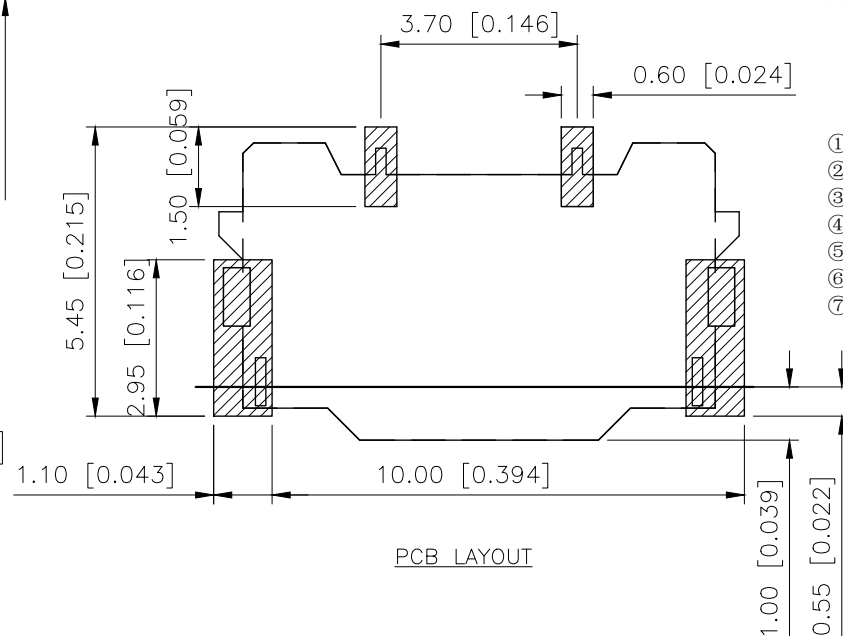
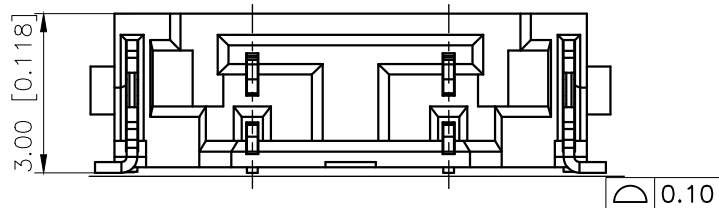


Specifications:
 Voltage rating:500V AC/DC
 Current rating:2A AC/DC
 Withstanding voltage:1500V AC/minute
 Temperature range: -40 ~85°C
 Insulation resistance:≥1000MΩ
 Contact resistance:≤40mΩ
 After environmental testing:≤80mΩ

PART NO.:

X3700 W F-02 HF-LP SN
 ① ② ③ ④ ⑤ ⑥ ⑦

- ①Series Number.
- ②Category:W-Wafer
- ③Welding Board Angle:F-Female
- ④Row No.-Pin No.:02-Single Row
- ⑤Plug the Pin&Special No.:HF-Halogen Free
- ⑥Material:LP-LCP 94V-0
- ⑦Plating Category:SN-Bright Tin Plating



X3700WF-02HF-LPSN	LCP UL 94V-0 Halogen Free	Phosphor Bronze	Tin-Plated	Phosphor Bronze	Tin-Plated	X3700WM
PART NO	Material	Material(Pin)	Finish(Pin)	Material (Solder Tab)	Finsh (Solder Tab)	Mates With Housing

AuGLAR	±5°
X.	±0.40
X.x	±0.30
X.xx	±0.20
X.xxx	±0.15
UNSPECIFIED TOLERANCES	



DESIGN	阿树	VIEW:	
CHECKED		UNIT:	mm/in
APPROVED		SIZE:	A4

MODEL TYPE:	3.70mm BTB Style Connectors
PART NO.:	X3700WF-02HF-LPSN
DWG NO.:	

XKB INDUSTRIAL PRECISION CO.,LIMITED

SCALE	PAGE	REVISION
N/A	1/1	A1