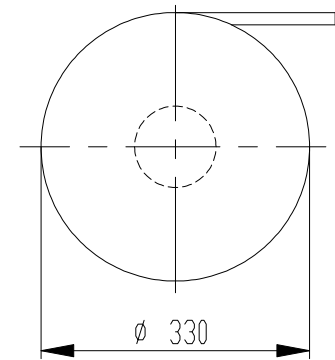
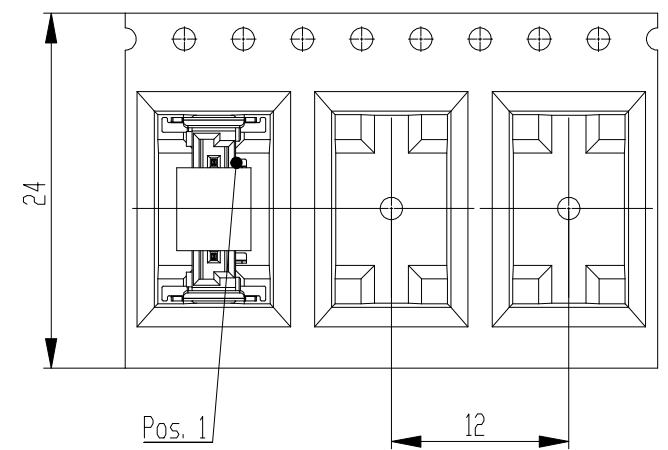


Verpackt im Gurt in Anlehnung an DIN IEC 60286-3
 tape on reel packaging according to DIN IEC 60286-3
 Verpackungseinheit: 650 Stück
 packaging unit: 650 pcs



Abspulrichtung - reel off direction



Leiterplatten-Layout für SMT
 PCB-Layout for SMT

Anforderungsstufe 1
 performance level 1
 Kontaktbereich vergoldet
 mating area gold plating
 Anschlussbereich verzinkt 4-6 µm
 terminal area 4-6 µm tin plating
 Koplanarität der Anschlüsse ≤ 0,1 mm
 coplanarity area of termination ≤ 0,1 mm

*vergrößerte Löt pads
 *enlarged solder pads

Verteilerrechte vorbehalten. Alle Rechte für den Fall der Patent-, Gebrauchsmuster- oder Geschmucksmustererträge vorbehalten.
 The reproduction, distribution and utilization of this document as well as the communication of its contents to others without express authorization is prohibited. Infringers will be held liable for the payment of damages. All rights reserved in the event of the grant of a patent, utility model or design.
 Die deutsche Version dieser Zeichnung dient nur zur Erleichterung der Übersetzung. Bei Abweichungen von dem englischen Original gilt das englische Original.
 The german version of this drawing has been offered for convenience only and may deviate from the english original.
 In case of any deviation the English version shall prevail.

Dimension no.	Tolerances Dim. for Information ISO 8015	All Dimensions in mm	Scale 5:1 Material
Customer drawing: THIS DRAWING IS A CONTROLLED DOCUMENT.	Subject to modification without prior notice. Drawing will not be updated.		ERNI-MiniBridge Male Straight SMT 06p*
f	01.03.2021	TE Connectivity	© 284698-E
Index	Date		I A3
			SRCP