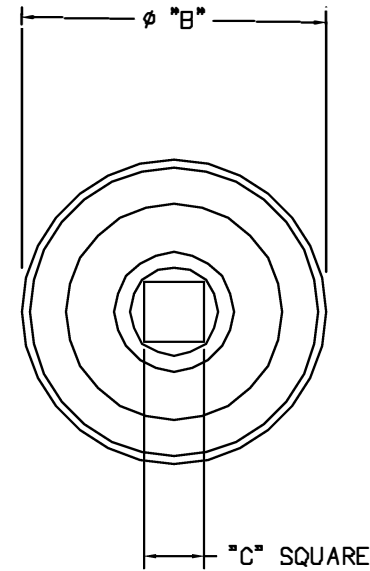
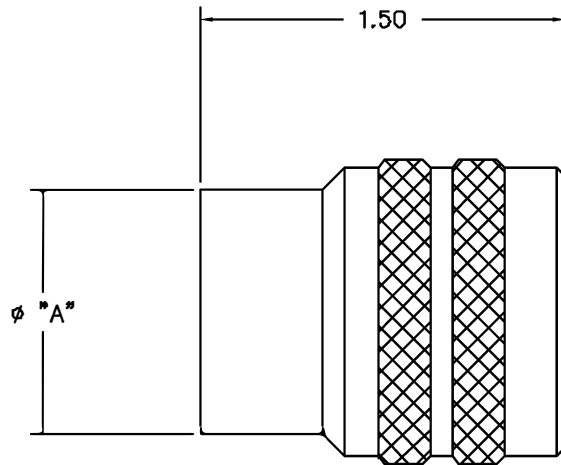


REVISIONS				
REV. STN.	E.C.O. NUMBER	DESCRIPTION	BY DATE	APP'D DATE
1		ORIGINAL RELEASE	D.A.B. 10-20-87	DE 10-87



CM264-24	1.503	1.750	3/8	ALL
CM264-22	1.378	1.625	3/8	ALL
CM264-20	1.253	1.500	3/8	ALL
CM264-18	1.129	1.375	3/8	ALL
CM264-16	1.003	1.250	1/4	ALL
CM264-14	.878	1.125	1/4	ALL
CM264-12	.754	1.000	1/4	ALL
CM264-10	.595	.875	1/4	ALL
CM264-8	.474	.812	1/4	ALL
PART NO.	DIM. "A"	DIM. "B"	DIM. "C"	KEYING POSITIONS

**UNCONTROLLED DOCUMENT
WILL NOT BE UPDATED**

RESTRICTED & CONFIDENTIAL CONFIDENTIAL PROPERTY OF DANIELS MANUFACTURING CORP. NOT TO BE DISCLOSED TO OTHERS, REPRODUCED OR USED FOR ANY OTHER PURPOSE, EXCEPT AS AUTHORIZED IN WRITING BY DANIELS MANUFACTURING. MUST BE RETURNED TO DANIELS MANUFACTURING CORP. ON COMPLETION OF ORDER OR OTHER PURPOSE FOR WHICH LENT.	MATERIAL	ITEM	PART NO.	QTY.	DESCRIPTION/REMARKS
	HEAT TREAT	DRN	D.DEPAIVA	DATE	10/20/87
		CHKD	DE	DATE	10/87
	FINISH	APPL		DATE	
APPL			DATE		
DO NOT SCALE DRAWING					

Mouser Electronics

Authorized Distributor

Click to View Pricing, Inventory, Delivery & Lifecycle Information:

Daniels Manufacturing:

[CM264-10S](#) [CM264-18S](#) [CM264-12S](#) [CM264-12](#) [CM264-20](#) [CM264-24](#) [CM264-22](#) [CM264-24S](#) [CM264-10](#)
[CM264-18](#) [CM264-16S](#) [CM264-8](#) [CM264-14S](#) [CM264-22S](#) [CM264-20S](#) [CM264-14](#) [CM-S-264](#) [CM264-8S](#) [CM264-](#)
[16](#)