

HC-B 24-ADP-B 16-GY - Adapter plate



1660449

<https://www.phoenixcontact.com/us/products/1660449>

Please be informed that the data shown in this PDF document is generated from our online catalog. Please find the complete data in the user documentation. Our general terms of use for downloads are valid.

HEAVYCON adapter plate, type B24 on B16, for panel cutouts of type B24, gray



Commercial data

Item number	1660449
Packing unit	10 pc
Minimum order quantity	1 pc
Sales key	BF66
Product key	BF7AZD
Catalog page	Page 648 (C-4-2015)
GTIN	4017918022082
Weight per piece (including packing)	32.31 g
Weight per piece (excluding packing)	3.27 g
Customs tariff number	39269097
Country of origin	DE

HC-B 24-ADP-B 16-GY - Adapter plate

1660449

<https://www.phoenixcontact.com/us/products/1660449>

Technical data

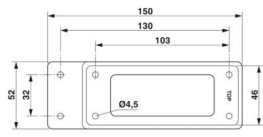
Notes

General	For panel cutouts of type B24, cannot be used for panel mounting bases having a pre-mounted protective cover
General	Cannot be used with HC-STA and HC-EVO housings

Product properties

Product type	Adapter plate
Type	B24

Dimensions

Dimensional drawing	
Width	52 mm
Height	7 mm
Length	150 mm
Drill hole distance, horizontal	130 mm
Drill hole distance, vertical	27 mm
Hole diameter	4.5 mm

Installation dimensions

Width of the assembly cutout	36 mm
Length of the assembly cutout	113 mm

Material specifications

Color	gray
Material	PA
Flammability rating according to UL 94	HB
Seal material	PTS

Environmental and real-life conditions

Ambient conditions

Degree of protection	IP54
Ambient temperature (operation)	-20 °C ... 100 °C

Mounting

Assembly note	Cannot be used in panel mounting bases having a pre-mounted cover
---------------	---

HC-B 24-ADP-B 16-GY - Adapter plate

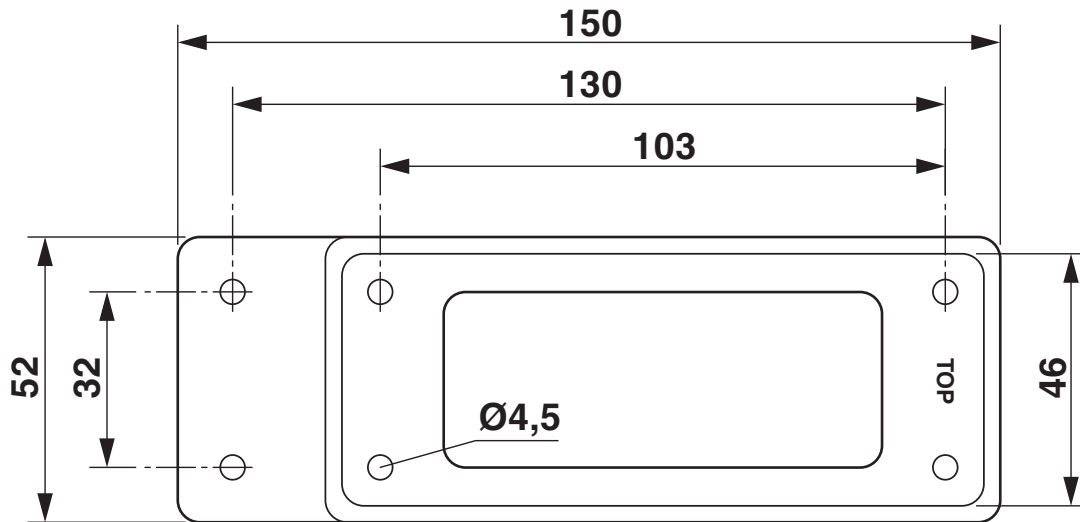


1660449

<https://www.phoenixcontact.com/us/products/1660449>

Drawings

Dimensional drawing



Dimensional drawing

HC-B 24-ADP-B 16-GY - Adapter plate



1660449

<https://www.phoenixcontact.com/us/products/1660449>

Approvals

To download certificates, visit the product detail page: <https://www.phoenixcontact.com/us/products/1660449>



EAC

Approval ID: RU C-DE.AI30.B.01102

HC-B 24-ADP-B 16-GY - Adapter plate



1660449

<https://www.phoenixcontact.com/us/products/1660449>

Classifications

ECLASS

ECLASS-11.0	27440201
ECLASS-12.0	27440201
ECLASS-13.0	27440201

ETIM

ETIM 9.0	EC002309
----------	----------

UNSPSC

UNSPSC 21.0	31261500
-------------	----------

HC-B 24-ADP-B 16-GY - Adapter plate



1660449

<https://www.phoenixcontact.com/us/products/1660449>

Environmental product compliance

EU RoHS

Fulfills EU RoHS substance requirements	Yes, No exemptions
---	--------------------

China RoHS

Environment friendly use period (EFUP)	EFUP-E
	No hazardous substances above the limits

EU REACH SVHC

REACH candidate substance (CAS No.)	No substance above 0.1 wt%
-------------------------------------	----------------------------

Phoenix Contact 2024 © - all rights reserved
<https://www.phoenixcontact.com>

Phoenix Contact USA
586 Fulling Mill Road
Middletown, PA 17057, United States
(+717) 944-1300
info@phoenixcon.com