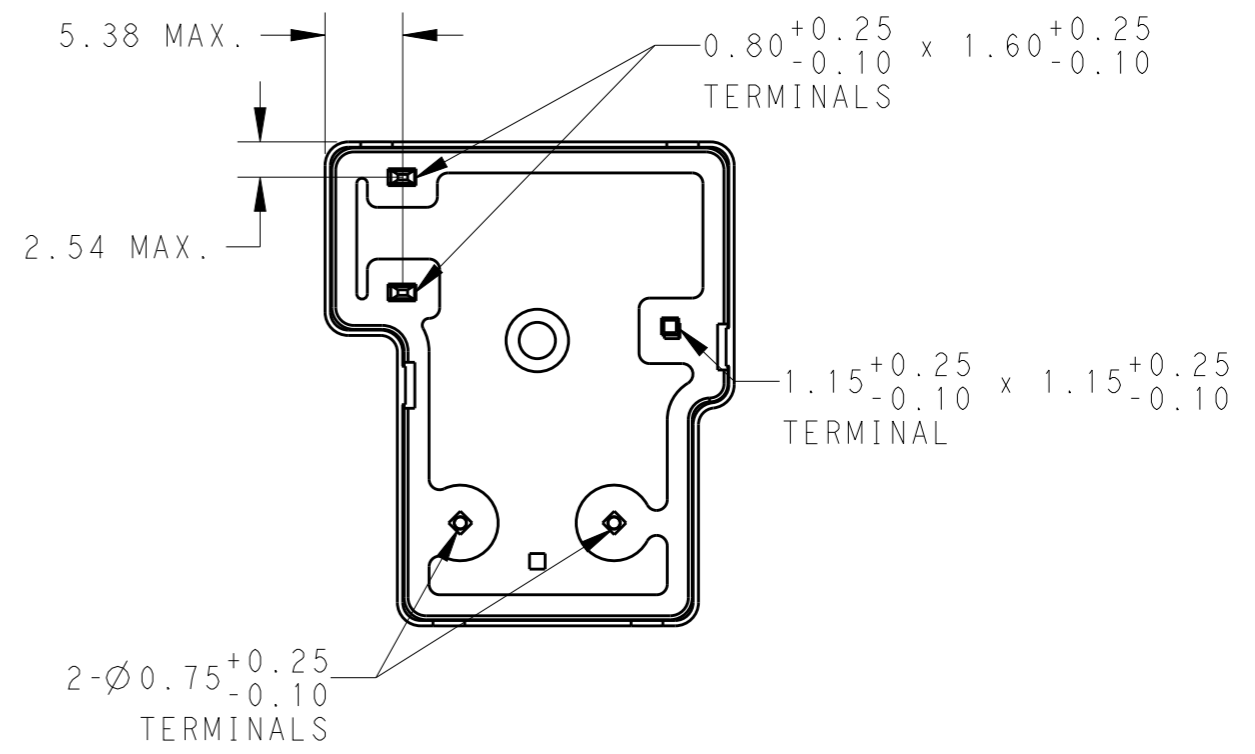
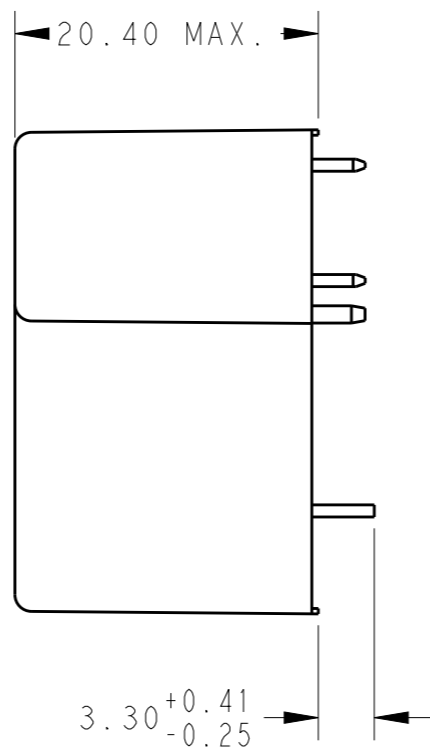
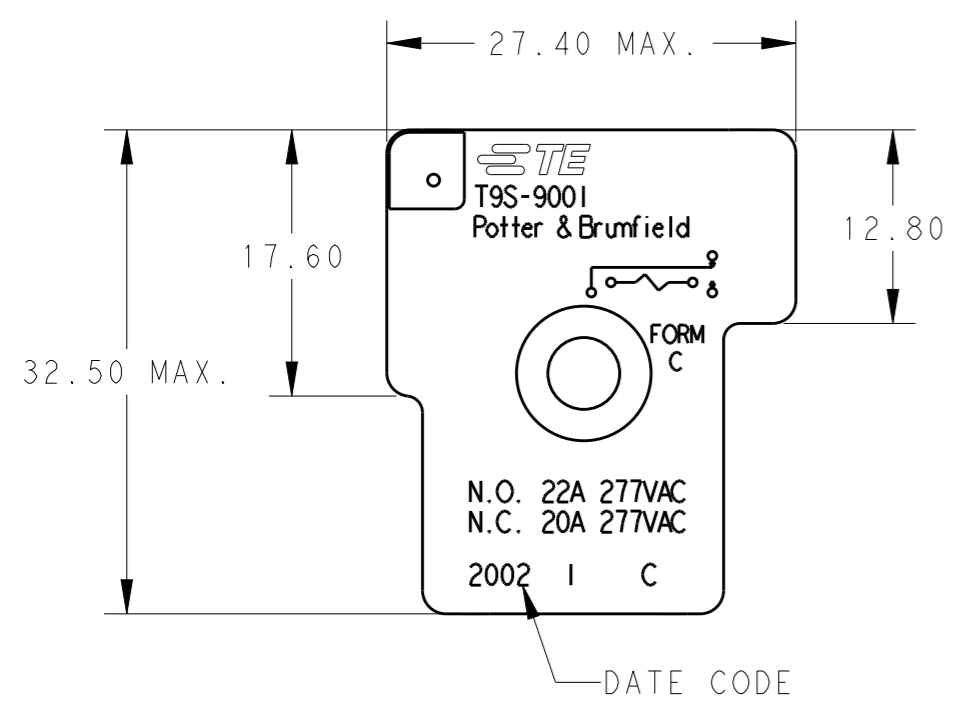
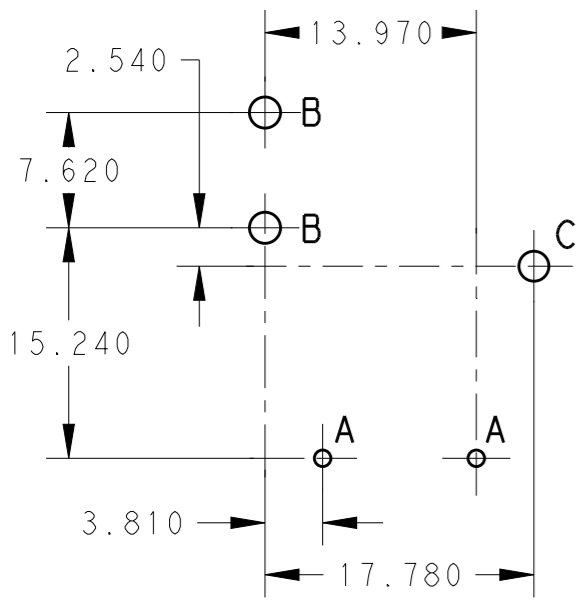


THIS DRAWING IS UNPUBLISHED. RELEASED FOR PUBLICATION 20
 © COPYRIGHT 20 BY - ALL RIGHTS RESERVED.

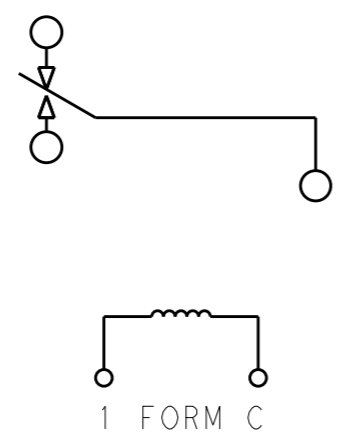
LOC	DIST	REVISIONS			
P	LTR	DESCRIPTION	DATE	DWN	APVD
HB	00	A	INITIAL RELEASE	10SEP2020	HL.C XN.Z



HOLE CHART
 A-Ø1.10±0.08
 B-Ø2.05±0.13
 C-Ø2.00±0.08



WIRING DIAGRAM (BOTTOM VIEW)



- NOTES:
1. DETAIL PRODUCT PARAMETER, SEE RELATED DATASHEET.
 2. MARKING ARE MARKED ON THE DRAWING.
 3. DATE CODE WILL BE VARIED BY ACTUAL PRODUCTION DATE.

THIS DRAWING IS A CONTROLLED DOCUMENT.		DWN 13JAN2020 Timothy Chen	TE Connectivity	
DIMENSIONS: mm		CHK 13JAN2020 Xiaoning Zhang		
TOLERANCES UNLESS OTHERWISE SPECIFIED:		APVD 13JAN2020 Xiaoning Zhang	NAME SPECIAL RELAY, VENTED	
0 PLC ±-		PRODUCT SPEC	-	
1 PLC ±0.50		APPLICATION SPEC	-	
2 PLC ±0.25		WEIGHT	-	
3 PLC ±0.08		CUSTOMER DRAWING	SIZE A3	CAGE CODE 00779
4 PLC ±-		SCALE 2:1	DRAWING NO. C-T9S-9001	RESTRICTED TO
ANGLES ±1		SHEET 1 OF 1	REV A	
MATERIAL -				
FINISH -				