

For Industrial use only.
Not intended for consumer sale or use.

3M™ Heavy-Duty Assembly Press, 3335

Instructions

Instructions for the use and adjustment of the 3M Assembly Press 3335

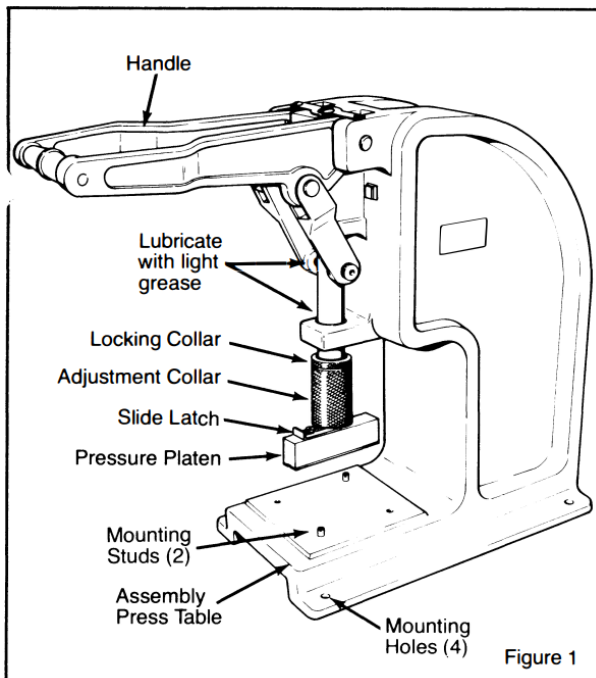
Please Note: The 3M Assembly Press 3335 has been designed specifically for the assembly of 3M electronic connectors to flat cable. When used for this purpose they will provide excellent service and require a minimum of maintenance. The presses should never be used to perform other shop functions. All assembly presses have four mounting holes in the base plate for securing to a bench.

CAUTION: Some connectors are assembled using a Crimp Bar equipped with a sharp cut off blade instead of a Platen. Please use care in handling. The Crimp Bar is simply pressed onto the press shaft. To facilitate wire preparation, it is a good idea to turn the Crimp Bar perpendicular to the connector length such that the blade faces away from you.

CAUTION: Be sure the press head is in its upright and secured position when the machine is being transported. Remove all accessories before moving the press. Only lift the press by the base, do not lift or carry it by the handle.

General:

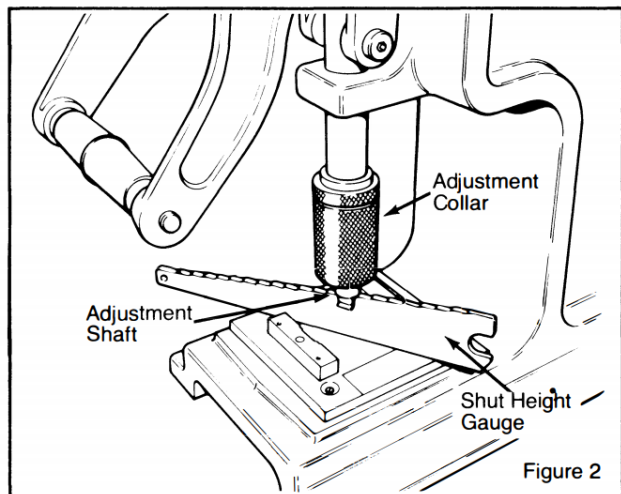
The recommended platen and its position is included on the instruction sheet. The standard platen, #3442-1A, is provided with the assembly press and is used for the assembly of most 3M electronic connectors. Other platens necessary for certain 3M connectors are available through your 3M representative.



Procedure for Adjusting Shut Height 3M Assembly Press 3335

Note: The shut height must always be made with the specific locator plate in position.

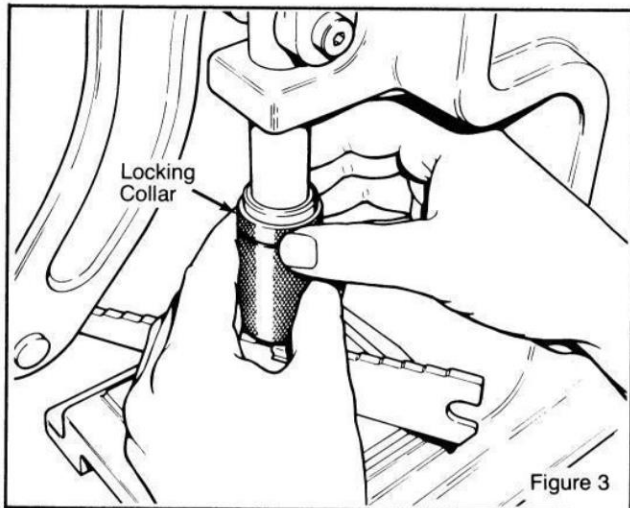
1. Pull back the slide latch and remove pressure platen. (see figure 1)
2. Loosen the knurled locking collar of the adjustment shaft assembly.
3. Lower the handle fully. The arms will stop against the casting.



4. Place the #3436-1A shut height gauge supplied with the assembly press across the locator plate and rotate the knurled adjustment collar until the adjustment shaft contacts the desired position on the gauge. The shut height gauge should be able to slip with slight resistance. (see figure 2)

3M™ Heavy-Duty Assembly Press, 3335

Instructions



5. Rotate the locking collar firmly against the adjustment collar, securing the adjustment setting. (see figure 3)
6. Replace the pressure platen in either of two positions, referring to the adjustment setting sheet for the correct position. Most positions are parallel to the length of the connector.

Maintenance:

It is not necessary to disassemble the press for lubrication. Apply a few drops of S.A.E. 10 oil on the six pivot points at least every 5,000 connections. Apply a small amount of light grease to the shaft near the bearing areas.

3M™ Heavy-Duty Assembly Press, 3335

Instructions

Regulatory: For regulatory information about this product, visit 3M.com/regs or contact your 3M representative.

Technical Information: The technical information, recommendations and other statements contained in this document are based upon tests or experience that 3M believes are reliable, but the accuracy or completeness of such information is not guaranteed.

Product Use: Many factors beyond 3M's control and uniquely within user's control can affect the use and performance of a 3M product in a particular application. Given the variety of factors that can affect the use and performance of a 3M product, user is solely responsible for evaluating the 3M product and determining whether it is fit for a particular purpose and suitable for user's method of application.

Warranty, Limited Remedy, and Disclaimer: Unless an additional warranty is specifically stated on the applicable 3M product packaging or product literature, 3M warrants that each 3M product meets the applicable 3M product specification at the time 3M ships the product. 3M MAKES NO OTHER WARRANTIES OR CONDITIONS, EXPRESS OR IMPLIED, INCLUDING, BUT NOT LIMITED TO, ANY IMPLIED WARRANTY OR CONDITION OF MERCHANTABILITY OR FITNESS FOR A PARTICULAR PURPOSE OR ANY IMPLIED WARRANTY OR CONDITION ARISING OUT OF A COURSE OF DEALING, CUSTOM OR USAGE OR TRADE. If the 3M Product does not conform to this warranty, then the sole and exclusive remedy is, at 3M's option, replacement of the 3M product or refund of the purchase price.

Limitation of Liability: Except where prohibited by law, 3M will not be liable for any loss or damage arising from the 3M product, whether direct, indirect, special, incidental or consequential, regardless of the legal theory asserted, including warranty, contract, negligence or strict liability.

3M Company
Electronics Materials Solutions Division
13011 McCallen Pass, Bldg. C
Austin, TX 78753-5380
1-800-225-5373
www.3M.com/interconnect



3M Electronics Materials Solutions Division
Interconnect Products
13011 McCallen Pass, Bldg. C
Austin, TX 78753-5380
www.3Mconnectors.com

3M is a trademark of 3M Company.
Please recycle.
©3M 2021. All rights reserved.
RIA-2217B-E

34-7013-8050-2 Rev B