

100132-1 ✓ ACTIVE

TE Internal #: 100132-1

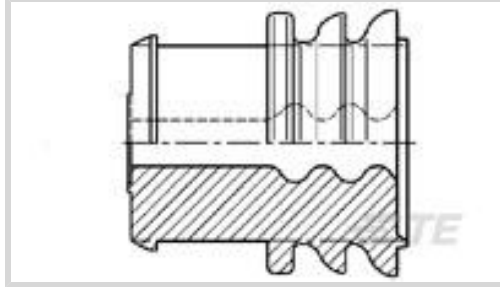
Cavity Plug, Silicone Rubber, Black, -40 – 140 °C [-40 – 284 °F]

Operating Temperature

[View on TE.com >](#)



Connectors > Connector Accessories > Connector Seals & Cavity Plugs



Connector Seal & Plug Type: **Cavity Plug**

Primary Product Material: **Silicone Rubber**

Primary Product Color: **Black**

Shore A Hardness: **50**

Operating Temperature (Max): **140 °C [284 °F]**

Features

Product Type Features

Connector Seal & Plug Type	Cavity Plug
----------------------------	-------------

Body Features

Primary Product Material	Silicone Rubber
Primary Product Color	Black

Usage Conditions

Operating Temperature (Max)	140 °C[284 °F]
Operating Temperature Range	-40 – 140 °C[-40 – 284 °F]

Packaging Features

Packaging Quantity	5000
Packaging Method	Carton

Other

Shore A Hardness	50
------------------	----

Product Compliance

[For compliance documentation, visit the product page on TE.com>](#)

EU RoHS Directive 2011/65/EU	Compliant
EU ELV Directive 2000/53/EC	Compliant
China RoHS 2 Directive MIIT Order No 32, 2016	No Restricted Materials Above Threshold
EU REACH Regulation (EC) No. 1907/2006	

Current ECHA Candidate List: JUNE 2024 (241)

Candidate List Declared Against: JUNE 2024 (241)

Does not contain REACH SVHC

Halogen Content

Low Halogen - Br, Cl, F, I < 900 ppm per homogenous material. Also BFR/CFR/PVC Free

Solder Process Capability

Not applicable for solder process capability

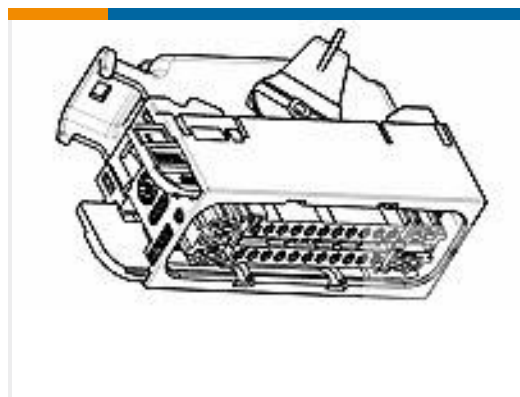
Product Compliance Disclaimer

This information is provided based on reasonable inquiry of our suppliers and represents our current actual knowledge based on the information they provided. This information is subject to change. The part numbers that TE has identified as EU RoHS compliant have a maximum concentration of 0.1% by weight in homogenous materials for lead, hexavalent chromium, mercury, PBB, PBDE, DBP, BBP, DEHP, DIBP, and 0.01% for cadmium, or qualify for an exemption to these limits as defined in the Annexes of Directive 2011/65/EU (RoHS2). Finished electrical and electronic equipment products will be CE marked as required by Directive 2011/65/EU. Components may not be CE marked. Additionally, the part numbers that TE has identified as EU ELV compliant have a maximum concentration of 0.1% by weight in homogenous materials for lead, hexavalent chromium, and mercury, and 0.01% for cadmium, or qualify for an exemption to these limits as defined in the Annexes of Directive 2000/53/EC (ELV). Regarding the REACH Regulation, the information TE provides on SVHC in articles for this part number is based on the latest European Chemicals Agency (ECHA) 'Guidance on requirements for substances in articles' posted at this URL: <https://echa.europa.eu/guidance-documents/guidance-on-reach>

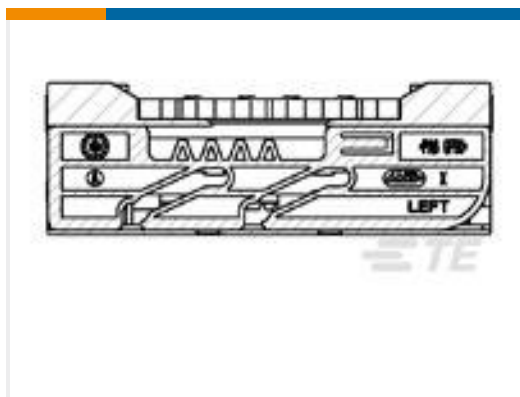
Compatible Parts



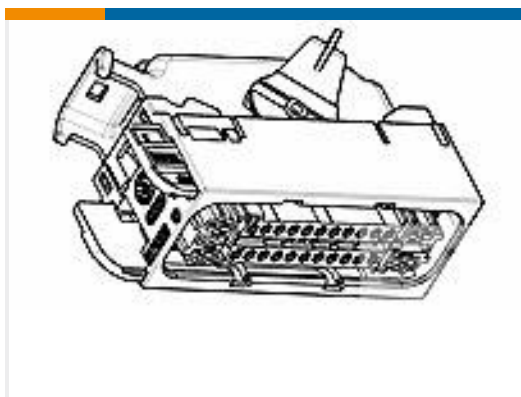
TE Part # CAT-T4827-CH8172
Timer Connector Housing



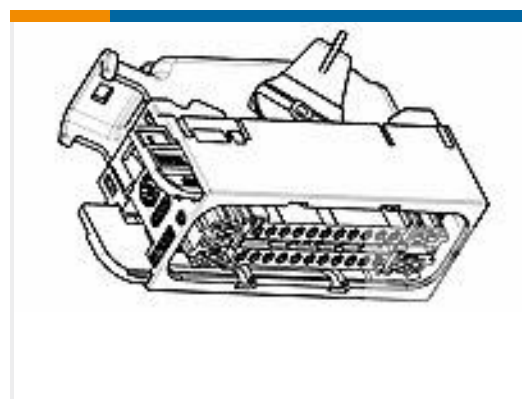
TE Part # 1-1379208-1
26W ASSY RECEPTACLE HSG



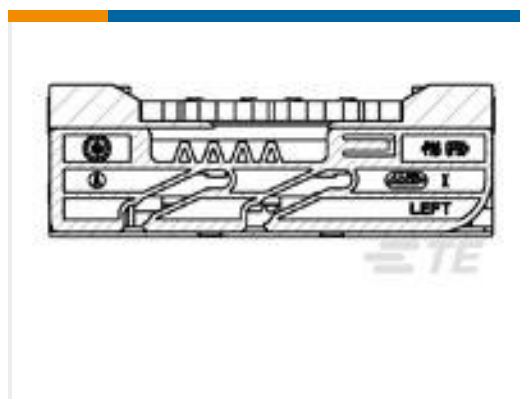
TE Part # 953756-1
47W RCPT HSG ASSY



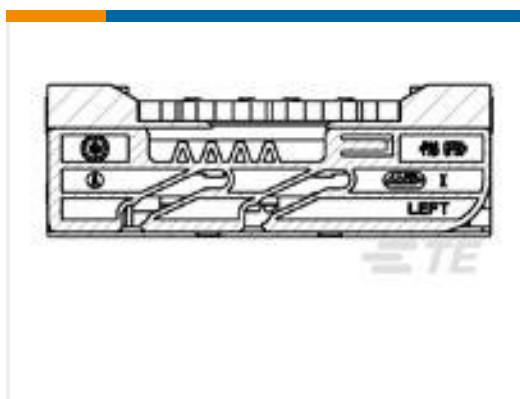
TE Part # 1379208-3
26W ASSY RECEPTACLE HSG



TE Part # 1379208-4
26W ASSY RECEPTACLE HSG



TE Part # 953756-7
47W RCPT HSG ASSY



TE Part # 953756-9
47W RCPT HSG ASSY

Customers Also Bought



TE Part #927836-2
TIMER, RECEPTACLE AND TAB



TE Part #1719826-5
SINGLE WIRE SEAL, 8MM HV



TE Part #967011-1
EINZELADERDICHTUNG



TE Part #2005390-6
JPT SLD 3P PLUG ASSY-1S BLK



TE Part #2372334-2
REM0.64 Terminal



TE Part #966500-1
JPT GEH KOMPL 24P



TE Part #1952079-3
HEADER MINIFUSE 6P ASSY, Green, FR



TE Part #2177786-1
5POS, MIXED, HSG, IEC62196-2 TYPE 2, BK



TE Part #2177787-1
2. LOCK, TE, IEC62196-2 TYPE 2, BK

Documents

Product Drawings

CAVITY PLUG

English

CAD Files

Customer View Model

[ENG_CVM_100132-1_A3.3d_igs.zip](#)

English

Customer View Model

[ENG_CVM_100132-1_A3.3d_stp.zip](#)

English

Customer View Model

[ENG_CVM_100132-1_A3.2d_dxf.zip](#)

English

3D PDF

English

By downloading the CAD file I accept and agree to the [Terms and Conditions](#) of use.

Product Specifications



Application Specification

French

Instruction Sheets

Instruction Sheet (non U.S.)

French