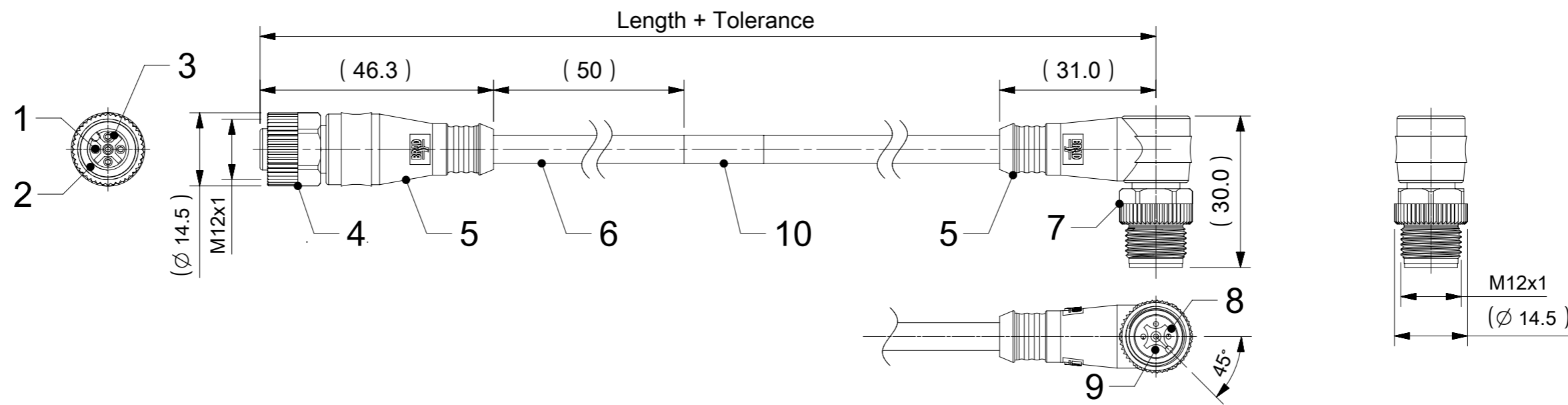
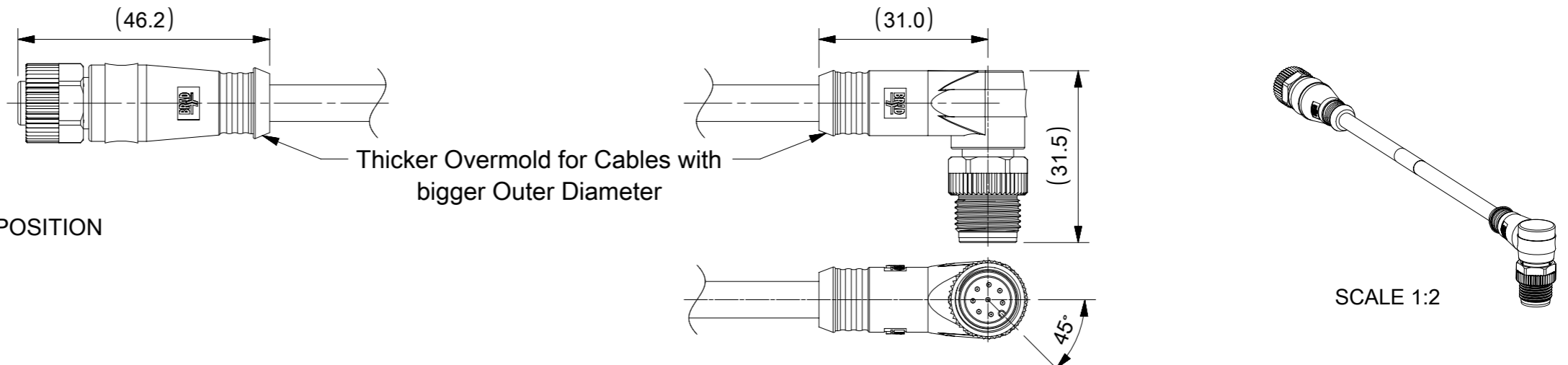


FEMALE PLUG M12 STRAIGHT TO MALE PLUG M12 90° ANGLED



NOTES:
 RATED VOLTAGE: 3, 4 contacts 250V
 5 contacts 60V
 8 contacts 30V
 RATED CURRENT: 3, 4, 5 contacts 4A
 8 contacts 2A
 PROTECTION CLASS: IP67 IN MATED AND LOCKED POSITION
 TEMPERATURE: -25°C / +85°C
 INSULATION RESISTANCE: 10⁸ Ω MIN.
 MATING CYCLES: MIN. 100



CONTACTS POSITION FRONT VIEW:

	3 CONTACTS		4 CONTACTS		5 CONTACTS		5 CONTACTS		8 CONTACTS	
CABLE	B30, B55		B30, B33, B36, B55		B30, B33, B36, B55		B42		B41, B49	
FEMALE										
MALE										
CONNECTIONS	PIN	WIRE	PIN	WIRE	PIN	WIRE	PIN	WIRE	PIN	WIRE
	1	BROWN	1	BROWN	1	BROWN	1	BROWN	1	WHITE
	2	---	2	WHITE	2	WHITE	2	WHITE	2	BROWN
	3	BLUE	3	BLUE	3	BLUE	3	BLUE	3	GREEN
	4	BLACK	4	BLACK	4	BLACK	4	BLACK	4	YELLOW
	5	---	5	---	5	GREY	5	GREEN/YELLOW	5	GREY
							5	GREEN/YELLOW	6	PINK
									7	BLUE
								8	RED	

FOR OPTIONS SEE - NUMERICAL CODE - ON SHEET 2

ITEM	QTY.	DESCRIPTION	MATERIAL	FINISH
11	SEE PN MATRIX	I/D CARRIER	PVC	TRANSPARENT
10	1	LABEL YELLOW	VINYL	---
9	8	CONTACT M12 MALE	BRASS	SELECTIVE GOLD OVER NICKEL
	3 / 4 / 5		COPPER	OVER NICKEL
8	1	INSERT MALE BLACK	TPU	---
7	1	COUPLING NUT MALE SW13	BRASS	NICKEL
6	-	CABLE	SEE SHEET 2	---
5	-	OVERMOULDING BLACK	TPU	---
4	1	COUPLING NUT FEMALE SW13	BRASS	NICKEL
3	1	INSERT FEMALE BLACK	TPU	---
2	1	ORING RED	FPM	---
1	8	CONTACT M12 FEMALE	BRASS	SELECTIVE GOLD OVER NICKEL
	3 / 4 / 5		BRONZE	OVER NICKEL

CODING REQUIRED TO IEC 61076-2-101

ENGINEERING NO. - NUMERICAL CODE (Available parts see PART LIST table. Other parts available upon request).

OPTIONS

8 8 X 0 3 2 X X X X X X X X

88=M12x1
Double ended

Poles:
3=3 Contacts
4=4 Contacts
5=5 Contacts
8=8 Contacts

Heads style:
032=Plug Female Straight
to Plug Male 90°

Cable type: See Table

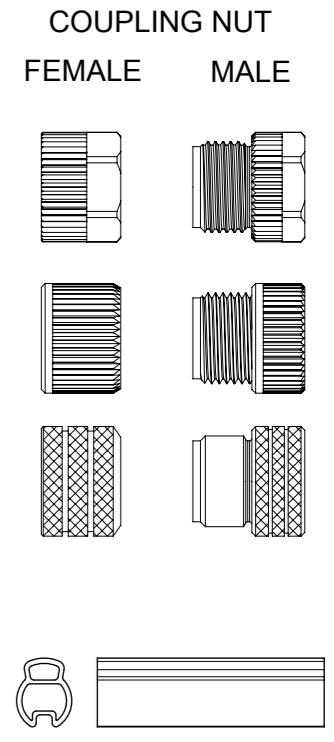
Units:
M=Meter
C=Centimeter

Length
Examples:
005=0.5 unit
010=1 unit
100=10 unit

Overmold color:
Blank (Standard)=Black
A=Grey / G=Black / Y=Yellow / R=Red

Coupling Nut:
Blank (Standard)=Knurled/Hex Brass, Ni Plated
5=Knurled Derlin
7=Knurled Brass Ni Plated, Teflon Coated

H= 2 pcs. of I/D Carrier PVC Transparent
(Cables B36 always with 2 pcs. I/D Carrier)



CABLE INFORMATION (for more information see Cable Data Sheet).

CABLE TYPE	NO. OF WIRES	CROSS SECTION	CABLE JACKET	UL	CSA	STATIC: TEMP. / BENDING RADIUS	DYNAMIC: TEMP. / BENDING RADIUS	DRAG CHAIN: TEMP. / BENDING RADIUS	DRAG CHAIN	CABLE PRODUCT SPECIFICATION	CABLE SPEC. DRAWING
B30	3 / 4 / 5	0.34mm ²	TPU Black	UL 21215/758	C22.2 I/II A/B 80°/600V	-40°C to +90°C >5xO.D.	-25°C to +80°C >7.5xO.D.	-5°C to +60°C >7.5xO.D.	up to 5 000 000 cycles at temp 20°C	1552200001	SD-120209-001
B33	4 / 5	0.34mm ²	TPU Gray								SD-120209-001
B36	4 / 5	0.34mm ²	TPU Orange								SD-120209-001
B41	8	0.25mm ²	TPU Black								SD-120209-006
B42	5	0.34mm ²	TPU Black								SD-120209-001
B49	8	0.25mm ²	TPU Orange								SD-120209-006
B55	3 / 4 / 5	0.34mm ²	TPU Yellow								n/a

CABLE LENGTH TOLERANCES

LENGTH	TOLERANCE
0m-1m	+40 mm
>1m-5m	+60 mm
>5m-10m	+80 mm
>10m-20m	+140 mm
>20m-30m	+160 mm
>30m	+1% length

THIS DRAWING CONTAINS INFORMATION THAT IS PROPRIETARY TO MOLEX ELECTRONIC TECHNOLOGIES, LLC AND SHOULD NOT BE USED WITHOUT WRITTEN PERMISSION


DIMENSION UNITS mm	SCALE 1:1	CURRENT REV DESC: CHANGED DIMENSIONING STYLE OF OVERALL LENGTH TO END TO END. UPDATED NOTES AND SORTED PART LIST USING CABLE TYPES ON SHEET 3. ADDED B41 P/N'S.	molex			
GENERAL TOLERANCES (UNLESS SPECIFIED)						CSE M12 XP AC FE RA WSOR MA RA XM DE
ANGULAR TOL	± 1.0 °	EC NO: 789428	PRODUCT CUSTOMER DRAWING			
4 PLACES	±	DRWN: AKABADI 2023/03/11	DOCUMENT NUMBER			
3 PLACES	±	CHK'D: RSILLER 2024/07/02	1200668920			
2 PLACES	± 0.05	APPR: RSILLER 2024/07/02	DOC TYPE	DOC PART	REVISION	
1 PLACE	± 0.3	INITIAL REVISION:	PSD	000	B	
0 PLACES	± 0.5	DRWN: JMARSZALEK 2016/10/17 APPR: RSILLER 2016/10/18	SHEET NUMBER			
DRAFT WHERE APPLICABLE MUST REMAIN WITHIN DIMENSIONS		THIRD ANGLE PROJECTION	DRAWING	SERIES	MATERIAL NUMBER	CUSTOMER
			A3-SIZE	120066	SEE PART LIST	GENERAL MARKET
DOCUMENT STATUS		P1	RELEASE DATE	2024/07/02	09:17:51	2 OF 3

PART LIST

MOLEX PN	ENGINEERING No	L [mm]
3P CABLE B30		
1200668918	883032B30M006	600
1200668919	883032B30M010	1000
1200668920	883032B30M020	2000
1200668921	883032B30M030	3000
1200668922	883032B30M050	5000
1200668923	883032B30M100	10000
4P CABLE B30		
1200668924	884032B30M006	600
1200668925	884032B30M010	1000
1200668926	884032B30M020	2000
1200668927	884032B30M030	3000
1200668928	884032B30M050	5000
1200668929	884032B30M100	10000
1200669634	884032B30M150	15000
1200669635	884032B30M200	20000
5P CABLE B30		
1200669003	885032B30M006	600
1200669004	885032B30M010	1000
1200669005	885032B30M020	2000
1200669006	885032B30M030	3000
1200669007	885032B30M050	5000
1200669008	885032B30M100	10000
1200669693	885032B30M150	15000
1200669694	885032B30M200	20000
4P CABLE B33		
1200669889	884032B33M005A	500
1200669627	884032B33M010A	1000
1200669628	884032B33M020A	2000
1200669629	884032B33M030A	3000
1200669630	884032B33M050A	5000
1200669631	884032B33M100A	10000
1200669632	884032B33M150A	15000
1200669633	884032B33M200A	20000
5P CABLE B33		
1200669912	885032B33M005A	500
1200669686	885032B33M010A	1000
1200669687	885032B33M020A	2000
1200669688	885032B33M030A	3000
1200669689	885032B33M050A	5000
1200669690	885032B33M100A	10000
1200669691	885032B33M150A	15000
1200669692	885032B33M200A	20000
1200669913	885032B33M300A	30000
1200669914	885032B33M400A	40000
1200669915	885032B33M500A	50000

MOLEX PN	ENGINEERING No	L [mm]
4P CABLE B36		
1200669075	884032B36M0057Y	500
1200669076	884032B36M0107Y	1000
1200669077	884032B36M0157Y	1500
1200669078	884032B36M0207Y	2000
1200669079	884032B36M0307Y	3000
1200669080	884032B36M0407Y	4000
1200669081	884032B36M0507Y	5000
1200669082	884032B36M0607Y	6000
1200669083	884032B36M0807Y	8000
1200669084	884032B36M1007Y	10000
1200669085	884032B36M1207Y	12000
1200669086	884032B36M1507Y	15000
1200669087	884032B36M2007Y	20000
1200669088	884032B36M2507Y	25000
1200669089	884032B36M3007Y	30000
5P CABLE B36		
1200669090	885032B36M0057Y	500
1200669091	885032B36M0107Y	1000
1200669092	885032B36M0207Y	2000
1200669093	885032B36M0307Y	3000
1200669094	885032B36M0407Y	4000
1200669095	885032B36M0507Y	5000
1200669096	885032B36M0607Y	6000
1200669097	885032B36M0807Y	8000
1200669098	885032B36M1007Y	10000
1200669099	885032B36M1207Y	12000
1200669100	885032B36M1507Y	15000
1200669101	885032B36M1807Y	18000
1200669102	885032B36M2007Y	20000
1200669103	885032B36M2507Y	25000
1200669104	885032B36M3007Y	30000

MOLEX PN	ENGINEERING No	L [mm]
5P CABLE B42		
1200668930	885032B42M006	600
1200668931	885032B42M010	1000
1200668932	885032B42M020	2000
1200668933	885032B42M030	3000
1200668934	885032B42M050	5000
1200668935	885032B42M100	10000
4P CABLE B55		
1200669636	884032B55M010Y	1000
1200669637	884032B55M020Y	2000
1200669638	884032B55M030Y	3000
1200669639	884032B55M050Y	5000
1200669640	884032B55M100Y	10000
1200669641	884032B55M150Y	15000
1200669642	884032B55M200Y	20000
5P CABLE B55		
1200669695	885032B55M010Y	1000
1200669696	885032B55M020Y	2000
1200669697	885032B55M030Y	3000
1200669698	885032B55M050Y	5000
1200669699	885032B55M100Y	10000
1200669700	885032B55M150Y	15000
1200669701	885032B55M200Y	20000

THIS DRAWING CONTAINS INFORMATION THAT IS PROPRIETARY TO MOLEX ELECTRONIC TECHNOLOGIES, LLC AND SHOULD NOT BE USED WITHOUT WRITTEN PERMISSION									
DIMENSION UNITS	SCALE	CURRENT REV DESC: CHANGED DIMENSIONING STYLE OF OVERALL LENGTH TO END TO END. UPDATED NOTES AND SORTED PART LIST USING CABLE TYPES ON SHEET 3. ADDED B41 P/N'S.							
mm	1:1	 CSE M12 XP AC FE RA WSOR MA RA XM DE							
GENERAL TOLERANCES (UNLESS SPECIFIED)									
ANGULAR TOL	± 1.0 °	EC NO: 789428 DRWN: AKABADI 2023/03/11 3 PLACES ± CHK'D: RSILLER APPR: RSILLER 2024/07/02							
4 PLACES	±	INITIAL REVISION: DRWN: JMARSZALEK 2016/10/17 APPR: RSILLER 2016/10/18							
3 PLACES	±	DOCUMENT NUMBER: 1200668920 DOC TYPE: PSD DOC PART: 000 REVISION: B							
2 PLACES	± 0.05	PRODUCT CUSTOMER DRAWING							
1 PLACE	± 0.3	MATERIAL NUMBER: SEE PART LIST CUSTOMER: GENERAL MARKET SHEET NUMBER: 3 OF 3							
0 PLACES	± 0.5	DRAFT WHERE APPLICABLE MUST REMAIN WITHIN DIMENSIONS THIRD ANGLE PROJECTION DRAWING: A3-SIZE SERIES: 120066							