

1-1478048-0 ✓ ACTIVE



TE Internal #: 1-1478048-0

BNC RF Interface, Jack, 75 ohm, Bayonet, 2 GHz Operating Frequency, Cable-to-Panel, 1 Position, Panel Mount, -40 – 60 °C [-40 – 140 °F]

[View on TE.com >](#)

Connectors > RF Connectors > Coax Connectors



RF Interface: **BNC**

RF Connector Style: **Jack**

RF Connector Mated Outer Diameter (Approximate): **14.53 mm [ .572 in ]**

Impedance: **75 Ω**

RF Connector Coupling Mechanism: **Bayonet**

## Features

### Product Type Features

RF Interface	BNC
RF Connector Style	Jack
Connector System	Cable-to-Panel
Sealable	No

### Configuration Features

Number of Positions	1
Number of Coaxial Contacts	1

### Electrical Characteristics

Impedance	75 Ω
-----------	------

### Body Features

Cable Connector Orientation	Straight
Body Material	Brass
Body Plating Material	Nickel

### Contact Features



RF Connector Center Contact Plating Material	Gold
--	------

RF Connector Center Contact Material	Brass
--------------------------------------	-------

### Termination Features

Termination Method to Wire & Cable	Solder Terminal
------------------------------------	-----------------

### Mechanical Attachment

Panel Mount Feature Type	Hex Nut
--------------------------	---------

Panel Attachment Style	Front Mount
------------------------	-------------

RF Connector Coupling Mechanism	Bayonet
---------------------------------	---------

Connector Mounting Type	Panel Mount
-------------------------	-------------

RF Contact Captivation Method	Solder
-------------------------------	--------

Detent	With
--------	------

### Dimensions

Panel Thickness (Recommended)	1.52 – 3.2 mm [.062 – .126 in]
-------------------------------	--------------------------------

RF Connector Mated Outer Diameter (Approximate)	14.53 mm [.572 in]
---	--------------------

### Usage Conditions

Insulation Option	Uninsulated
-------------------	-------------

Operating Temperature Range	-40 – 60 °C [-40 – 140 °F]
-----------------------------	----------------------------

### Operation/Application

Operating Frequency	2 GHz
---------------------	-------

### Packaging Features

Packaging Quantity	50
--------------------	----

Packaging Method	Box
------------------	-----

### Other

Lockwasher Material	Mild Steel
---------------------	------------

Coupling Nut Base Material	Brass
----------------------------	-------

Grade	Professional
-------	--------------

Dielectric Material	ABS
---------------------	-----

### Product Compliance

[For compliance documentation, visit the product page on TE.com>](#)

EU RoHS Directive 2011/65/EU	Compliant with Exemptions
------------------------------	---------------------------

EU ELV Directive 2000/53/EC	Compliant with Exemptions
-----------------------------	---------------------------



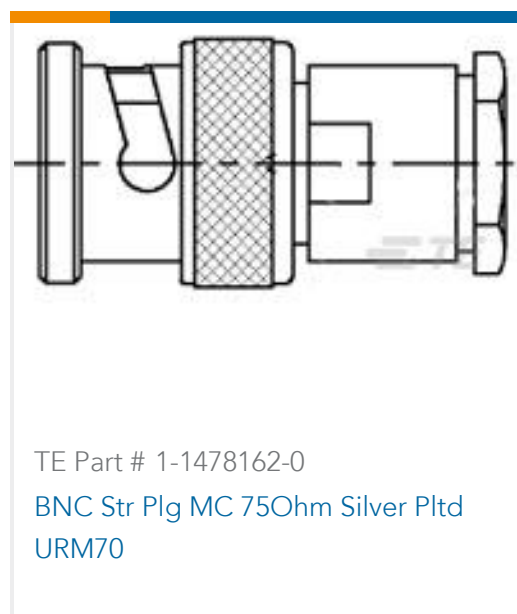
China RoHS 2 Directive MIIT Order No 32, 2016	Restricted Materials Above Threshold
EU REACH Regulation (EC) No. 1907/2006	Current ECHA Candidate List: JUNE 2024 (241) Candidate List Declared Against: JAN 2022 (223) SVHC > Threshold: Pb (2.59% in Component Part) <b>Article Safe Usage Statements:</b> Do not eat, drink or smoke when using this product. Wash thoroughly after handling. Recycle if possible and dispose of the article by following all applicable governmental regulations relevant to your geographic location.
Halogen Content	Low Halogen - Br, Cl, F, I < 900 ppm per homogenous material. Also BFR/CFR/PVC Free
Solder Process Capability	Hand solderable with lead free solder

Product Compliance Disclaimer

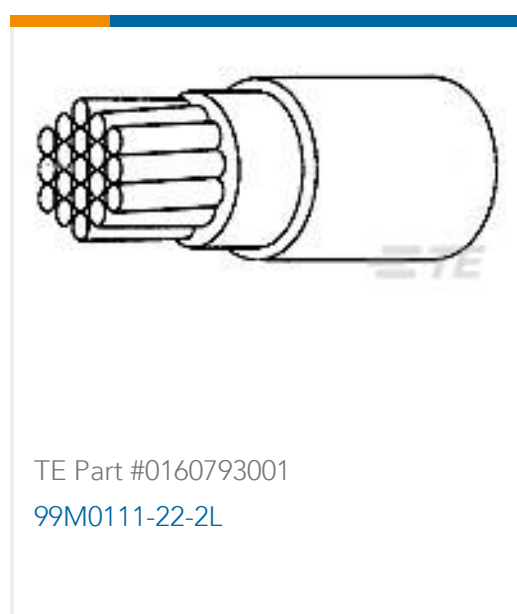
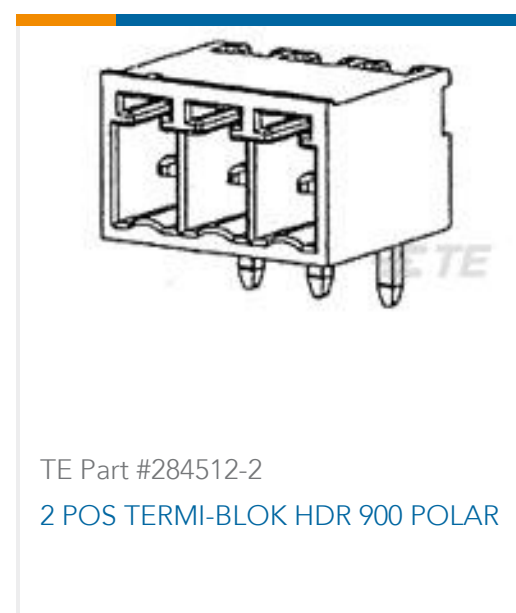
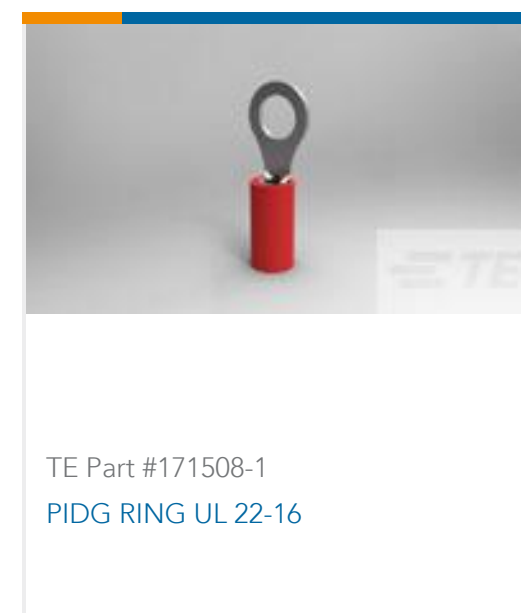
This information is provided based on reasonable inquiry of our suppliers and represents our current actual knowledge based on the information they provided. This information is subject to change. The part numbers that TE has identified as EU RoHS compliant have a maximum concentration of 0.1% by weight in homogenous materials for lead, hexavalent chromium, mercury, PBB, PBDE, DBP, BBP, DEHP, DIBP, and 0.01% for cadmium, or qualify for an exemption to these limits as defined in the Annexes of Directive 2011/65/EU (RoHS2). Finished electrical and electronic equipment products will be CE marked as required by Directive 2011/65/EU. Components may not be CE marked. Additionally, the part numbers that TE has identified as EU ELV compliant have a maximum concentration of 0.1% by weight in homogenous materials for lead, hexavalent chromium, and mercury, and 0.01% for cadmium, or qualify for an exemption to these limits as defined in the Annexes of Directive 2000/53/EC (ELV). Regarding the REACH Regulation, the information TE provides on SVHC in articles for this part number is based on the latest European Chemicals Agency (ECHA) 'Guidance on requirements for substances in articles' posted at this URL: <https://echa.europa.eu/guidance-documents/guidance-on-reach>

## Compatible Parts

 TE Part # 5413771-3 JACK BLKHD,COML BNC,HEX CRIMP	 TE Part # 5413779-3 COML BNC,50 OHM, HEX CRIMP	 TE Part # 5228979-7 JACK,COML,SERIES BNC,GOLD PL	 TE Part # 5228980-7 JACK,BHD,COML,SERIES BNC,GOLD
 TE Part # 1-1337440-0 BNC R/A Plg Hex 75Ohm Silver Pltd RG179B	 TE Part # 2-5330062-1 BNC JACK KIT	 TE Part # 5225398-7 BNC DUAL CRIMP JACJ	 TE Part # 1-1337438-0 BNC R/A Plg Hex 75Ohm Silver Pltd RG59B/



## Customers Also Bought



## Documents

### Product Drawings

BNC Ins BHSkt 75Ohm Nickel Gold Pltd

English

### CAD Files

3D PDF

3D

Customer View Model

ENG\_CVM\_CVM\_1-1478048-0\_C.2d\_dxf.zip



English

**Customer View Model**

[ENG\\_CVM\\_CVM\\_1-1478048-0\\_C.3d\\_igs.zip](#)

English

**Customer View Model**

[ENG\\_CVM\\_CVM\\_1-1478048-0\\_C.3d\\_stp.zip](#)

English

By downloading the CAD file I accept and agree to the [Terms and Conditions](#) of use.

---

## Datasheets & Catalog Pages

[BNC Connectors](#)

English