

330716 ✓ ACTIVE



TERMI-FOIL

TE Internal #: 330716

Barrel, Type 2, Nickel Plating, Box, 12 – 10 AWG Wire Size, 3 – 6 mm<sup>2</sup> Wire Size, 343 °C [649 °F], TERMI-FOIL, Foil Terminals

[View on TE.com >](#)

Terminals & Splices > Foil Terminals



Foil Terminal Type: **Barrel**

Foil Terminal Body Type: **Type 2**

Accepts Foil Thickness (Max): **.76 mm [ .03 in ]**

Terminal Plating Material: **Nickel**

Packaging Method: **Box**

**Features**

**Body Features**

Foil Terminal Body Type	Type 2
-------------------------	--------

**Contact Features**

Foil Terminal Type	Barrel
Terminal Plating Material	Nickel

**Termination Features**

Accepts Foil Thickness (Max)	.76 mm[.03 in]
------------------------------	----------------

**Dimensions**

Wire Size	3 – 6 mm <sup>2</sup>
-----------	-----------------------

**Usage Conditions**

Insulation Option	Uninsulated
Operating Temperature Range	343 °C[649 °F]

**Packaging Features**

Packaging Quantity	500
Packaging Method	Box



## Product Compliance

[For compliance documentation, visit the product page on TE.com>](#)

EU RoHS Directive 2011/65/EU	Compliant
EU ELV Directive 2000/53/EC	Compliant
China RoHS 2 Directive MIIT Order No 32, 2016	No Restricted Materials Above Threshold
EU REACH Regulation (EC) No. 1907/2006	Current ECHA Candidate List: JUNE 2024 (241) Candidate List Declared Against: JUNE 2024 (241) Does not contain REACH SVHC
Halogen Content	Low Halogen - Br, Cl, F, I < 900 ppm per homogenous material. Also BFR/CFR/PVC Free
Solder Process Capability	Not applicable for solder process capability

### Product Compliance Disclaimer

This information is provided based on reasonable inquiry of our suppliers and represents our current actual knowledge based on the information they provided. This information is subject to change. The part numbers that TE has identified as EU RoHS compliant have a maximum concentration of 0.1% by weight in homogenous materials for lead, hexavalent chromium, mercury, PBB, PBDE, DBP, BBP, DEHP, DIBP, and 0.01% for cadmium, or qualify for an exemption to these limits as defined in the Annexes of Directive 2011/65/EU (RoHS2). Finished electrical and electronic equipment products will be CE marked as required by Directive 2011/65/EU. Components may not be CE marked. Additionally, the part numbers that TE has identified as EU ELV compliant have a maximum concentration of 0.1% by weight in homogenous materials for lead, hexavalent chromium, and mercury, and 0.01% for cadmium, or qualify for an exemption to these limits as defined in the Annexes of Directive 2000/53/EC (ELV). Regarding the REACH Regulation, the information TE provides on SVHC in articles for this part number is based on the latest European Chemicals Agency (ECHA) 'Guidance on requirements for substances in articles' posted at this URL: <https://echa.europa.eu/guidance-documents/guidance-on-reach>

## Compatible Parts

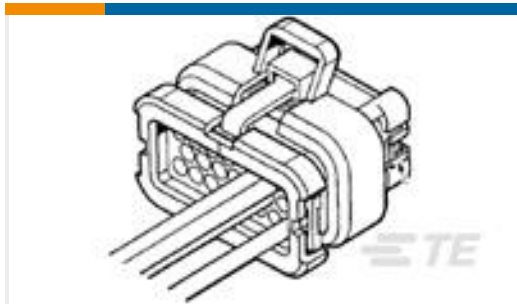


Also in the Series | **TERMI-FOIL**



Foil Terminals(23)

## Customers Also Bought



TE Part #776273-2  
14POS,AMPSEAL,SOC HSG ASSY,SLD,  
COD 2



TE Part #GA1K2A1  
DISCRETE 1K OHMS,+/-0.2C FROM  
0C TO 25C



TE Part #1625966-9  
HSA10 15K 5%



TE Part #T4043014041-000  
M8.FMLE.PNLFRONT.4POS.STRPCB



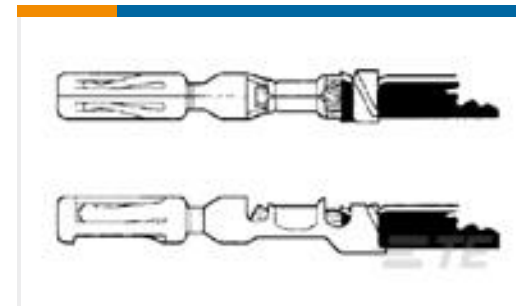
TE Part #322454  
TERMINAL,SOLIS R 12-10 8



TE Part #34484  
TERMINAL,SOLIS R 14-12 10



TE Part #51943  
TAB, TERMI-FOIL END TAP TERMINAL



TE Part #770854-3  
CONTACT,AMPSEAL AU L/P



TE Part #FTRA6171M5PW-001  
OMNI,Ph,PMT,617-7125MHz



TE Part #DT06-2S-KIT  
DT06-2S AND WEG ONLY

## Documents

### Product Drawings

TERMINAL,TERMI-FOIL 12-10

English

### CAD Files

3D PDF

3D

Customer View Model

ENG\_CVM\_CVM\_330716\_AA.2d\_dxf.zip



English

**Customer View Model**

[ENG\\_CVM\\_CVM\\_330716\\_AA.3d\\_igs.zip](#)

English

**Customer View Model**

[ENG\\_CVM\\_CVM\\_330716\\_AA.3d\\_stp.zip](#)

English

**3D PDF**

English

**Customer View Model**

[ENG\\_CVM\\_330716\\_G.3d\\_igs.zip](#)

English

**Customer View Model**

[ENG\\_CVM\\_330716\\_G.3d\\_stp.zip](#)

English

**Customer View Model**

[ENG\\_CVM\\_330716\\_G.2d\\_dxf.zip](#)

English

By downloading the CAD file I accept and agree to the [Terms and Conditions](#) of use.