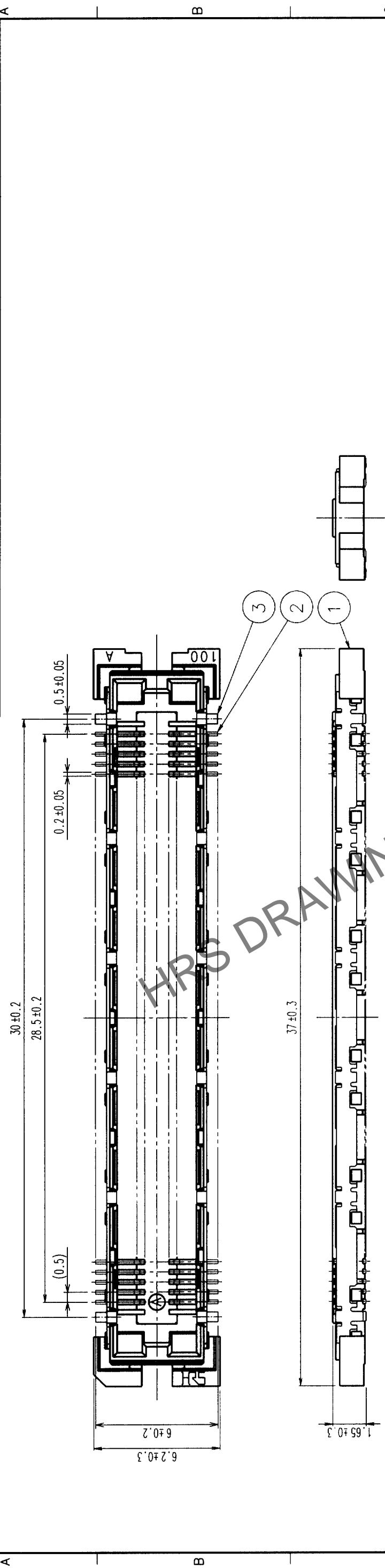
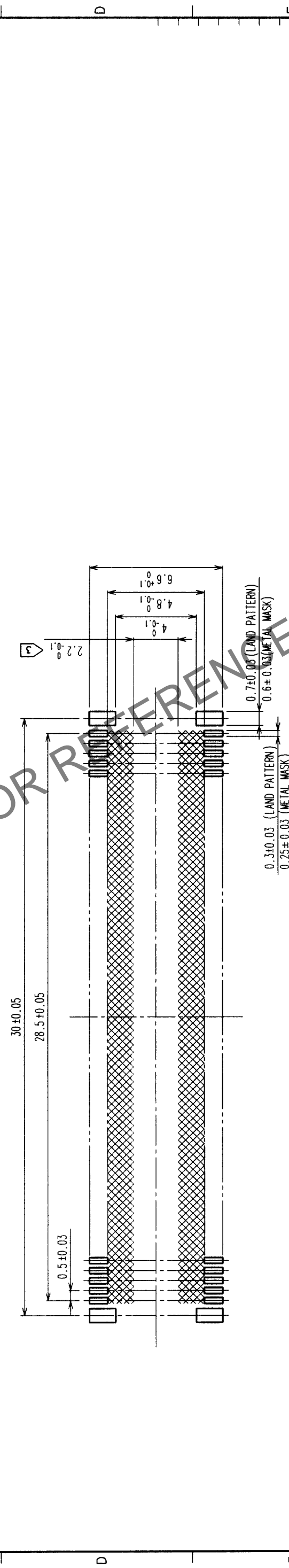


COUNT	DESCRIPTION OF REVISIONS	BY	CHKD	DATE	COUNT	DESCRIPTION OF REVISIONS	BY	CHKD	DATE
△					△				
△					△				
△					△				



RECOMMENDED LAND PATTERN DIMENSION OF PCB



- NOTES
- SMT LEAD-COPLANARITY: 0.1 MAX.
  - THIS PRODUCT HAS NO POLARITY TO PATTERN FOR MOUNTING.
  - MAKE SURE WIDTH OF PATTERN IS WITHIN THAT OF LAND, OR LEAD MAY TOUCH PATTERN. (THIS APPLIES TO HATCHED AREA.)

NO.	PHOSPHOR BRONZE	FINISH, REMARKS	NO.	PHOSPHOR BRONZE	TIN FINISH, REMARKS
2	PHOSPHOR BRONZE	CONTACT AREA: GOLD (0.1µm) OVER NICKEL			
1	LCP	LEAD: GOLD FLASH OVER NICKEL			
NO.	MATERIAL	FINISH, REMARKS	NO.	MATERIAL	FINISH, REMARKS
3	UL94V-0		3	PHOSPHOR BRONZE	TIN FINISH, REMARKS

CODE NO. (OLD)	CL	DRAWN	DESIGNED	CHECKED	APPROVED	RELEASED
		S. Pitajima	M. Sathida	M. Sathida	J. Jaisriwong	
		99.05.25	99.05.25	99.05.28	99.05.27	

DRAWING NO.	PART NO.
EDC3-152122	FX11LB-116S-SV

SCALE	UNITS	CODE NO.
5 : 1	mm	CL573-0154-5

TO	
PCK	