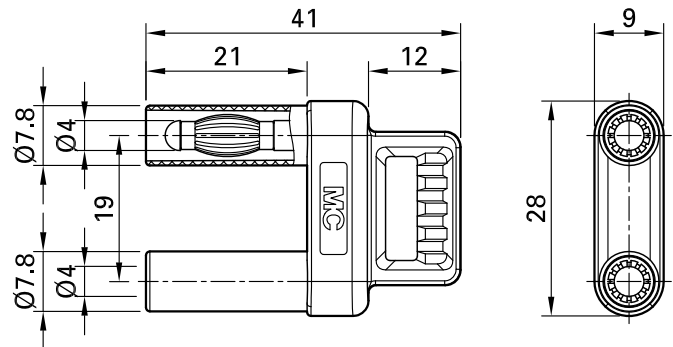


## XVB-4/19



Item number 66.9171-\*

Insulated Ø 4 mm, made of brass. Plugs with spring-loaded MULTILAM and rigid insulating sleeves. With insulated grip.

Technical data	
Diameter of plug system	4 mm
Rated Values	1000 V, CAT II, 32 A
Surface treatment electrical contact	Ni
Base material electrical contact	CuZn
Colours *	<span style="background-color: black; color: white; padding: 2px;">21</span> <span style="background-color: red; color: white; padding: 2px;">22</span> <span style="background-color: blue; color: white; padding: 2px;">23</span>
Plug spacing	19 mm
Test accessory acc. to	IEC EN 61010-031
Approvals	CE