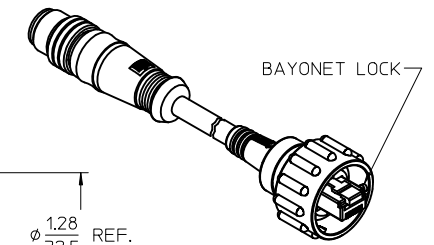
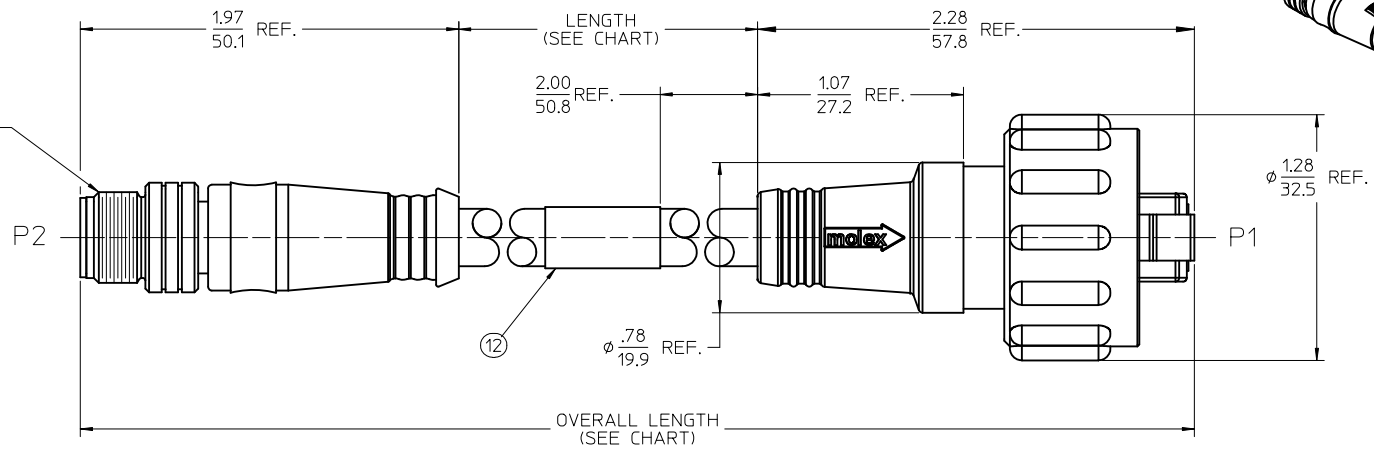


| | | | | | | | | | | | | |
|--------------|--------------------------------|----|----|---------------------|---|---|---|---|---|---|---|---|
| 13 | 12 | 11 | 10 | 9 | 8 | 7 | 6 | 5 | 4 | 3 | 2 | 1 |
| MATERIAL NO. | FINISHED LENGTH | | | REF. OVERALL LENGTH | | | | | | | | |
| 1300470033 | 3'3" +2.19"-0 [1M +55.6mm-0] | | | 3' 8" [1.11M] | | | | | | | | |
| 1300470034 | 6'7" +3.50"-0 [2M +88.9mm-0] | | | 6' 11" [2.11M] | | | | | | | | |

AUX. VIEW
SCALE 1:1

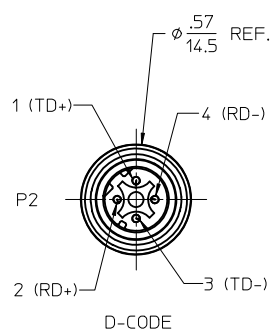


BAYONET LOCK

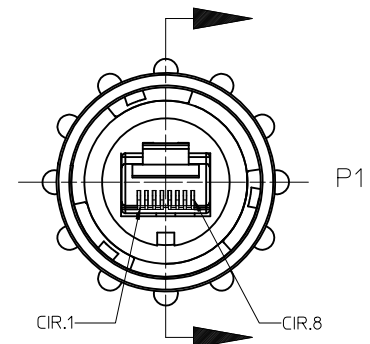
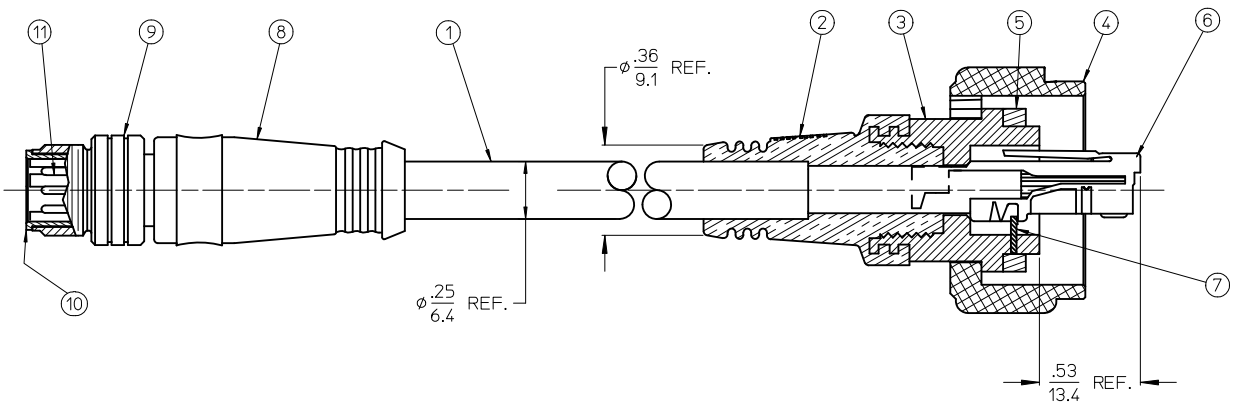


WIRING DIAGRAM

| | | | |
|----|--------------|----|---|
| P2 | ORANGE | P1 | 1 |
| 1 | GREEN | 3 | 3 |
| 2 | WHITE/ORANGE | 2 | 2 |
| 3 | WHITE/GREEN | 6 | 6 |



D-CODE



- NOTES:
1. MATERIAL: SEE TABLE
 2. FINISHES: SEE TABLE
 3. MATES WITH STANDARD & BAYONET STYLE RJ-45 JACK ASSEMBLIES
 4. ELECTRICAL SPECIFICATIONS:
MAX VOLTAGE: 125, MAX CURRENT: 1.5 AMPS
 5. OPERATING TEMP: 13°F TO 167°F (-25°C TO 75°C)
 6. PROTECTION: IP67
 7. ASSEMBLY IS RoHS COMPLIANT.

| | | | | |
|------|-----|--------------------------------|------------------|-------------------|
| 12 | 1 | WRAP LABEL | PLASTIC FILM | BLACK/YELLOW |
| 11 | 4 | CONTACT | COPPER ALLOY | GOLD PLATED |
| 10 | 1 | 4/C INSULATOR | PUR | BLACK |
| 9 | 1 | M12 COUPLING | BRASS | NICKEL PLATED |
| 8 | 1 | M12 PLUG OVERMOLD (P2) | PUR | BLACK |
| 7 | 1 | WEDGE | POLYESTER | BLACK |
| 6 | 1 | RJ-45 PLUG, SHEILDDED | PER VENDOR SPEC. | GOLD PL. CONTACTS |
| 5 | 1 | GASKET SEAL | NITRILE | BLACK |
| 4 | 1 | RJ-45 COUPLING RING | POLYESTER | BLACK |
| 3 | 1 | RJ-45 HOLDER | POLYESTER | BLACK |
| 2 | 1 | OVERMOLD BODY (P1) | PVC | BLACK |
| 1 | 1 | CABLE, UTP, 2P, 24 AWG, CAT 5E | TPE JACKET | TEAL |
| ITEM | QTY | DESCRIPTION | MATERIAL | FINISH |

| | | | | | | | | | |
|---|-------------------------------|---|---|--|--|--------------------------------------|----------------------------|---------------------------|--|
| RELEASED EC NO: WNA2010-0555 DRWNLHARTMANN 2010/03/10 CHKDRSTONE 2010/03/10 APPR:JFMURPHY 2010/04/21 | QUALITY SYMBOLS ▽=0 ▽=0 | GENERAL TOLERANCES (UNLESS SPECIFIED) | | DIMENSION STYLE IN/MM | | SCALE | DESIGN UNITS | THIRD ANGLE PROJECTION | |
| | | 4 PLACES ± --- ± --- 3 PLACES ± --- ± .005 2 PLACES ± .13 ± .010 1 PLACE ± 0.25 ± .020 ANGULAR ± 1/2° | DRAWN BY LHARTMANN DATE 2010/03/10 | CHECKED BY RSTONE DATE 2010/03/10 | TITLE CORD ASSEMBLY, RJ-45 MALE BAYONET TO MIC-CHG MALE D-CODE | | INCH | MOLEX INCORPORATED | |
| DRAFT WHERE APPLICABLE MUST REMAIN WITHIN DIMENSIONS | | APPROVED BY JFMURPHY DATE 2010/04/21 | | MATERIAL NO. SEE CHART | | DOCUMENT NO. SD-130047-003 | SHEET NO. 1 OF 1 | | |
| THIS DRAWING CONTAINS INFORMATION THAT IS PROPRIETARY TO MOLEX INCORPORATED AND SHOULD NOT BE USED WITHOUT WRITTEN PERMISSION | | | | | | | | | |