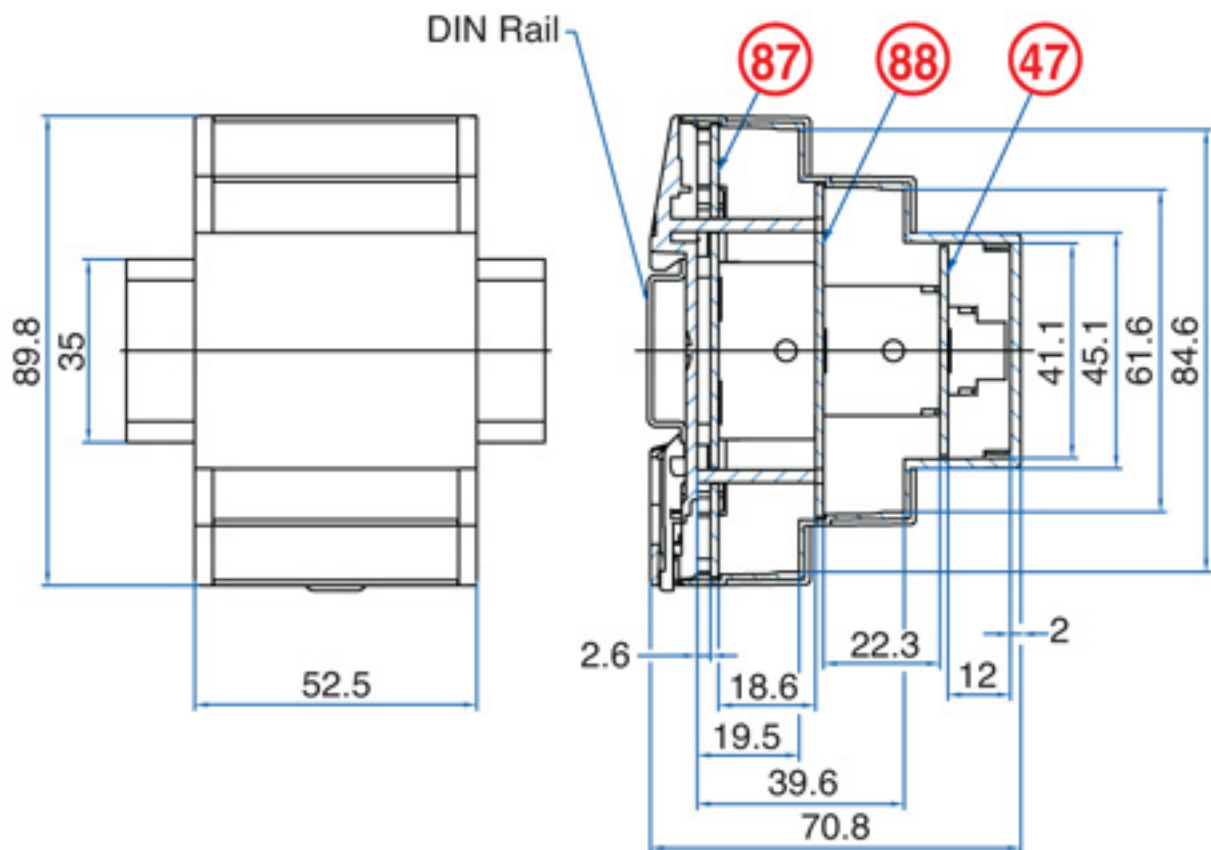
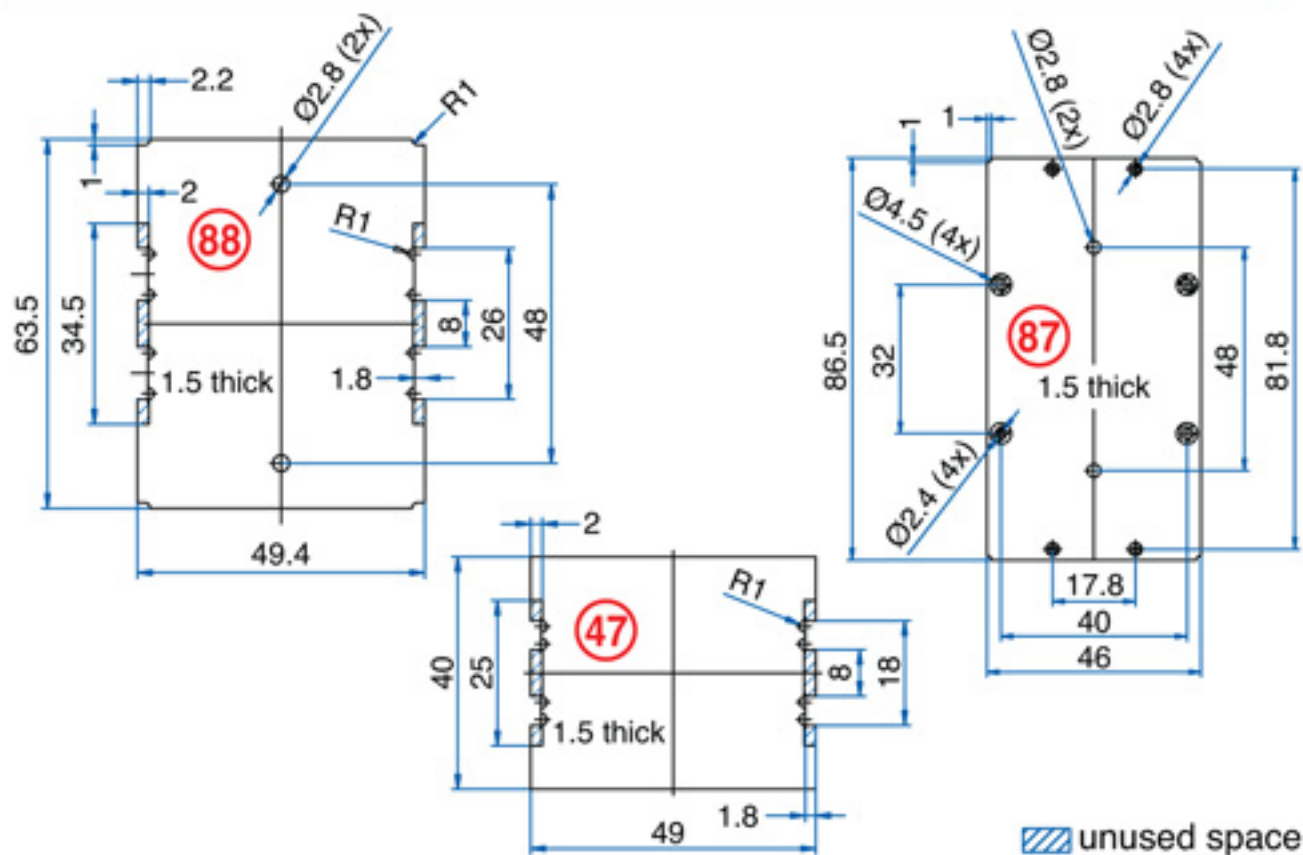


# ENCLOSURE DRAWING (To convert to inches divide by 25.4)



# PCB DRAWING (To convert to inches divide by 25.4)



# Mouser Electronics

Authorized Distributor

Click to View Pricing, Inventory, Delivery & Lifecycle Information:

[Altech:](#)

[91.820](#)