

IOA RPSS-I-I/HART/EX - Power/input isolating amplifier



2908452

<https://www.phoenixcontact.com/us/products/2908452>

Please be informed that the data shown in this PDF document is generated from our online catalog. Please find the complete data in the user documentation. Our general terms of use for downloads are valid.



Ex ic repeater power supply and input signal conditioner, HART for VIP I/O-Marshalling base elements: Transmits 0/4 ... 20 mA signals from the potentially explosive area (zone 2, CID2) to a load (active or passive) in the safe area. 3-way electrical isolation

Product description

Ex ic repeater power supply and input signal conditioner, HART: Transmits supplied or active 0/4 ... 20 mA signals from the Ex area to a load (active or passive) in the safe area. HART signals are transmitted bidirectionally. The output can be operated either actively or passively via DIP switches. The module is installed on a corresponding VIP I/O-Marshalling base element by means of plug-in contact. Installation in zone 2, "ec" type of protection is permitted.

Your advantages

- Two-stage progressive release allowing for voltage checks with field-powered devices
- Channel for marking accessories
- Integrated keying reduces possible user error during replacement
- Signal disconnect with test points
- Bidirectional HART signal transmission
- 3-way electrical isolation

Commercial data

Item number	2908452
Packing unit	1 pc
Minimum order quantity	1 pc
Note	Made to order (non-returnable)
Sales key	C480
Product key	CK8313
GTIN	4055626446158
Weight per piece (including packing)	95.7 g
Weight per piece (excluding packing)	42.9 g
Customs tariff number	85437090
Country of origin	CN

IOA RPSS-I-I/HART/EX - Power/input isolating amplifier



2908452

<https://www.phoenixcontact.com/us/products/2908452>

Technical data

Product properties

Product type	Repeater power supplies
Product family	VIP I/O-Marshalling
No. of channels	1

Data management status

Article revision	02
------------------	----

Insulation characteristics

Overvoltage category	II
Degree of pollution	2

Electrical properties

Electrical isolation	Reinforced insulation in accordance with IEC 61010-1
Limit frequency (3 dB)	1.75 kHz (typ.)
Step response (10-90%)	< 200 μ s (typ.)
Maximum temperature coefficient	0.01 %/K
Temperature coefficient, typical	0.01 %/K
Maximum transmission error	< 0.1 % (of final value)

Electrical isolation Input/output/power supply

Electrical isolation	250 V _{rms} (Rated insulation voltage (overvoltage category II; degree of pollution 2, safe isolation as per EN 61010-1))
	2.5 kV (50 Hz, 1 min., test voltage)
	60 V (Peak value in accordance with IEC/EN/UL/CSA C22.2 60079-11)

Supply

Nominal supply voltage	24 V DC
Supply voltage range	18 V DC ... 30 V DC
Power consumption	\leq 1600 mW (at I _{OUT} = 20 mA, 24 V DC, 600 Ω load)

Input data

Signal

Input signal	Current
Current input signal	4 mA ... 20 mA (repeater power supply and isolator operation)
	0 mA ... 20 mA (isolator operation)
Transmitter supply voltage	> 17 V (20 mA)
Step response (10-90%)	typ. 300 μ s (4 mA ... 20 mA)
	typ. 1000 μ s (0 mA ... 20 mA)

Output data

Signal

IOA RPSS-I-I/HART/EX - Power/input isolating amplifier



2908452

<https://www.phoenixcontact.com/us/products/2908452>

Output description	Current output (active and passive)
Current output signal	0 mA ... 20 mA (isolator amplifier)
	4 mA ... 20 mA (repeater power supply and isolator operation)
Max. current output signal	22.5 mA
Transmission Behavior	1:1 to input signal
Load/output load current output	≤ 600 Ω (20 mA)
	525 Ω (22.5 mA)
Residual ripple	< 20 mV _{rms} (600 Ω)
Output ripple	< 20 mV _{rms} (at 600 Ω)
Output behavior in the event of an error	0 mA (Cable break in the input)
	≥ 22.5 mA (Cable short-circuit in the input)
Underload/overload signal range	0 mA ... 22.5 mA (According to NE43)

Connection data

Connection method	Screw connection
Stripping length	10 mm
Screw thread	M3
Conductor cross section rigid	0.2 mm ² ... 1.5 mm ² (with ferrule)
	0.2 mm ² ... 2.5 mm ² (without ferrule)
Conductor cross section flexible	0.2 mm ² ... 1.5 mm ²
Conductor cross section AWG	24 ... 12 (flexible)

Ex data

Safety data

Input voltage U _i	0 V (nA, nB)
	30 V (nC, nD)
	30 V (Controller interface)
Input current I _i	100 mA (Controller interface)
Inductance L _i	0 mH
Capacitance C _i	0 nF
Max. output voltage U _o	28 V (nA, nB)
	0 V (nC, nD)
Max. output current I _o	104 mA
Max. output power P _o	726 mW
Safety-related maximum voltage U _m	60 V AC/DC (Peak)
IIC: Max. external inductivity L _o / Max. external capacitance C _o	/ 0.27 μF
IIB/IIIC/IIIB/IIIA: Max. external inductivity L _o / Max. external capacitance C _o	/ 1.65 μF
IIA: Max. external inductivity L _o / Max. external capacitance C _o	/ 6.6 μF
IIC: Max. external inductivity L _o / Max. external capacitance C _o	7.3 mH
IIB/IIIC/IIIB/IIIA: Max. external inductivity L _o / Max. external capacitance C _o	14.7 mH
IIA: Max. external inductivity L _o / Max. external capacitance C _o	29.5 mH

IOA RPSS-I-I/HART/EX - Power/input isolating amplifier



2908452

<https://www.phoenixcontact.com/us/products/2908452>

Interfaces

Data communication (bypass)

HART function	Yes
Protocols supported	HART
Limit frequency (3 dB)	> 1.75 kHz (typical)

Signaling

Status display	Green LED (supply voltage)
----------------	----------------------------

Dimensions

Width	9.8 mm
Height	75.2 mm
Depth	113.2 mm

Material specifications

Color	gray (RAL 7042)
Flammability rating according to UL 94	V0

Environmental and real-life conditions

Ambient conditions

Degree of protection	IP20
Ambient temperature (operation)	-40 °C ... 70 °C
Ambient temperature (storage/transport)	-40 °C ... 85 °C
Altitude	2000 m (max. altitude above sea level)
Permissible humidity (operation)	5 % ... 95 %

Approvals

ATEX

Identification	⊕ II 3G Ex ec IIC T4 Gc
	⊕ II 3G Ex ec [ic] IIC T4 Gc
	⊕ II (3)D [Ex ic IIIC Dc]
Certificate	Sira 17ATEX4208X

IECEX

Identification	Ex ec IIC T4 Gc
	Ex ec [ic] IIC T4 Gc
	[Ex ic IIIC Dc]
Certificate	IECEX SIR 17.0047X

CSA, USA/Canada

Identification	Class I, Div. 2 Groups A, B, C, D T4
	ANIFW apparatus for connection to: Class I, II, III, Div. 2 Groups A, B, C, D, F, G
	Class I, Zone 2 AEx ec IIC T4 Gc

IOA RPSS-I-I/HART/EX - Power/input isolating amplifier



2908452

<https://www.phoenixcontact.com/us/products/2908452>

	AEx ec [ic] IIC T4 Gc
	Connection to Zone 22, [Ex ic IIIC Dc]
	Connection to: Class I, II, III Div. 2 Groups A, B, C, D, F, G
	Ex ec IIC T4 Gc
	Ex ec [ic] IIC T4 Gc
	[Ex ic IIIC Dc]

UKEX

Identification	Ⓜ II 3G Ex ec IIC T4 Gc
	Ⓜ II 3G Ex ec [ic] IIC T4 Gc
	Ⓜ II (3)D [Ex ic IIIC Dc]
Certificate	PxCIF23UKEX2908452X

Corrosive gas test

Identification	ISA S71.04.2013 G3 Harsh Group A
----------------	----------------------------------

EMC data

Electromagnetic compatibility	Conformance with EMC directive
-------------------------------	--------------------------------

Electromagnetic HF field

Designation	Electromagnetic RF field
Standards/regulations	EN 61000-4-3
Typical deviation from the measuring range final value	1 %

Fast transients (burst)

Designation	Fast transients (burst)
Standards/regulations	EN 61000-4-4
Typical deviation from the measuring range final value	1 %

Conducted interference

Designation	Conducted interferences
Standards/regulations	EN 61000-4-6
Typical deviation from the measuring range final value	1 %

Standards and regulations

Electrical isolation	Reinforced insulation in accordance with IEC 61010-1
----------------------	--

Mounting

Mounting position	any
-------------------	-----

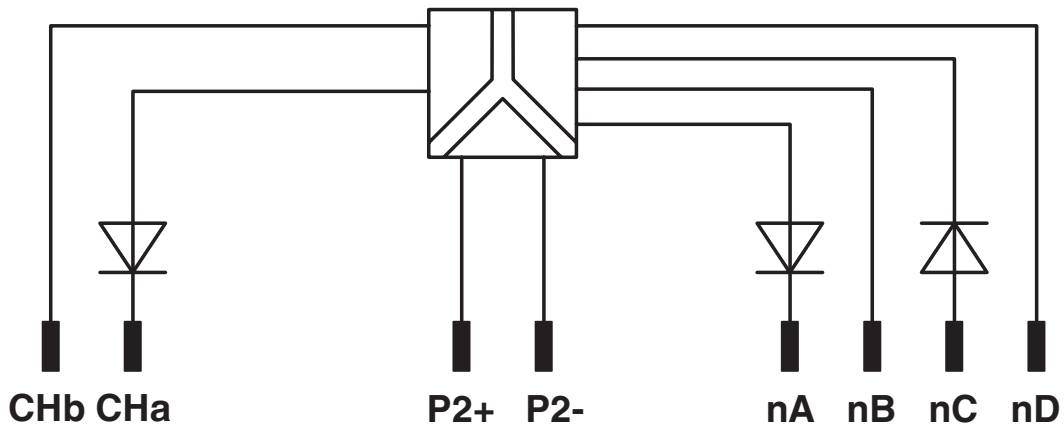
IOA RPSS-I-I/HART/EX - Power/input isolating amplifier

2908452

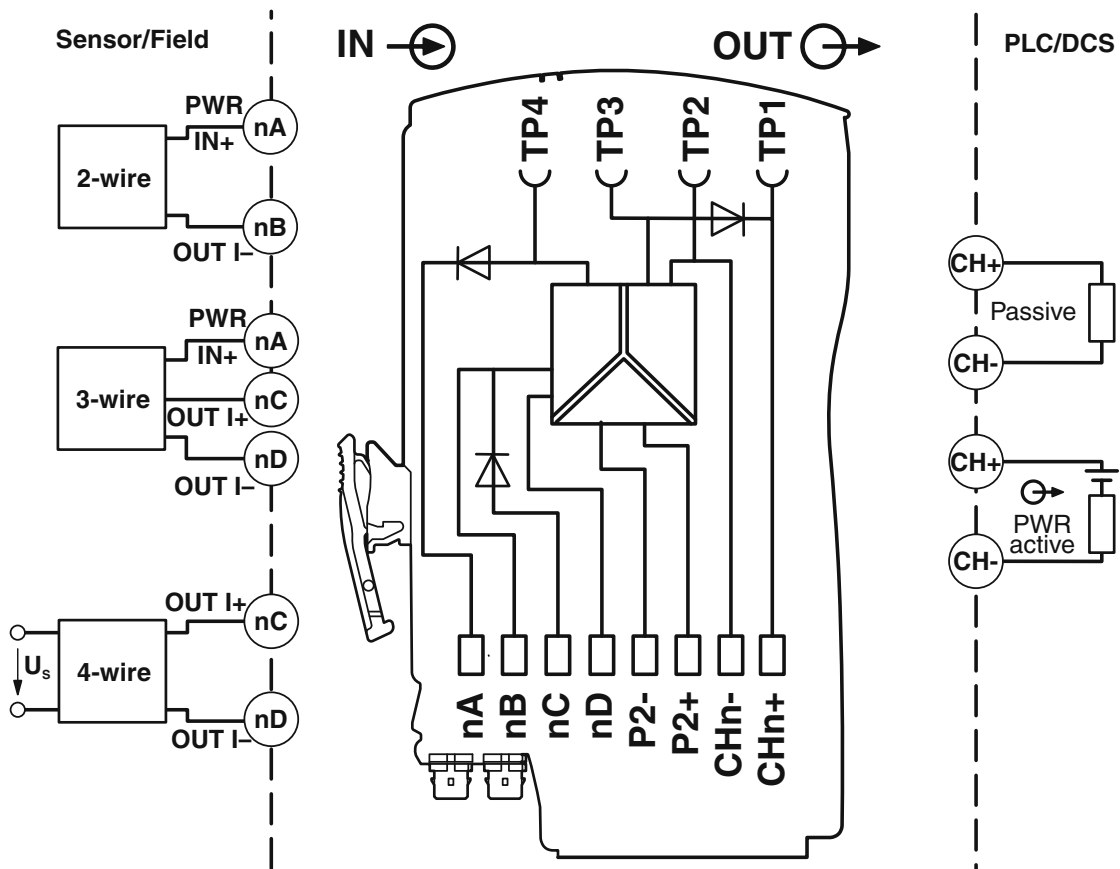
<https://www.phoenixcontact.com/us/products/2908452>

Drawings

Circuit diagram



Block diagram



IOA RPSS-I-I/HART/EX - Power/input isolating amplifier



2908452

<https://www.phoenixcontact.com/us/products/2908452>

Approvals

To download certificates, visit the product detail page: <https://www.phoenixcontact.com/us/products/2908452>



IECEx

Approval ID: IECEx SIR 17.0047X



ATEX

Approval ID: SIRA 17ATEX4208X



CSA

Approval ID: 70099415



CSAus

Approval ID: 70099415

cCSAus

IOA RPSS-I-I/HART/EX - Power/input isolating amplifier



2908452

<https://www.phoenixcontact.com/us/products/2908452>

Classifications

ECLASS

ECLASS-11.0	27141152
ECLASS-12.0	27141152
ECLASS-13.0	27141152

ETIM

ETIM 9.0	EC002780
----------	----------

UNSPSC

UNSPSC 21.0	39121400
-------------	----------

IOA RPSS-I-I/HART/EX - Power/input isolating amplifier



2908452

<https://www.phoenixcontact.com/us/products/2908452>

Environmental product compliance

EU RoHS

Fulfills EU RoHS substance requirements	Yes
Exemption	6(c), 7(a), 7(c)-I

China RoHS

Environment friendly use period (EFUP)	EFUP-50
	An article-related China RoHS declaration table can be found in the download area for the respective article under "Manufacturer declaration". For all articles with EFUP-E, no China RoHS declaration table issued and required.

EU REACH SVHC

REACH candidate substance (CAS No.)	Lead(CAS: 7439-92-1)
	2,2',6,6'-tetrabromo-4,4'-isopropylidenediphenol(CAS: 79-94-7)
SCIP	6fc6af25-2b62-46c5-ad0b-7d1ad663cad9

Phoenix Contact 2024 © - all rights reserved
<https://www.phoenixcontact.com>

Phoenix Contact USA
586 Fulling Mill Road
Middletown, PA 17057, United States
(+717) 944-1300
info@phoenixcon.com