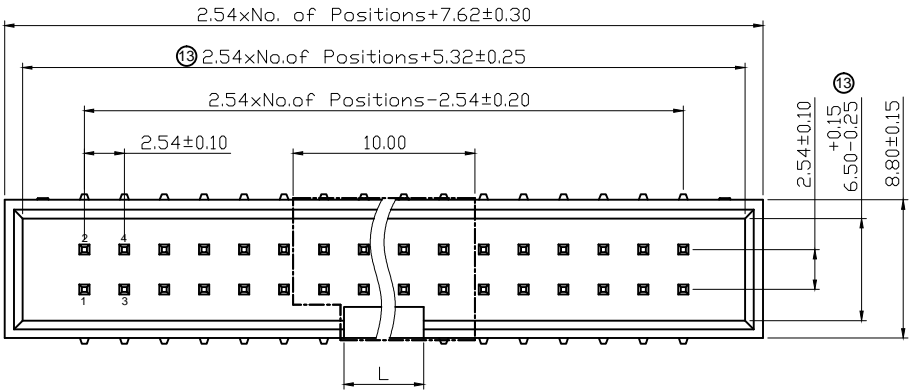


A
B
C
D
E
F
G
H

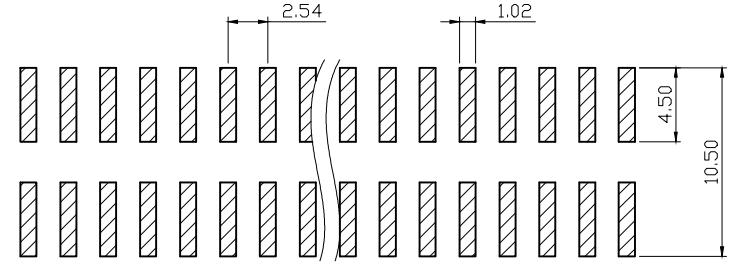
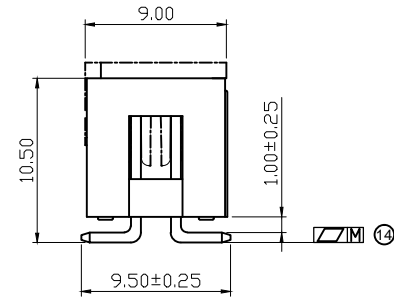
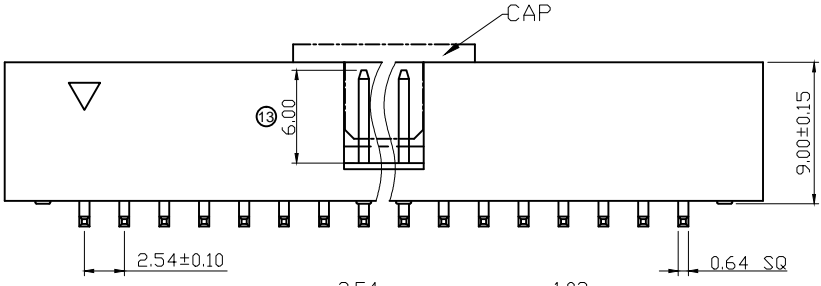


Dimension antitheses list	
No. Pin	L
6P-8P	4.00
10P-60P	4.40

NOTES:

MATERIAL

- ⑬ ⑬ 1. Insulator Material: PA9T+33%G.F.(UL94V-0), Black
 - 2. Contact Material : Brass
 - ⑭ ⑭ 3. Contact Plating : Gold flash Over Ni
- ELECTRICAL**
- 1. Current Rating : 3AMP
 - ⑬ ⑬ 2. Withstand Voltage : 500V AC/DC
 - 3. Contact Resistance : 20mΩ max
 - 4. Insulation Resistance: 1000MΩ min
- ENVIRONMENTAL**
- 1. Operation Temperature: -40°C to +105°C
- ⑭ Order Code:
 AWHW xxG-SMD-R:Tape&Reel+Cap
 AWHW xxG-SMD:Tube+Cap



Recommended PCB Layout (Top Side)
(PCB BOARD TOLERANCE±0.05)

PIN (Per Row)	6-20P	24-40P	42-64P
M	0.10	0.15	0.18

RoHS compliant
Unit: mm

⑭ File No.: E198287

Scale	Free	⑭	⑬	⑫	⑪	⑩	⑨	⑧	⑦	⑥	⑤	④	③	②	①
TOLERANCE		Add the P/N and UL E-No.	Update drawing	Add the direction of reeling	Update quantities of per reel	Update reel drawing on page 2/3/4	Add 40Pin version on page 2								
X.X	±0.40	13.07.2023	10.03.2023	30.07.2020	11.07.2017	12.04.2016	22.07.2015								
X.XX	±0.25	Peter	Daniel	Winnie	Winnie	Amy	Amy								
X.XXX	±0.15	Date	Drawn	Approved											
DIM	TOL	Name													
Angle	±3°	Customer-No.	ASSMANN WSW-No. AWHW xxG-SMD-R	⑭ AWHW xxG-SMD											
		Drawing-No.	ASS 1378A CO	rev14											
		Replace		Sheet											
				1 / 2											



A
B
C
D
E
F
G
H

1

2

3

4

5

6

7

A

B

C

D

E

F

G

H

A

B

C

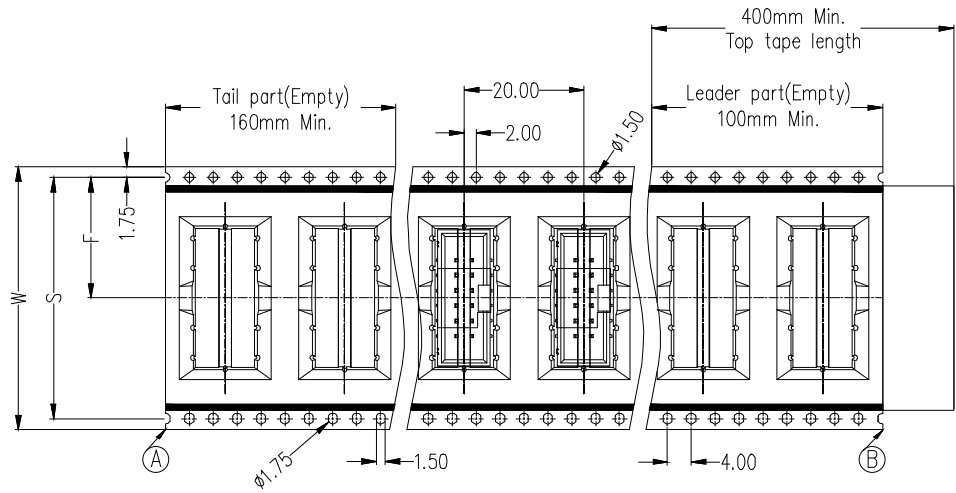
D

E

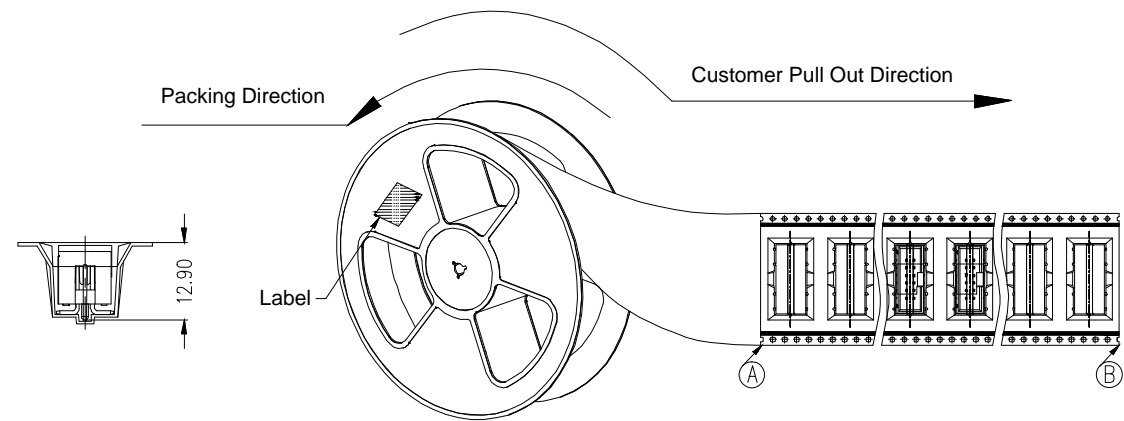
F

G

H



Pin	W	S	F	PCS/Reel
6P	32.0±0.30	28.40±0.10	14.20±0.15	250
8P	44.0±0.30	40.40±0.10	20.20±0.15	200
10P	44.0±0.30	40.40±0.10	20.20±0.15	200
12P	44.0±0.30	40.40±0.10	20.20±0.15	200
14P	44.0±0.30	40.40±0.10	20.20±0.15	200
16P	44.0±0.30	40.40±0.10	20.20±0.15	200
18P	56.0±0.30	52.40±0.10	26.20±0.15	200
20P	56.0±0.30	52.40±0.10	26.20±0.15	200
24P	56.0±0.30	52.40±0.10	26.20±0.15	200
26P	72.0±0.30	68.40±0.10	32.20±0.10	200
30P	72.0±0.30	68.40±0.10	32.20±0.10	200
34P	72.0±0.30	68.40±0.10	32.20±0.10	200
36P	88.0±0.30	84.40±0.10	42.20±0.10	200
40P	88.0±0.30	84.40±0.10	42.20±0.10	200
50P	104.0±0.30	100.40±0.10	50.20±0.10	200
60P	104.0±0.30	100.40±0.10	50.20±0.10	200



NOTES:

Reel thickness: T=0.40±0.03mm
Reel material: Black conductive polystyrene

RoHS compliant
Unit: mm
CRUS

File No.: E198287

Scale	Free	Id.	Modification	Date	Name
		14	Add the P/N and UL E-No.	13.07.2023	Peter
TOLERANCE		13	Update drawing	10.03.2023	Daniel
X.	±0.40	12	Add the direction of reeling	30.07.2020	Winnie
X.X	±0.25	11	Update quantities of per reel	11.07.2017	Winnie
X.XX	±0.15	10	Update reel drawing on page 2/3/4	12.04.2016	Amy
DIM	TOL	9	Add 40Pin version on page 2	22.07.2015	Amy
Angle	±3°				



Date	Name	Customer-No.
		ASSMANN WSW-No. AWHW xxG-SMD-R 14 AWHW xxG-SMD
		Drawing-No.
		ASS 1378A CO rev14
		Replace
		Sheet 2 / 2

1

2

3

4

5

6

7