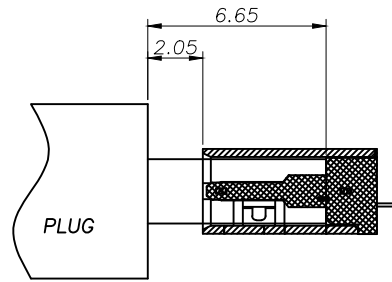


SECTION:A-A

NOTE:

- 1.MATERIAL SPECIFICATION:
  - 1.HOUSING:HIGH TEMPERATURE RESISTANT PLASTIC,UL94 V-0.
  - 2.CONTACTS:COPPER ALLOY
  - 3.MID PLATE: STAINLESS STEEL
  - 4.FRONT SHELL: STAINLESS STEEL
- 2.PLATING SPECIFICATION:
  - 2-1.CONTACTS:
    - Ni 50u" MIN. UNDER PLATED OVER ALL.
    - Au PLATED ON THE FUNCTIONAL AREA OF CONTACT.
    - (GOLD PLATING THICKNESS FOLLOW THE P/N)
    - PLATING SPECIFICATIONS OF THE SOLDER AREA FOLLOW THE P/N
  - 2-2.FRONT SHELL:
    - Ni 30u" MIN. UNDER PLATED OVER ALL.
  - 2-3.MID PLATE:
    - CLEAR ONLY
- 3.MECHANICAL PERFORMANCE,
  - 3-1.INSERTION FORCE: 0.5~2.0kgf.
  - 3-2.REMOVAL FORCE: 0.8kgf~2.0kgf.
  - 3-3.DURABILITY: 10000 CYCLES.
- 4.ELECTRICAL PERFORMANCE,
  - 4-1. CURRENT RATING:5.0A  
VOLTAGE RATING:5.0V
  - 4-2. LLCR:
    - VBUS & GND PINS AND OTHER PINS: 40mΩ/PIN MAX.
    - SHIELD: 50mΩ/MAX.
    - LLCR MAX. CHANGE OF ALL PINS: 10mΩ.
  - 4-3.INSULATION RESISTANCE: 100MΩ MIN
  - 4-4.DIELECTRIC WITHSTAND VOLTAGE,AC 100V FOR 1 MINUTE.
5. ENVIRONMENTAL PERFORMANCE:
  - OPERATING TEMPERATURE: -25°C~+85°C.
- 6.IR REFLOW:
  - THE PEAK TEMPERATURE ON THE BOARD SHALL BE MAINTAINED FOR 10 SECONDS AT 260°C.

|           |                        |                   |                   |       |                  |  |  |  |             |     |
|-----------|------------------------|-------------------|-------------------|-------|------------------|--|--|--|-------------|-----|
|           |                        |                   | GENERAL TOLERANCE |       | 制图<br>DRAWING    |  | 深圳市华灿天禄电子有限公司<br>ShenzhenhuacantianluELECTRONICS CO.,LTD |  |             |     |
|           |                        |                   | DIM               | TOL   | 审核<br>CHECK      |  |  |  |             |     |
|           |                        |                   | X.X               | ±0.30 | 批准<br>APPROVAL   |  | 产品名称<br>TITLE  | TYPE C F 16P MID MOUNT 1.0 (L=6.5)<br>单排 沉板1.0 高6.5 四脚插板 | 版本<br>REV.  | A   |
| 1         |                        |                   | 初版发行              |       | 比例<br>SCALE      |  | 产品料号<br>PART NO.   | HC-TYPE-C-16P-CB1.0                                      | 单位<br>UNITS | mm  |
| 序号<br>No. | 变更内容<br>MODIFY CONTENT | 日期<br>MODIFY DATE | Angle ±3.0°       |       | 投影<br>Projection |  | 材料<br>MATERIAL   |  | 页次<br>SHEET | 1/3 |



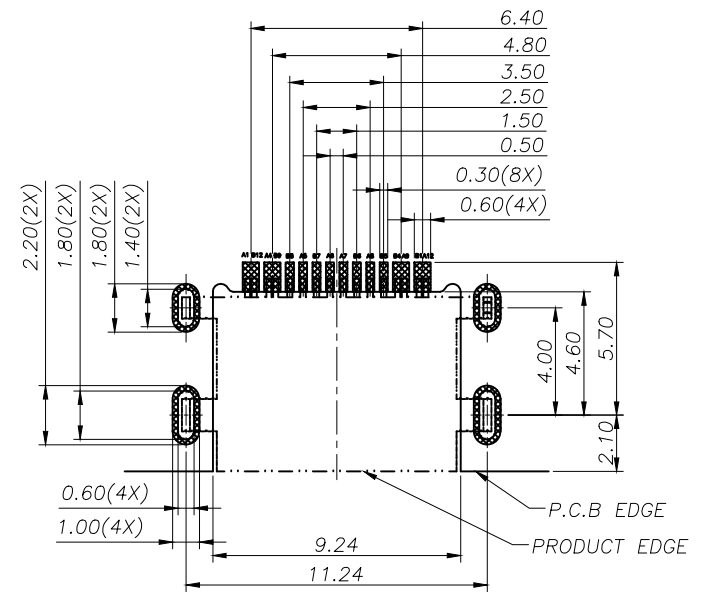
AFTER MATING

USB TYPE-C PIN ASSIGNMENTS

| PIN NUMBER | SIGNAL NAME | PIN NUMBER | SIGNAL NAME |
|------------|-------------|------------|-------------|
| A1         | GND         | B12        | GND         |
| A4         | VBUS        | B9         | VBUS        |
| A5         | CC1         | B8         | SBU2        |
| A6         | Dp1         | B7         | Dn2         |
| A7         | Dn1         | B6         | Dp2         |
| A8         | SBU1        | B5         | CC2         |
| A9         | VBUS        | B4         | VBUS        |
| A12        | GND         | B1         | GND         |

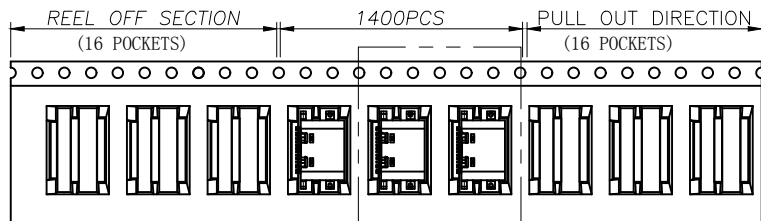
TABLE 1

| ITEM | HOUSING COLOR | FUNCTIONAL AREA | SOLDER AREA |
|------|---------------|-----------------|-------------|
| 1    | BLACK         | Au:3u"          | Au:G/F      |

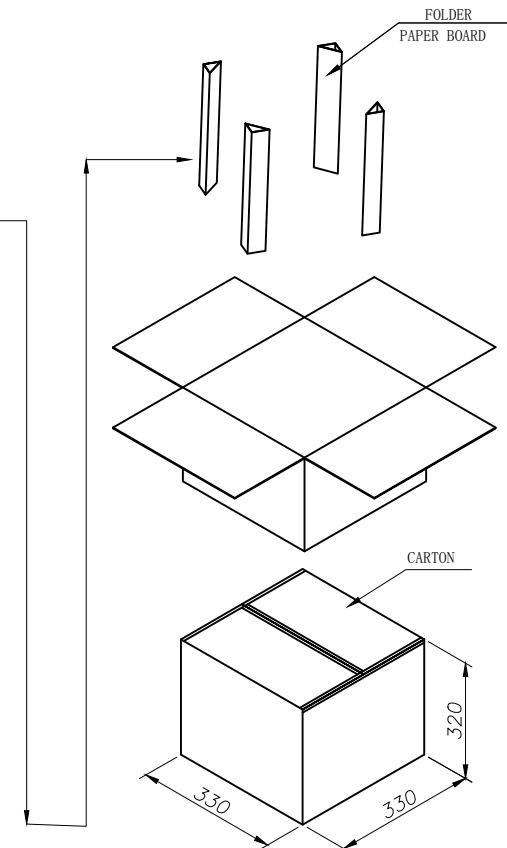
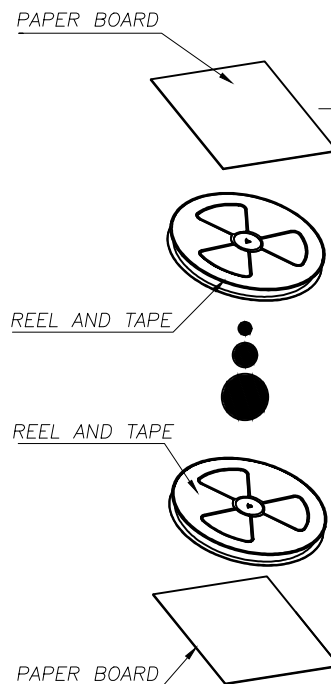
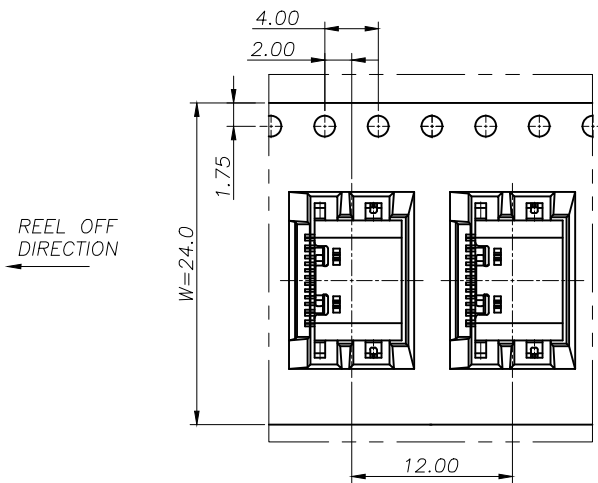
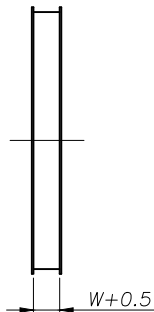
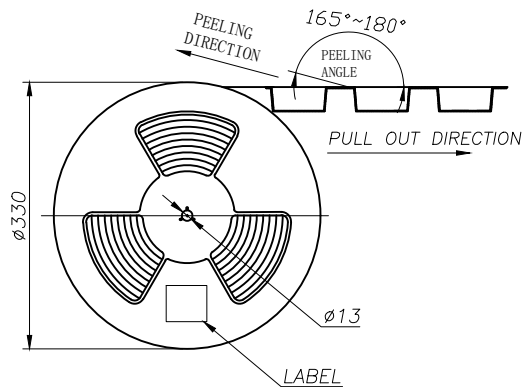


RECOMMENDED PCB LAYOUT(TOP VIEW)  
THICKNESS 0.80MM;DEFAULT TOLERANCE:±0.05

|           |                        |                   | GENERAL TOLERANCE                         | 制图<br>DRAWING    | 深圳市华灿天禄电子有限公司<br>ShenzhenhuacantianluELECTRONICS CO.,LTD |  |             |     |
|-----------|------------------------|-------------------|---|------------------|--|--|-------------|-----|
|           |                        |                   | DIM TOL                                   | 审核<br>CHECK      | 产品名称<br>TITLE  | TYPE C F 16P MID MOUNT 1.0 (L=6.5)<br>单排 沉板1.0 高6.5 四脚插板 | 版本<br>REV.  | A   |
| 1         | 初版发行                   |                   | X.X ±0.30                                 | 批准<br>APPROVAL   | 产品料号<br>PART NO.   | HC-TYPE-C-16P-CB1.0                                      | 单位<br>UNITS | mm  |
| 序号<br>No. | 变更内容<br>MODIFY CONTENT | 日期<br>MODIFY DATE | X.XXX ±0.20<br>X.XXX ±0.10<br>Angle ±3.0° | 投影<br>Projection | 材料<br>MATERIAL   |  | 页次<br>SHEET | 2/3 |



SEE DETAIL X



|                 |      |        |
|-----------------|------|--------|
|                 | REEL | CARTON |
| CONNECTOR (PCS) | 1400 | 14000  |

|           |                        |                   |                   |                  |  |  |             |     |
|-----------|------------------------|-------------------|-------------------|------------------|--|--|-------------|-----|
|           |                        |                   | GENERAL TOLERANCE | 制图<br>DRAWING    | 深圳市华灿天禄电子有限公司<br>ShenzhenhuaciantianluELECTRONICS CO., LTD |  |             |     |
|           |                        |                   | DIM TOL           | 审核<br>CHECK      |  |  |             |     |
|           |                        |                   | X.X ±0.30         | 批准<br>APPROVAL   | 产品名称<br>TITLE  | TYPE C F 16P MID MOUNT 1.0 (L=6.5)<br>单排 沉板1.0 高6.5 四脚插板-包装图 | 版本<br>REV.  | A   |
| 1         | 初版发行                   |                   | X.XX ±0.20        | 比例<br>SCALE      | 产品料号<br>PART NO.   | HC-TYPE-C-16P-CB1.0  | 单位<br>UNITS | mm  |
| 序号<br>No. | 变更内容<br>MODIFY CONTENT | 日期<br>MODIFY DATE | X.XXX ±0.10       | 投影<br>Projection | 材料<br>MATERIAL   |  | 页次<br>SHEET | 1/3 |
|           |                        |                   | Angle ±3.0°       |                  |  |  |             |     |