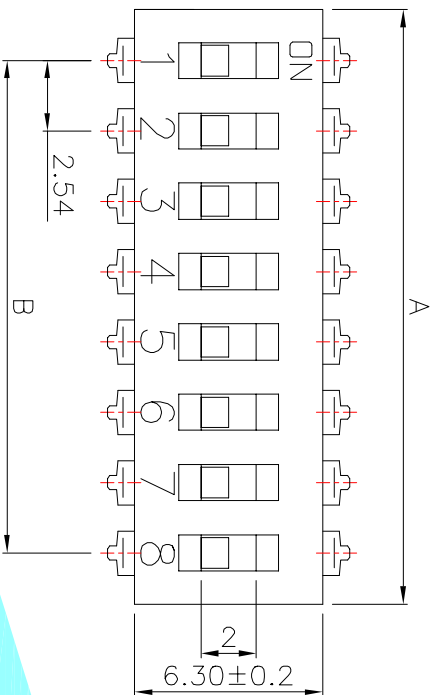
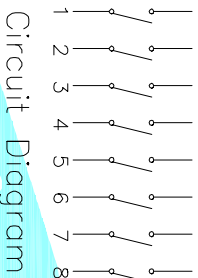


NOTE:

1. Rating: 24V 25mA DC
2. Insulation Resistance: $\geq 100 \text{ M}\Omega$
3. Withstand Voltage: AC 500V 1Minute
4. Operating Force Range: 800gf Max
5. Mechanical Life: 3,000 Cycles
6. Operating Temperature range: $-20^{\circ}\text{C} \sim +70^{\circ}\text{C}$
7. Ambient Humidity used: $\leq 85\% \text{RH}$

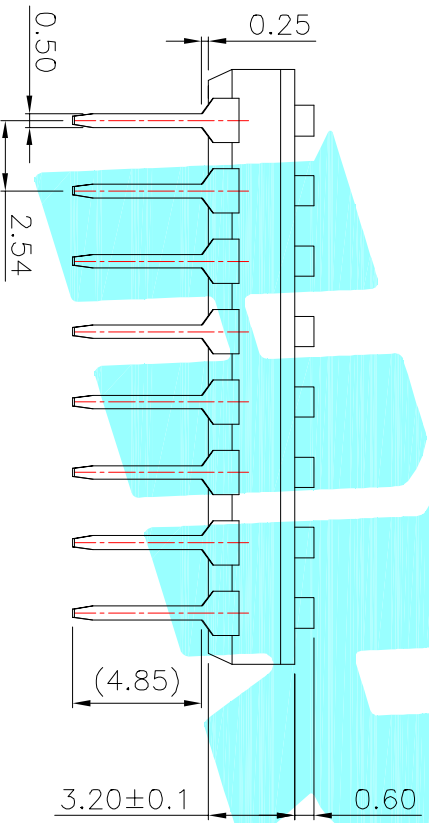
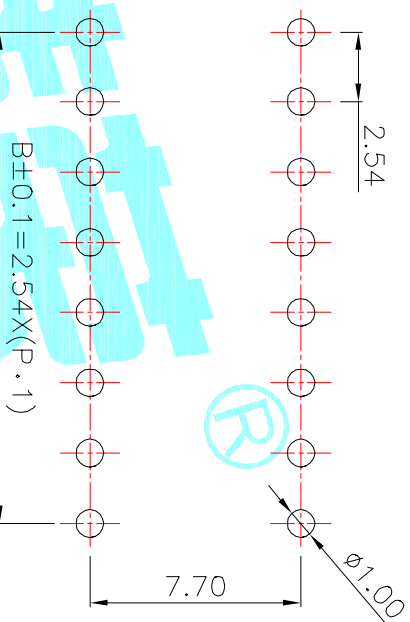


6.30 ± 0.2

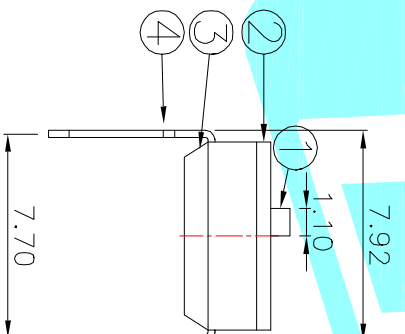


Circuit Diagram

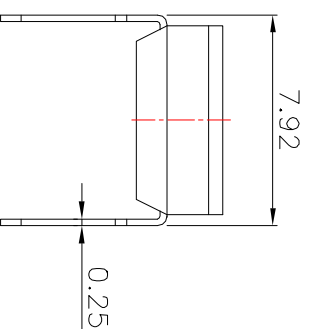
PCB Layout (Pattern Side)



凸柄 (P)



短柄 (S)



Position(位数)	2P	3P	4P	5P	6P	7P	8P	9P	10P	12P
DIM.A(长度)	6.00	8.54	11.08	13.62	16.16	18.70	21.24	23.78	26.32	31.40
DIM.B(长度)	2.54	5.08	7.62	10.16	12.70	15.24	17.78	20.32	22.86	27.94
PART NO.	ES-02KP	ES-03KP	ES-04KP	ES-05KP	ES-06KP	ES-07KP	ES-08KP	ES-09KP	ES-10KP	ES-12KP
端子/短柄(S)	ES-02KS	ES-03KS	ES-04KS	ES-05KS	ES-06KS	ES-07KS	ES-08KS	ES-09KS	ES-10KS	ES-12KS

ITEM	PART NAME	TER.NO.	QTY.	MATERIAL	FINISHING	REMARK
④	Terminal	—	—	Phosphor bronze	Au Plating	—
③	Base	—	1	PBT	Black	—
②	Cover	—	1	PBT	Black	—
①	Keystroke	—	—	PBT	White	—

APPROVALS	DATE
DRAWN	2014/02/13

ELECTRONICS CO.,LTD



ECN NO.	REV.	DATE.	DESCRIPTION.	CHANGE.	CHECK.	APPRO.
	A		NEW			

CHECKED	TITLE:	PART NO.	SCALE:	PROJ.:
APPROVALS	MULTIFUNCTIONAL SWITCHES	ES-□□□□	1:1	□□□□
TOLERANCES ARE				
30~100μm	±0.30	ANGLE		
10~30	±0.20	UNIT: mm		
5~10	±0.15	DRAWING NO.		
~5	±0.10			