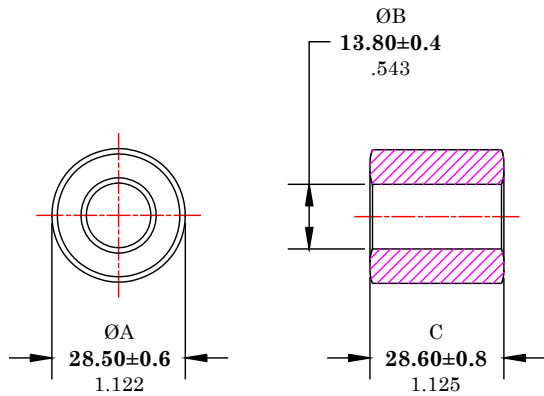


** Not all features are shown in this drawing. For more detailed information, please contact your Fair-Rite representative.

UNCONTROLLED ~CATALOG~ DRAWING

SIZE	PART NO.	REV.
B	2631101902	~



DIMENSIONS
BOLD NUMBERS ARE IN MILLIMETERS
 LIGHT NUMBERS ARE IN INCHES

ELECTRICAL SPECIFICATIONS							
$\Sigma l/A(\text{mm}^{-1})$	l_e (mm)	A_e (mm ²)	V_e (mm ³)	L_o (nH)	IMPEDANCE (OHMS)		
					10 MHz	25 MHz	100 MHz
0.30292	61.0	201	12266	4.148	85 Min.	125 Min.	200 Min.
N=1, #22 AWG, WL=2.5"							

NOTES:

- 1 - BURNISH TO BREAK SHARP EDGES.
- 2 - IMPEDANCE MEASURED ON AN E4991A USING A 16092A TEST FIXTURE.

FR# 31

FAIR-RITE PRODUCTS CORP.							
TITLE ROUND SUPPRESSION CORE							
DRAWN BY D. FOOTE	DATE 2/21/2020	SIZE	PART NO.			REV.	
CHKD BY		B	2631101902			~	
APPRVD BY		SCALE	NONE	SHEET 1 of 1			