

FLKM 50-PA/SC/DIO/S7-1500 - Front adapter



2907383

<https://www.phoenixcontact.com/us/products/2907383>

Please be informed that the data shown in this PDF document is generated from our online catalog. Please find the complete data in the user documentation. Our general terms of use for downloads are valid.



VARIOFACE front adapter with screw connection, for SIMATIC® S7-1500 digital 35 mm modules, 1x 32 channels can be connected.

Commercial data

Item number	2907383
Packing unit	1 pc
Minimum order quantity	1 pc
Sales key	C421
Product key	CK231S
Catalog page	Page 492 (C-5-2019)
GTIN	4055626256542
Weight per piece (including packing)	92.6 g
Weight per piece (excluding packing)	92.6 g
Customs tariff number	85369010
Country of origin	RO

FLKM 50-PA/SC/DIO/S7-1500 - Front adapter



2907383

<https://www.phoenixcontact.com/us/products/2907383>

Technical data

Product properties

Product type	Front adapter
Data management status	
Article revision	00
Insulation characteristics	
Overvoltage category	II
Pollution degree	2

Electrical properties

Max. permissible operating voltage	< 50 V DC
Max. permissible current	1 A (per path)
Max. permissible total current	2 A (per byte when supplying from the module side)
	12 A (When supplying via the front adapter)
Nominal operating mode	100% operating factor
Rated surge voltage	0.5 kV
Supported controller SIEMENS S7-1500	
Suitable I/O card	6ES7521-1BL00-0AB0
	6ES7522-1BL00-0AB0
	6ES7522-1BL01-0AB0

Connection data

Field level

Connection method	IDC/FLK pin strip
Number of connections	1
Number of positions	50
Pitch	2.54 mm

Supply

Connection method	Screw connection
Tightening torque	0.4 Nm

Dimensions

Item dimensions

Width	29.8 mm
Height	130.4 mm
Depth	46 mm

Environmental and real-life conditions

Ambient conditions

FLKM 50-PA/SC/DIO/S7-1500 - Front adapter



2907383

<https://www.phoenixcontact.com/us/products/2907383>

Degree of protection	IP20
Ambient temperature (operation)	-25 °C ... 60 °C
Ambient temperature (storage/transport)	-40 °C ... 70 °C

Standards and regulations

Standards/regulations	IEC 61131-2
-----------------------	-------------

Notes

Notes on operation	For proper use, the specifications of the installation directive (see Downloads) must be observed. For applications or use with third-party products, the specifications, and the safety and warning instructions of the respective third-party manufacturer must also be met.
--------------------	--

FLKM 50-PA/SC/DIO/S7-1500 - Front adapter

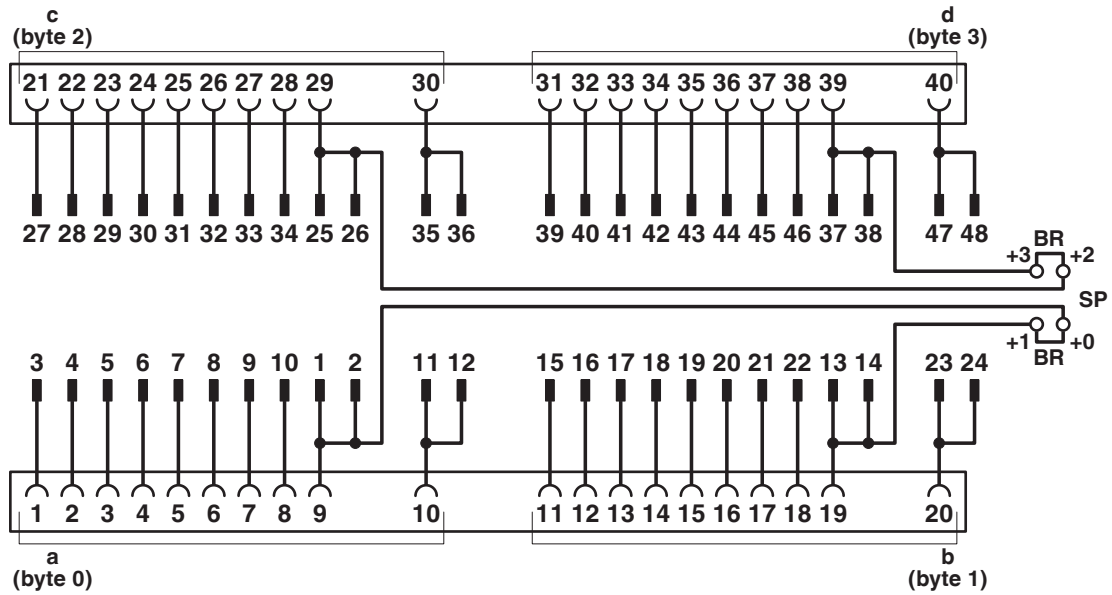


2907383

<https://www.phoenixcontact.com/us/products/2907383>

Drawings

Circuit diagram



FLKM 50-PA/SC/DIO/S7-1500 - Front adapter



2907383

<https://www.phoenixcontact.com/us/products/2907383>

Approvals

To download certificates, visit the product detail page: <https://www.phoenixcontact.com/us/products/2907383>



EAC

Approval ID: RU C-DE.A*30.B00767



UL Listed

Approval ID: E238705



cUL Listed

Approval ID: E238705

cULus Listed

FLKM 50-PA/SC/DIO/S7-1500 - Front adapter



2907383

<https://www.phoenixcontact.com/us/products/2907383>

Classifications

ECLASS

ECLASS-12.0	27242292
ECLASS-11.0	27242292
ECLASS-13.0	27242292

ETIM

ETIM 9.0	EC002584
----------	----------

UNSPSC

UNSPSC 21.0	32151600
-------------	----------

FLKM 50-PA/SC/DIO/S7-1500 - Front adapter



2907383

<https://www.phoenixcontact.com/us/products/2907383>

Environmental product compliance

EU RoHS

Fulfills EU RoHS substance requirements	Yes, No exemptions
---	--------------------

China RoHS

Environment friendly use period (EFUP)	EFUP-50
	An article-related China RoHS declaration table can be found in the download area for the respective article under "Manufacturer declaration". For all articles with EFUP-E, no China RoHS declaration table issued and required.

EU REACH SVHC

REACH candidate substance (CAS No.)	No substance above 0.1 wt%
-------------------------------------	----------------------------

Phoenix Contact 2024 © - all rights reserved
<https://www.phoenixcontact.com>

Phoenix Contact USA
586 Fulling Mill Road
Middletown, PA 17057, United States
(+717) 944-1300
info@phoenixcon.com