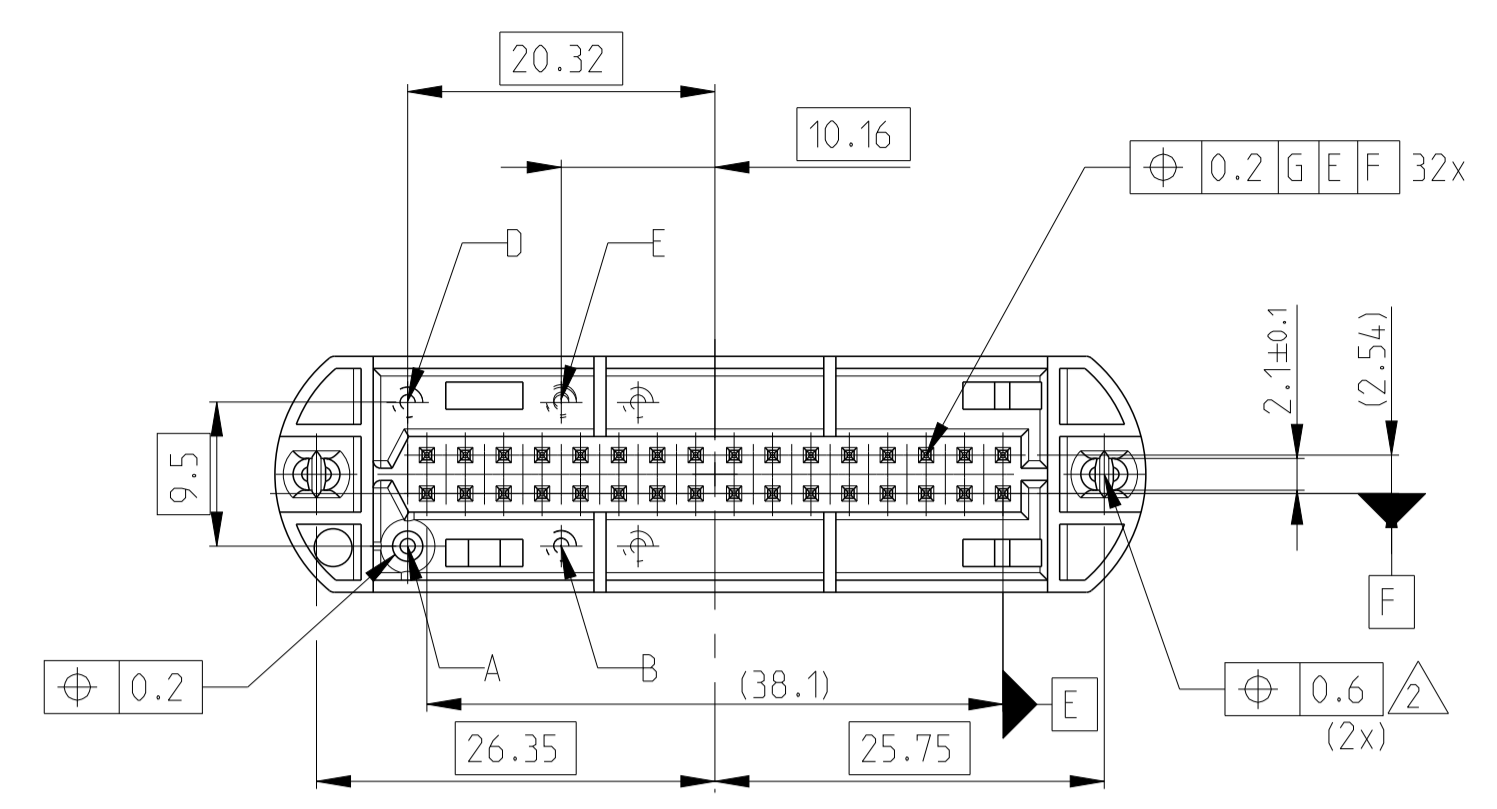
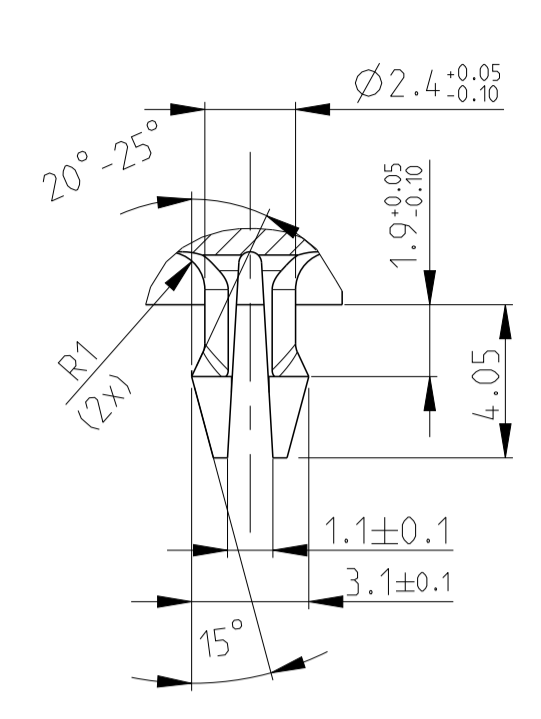


| REVISONS | | REVISIONS | | | | |
|----------|------|-----------|---------------|---------|-----|------|
| LOC | DIST | REV | DESCRIPTION | DATE | DNW | APVD |
| ES | 00 | A | RELEASE | 30JUN11 | E.X | I.Y |
| | | A1 | ECR-11-015805 | 01AUG11 | E.X | I.Y |
| | | A2 | ECR-13-012747 | 12AUG13 | X.L | I.Y |
| | | A3 | ECR-19-013351 | 22AUG19 | E.L | W.W |

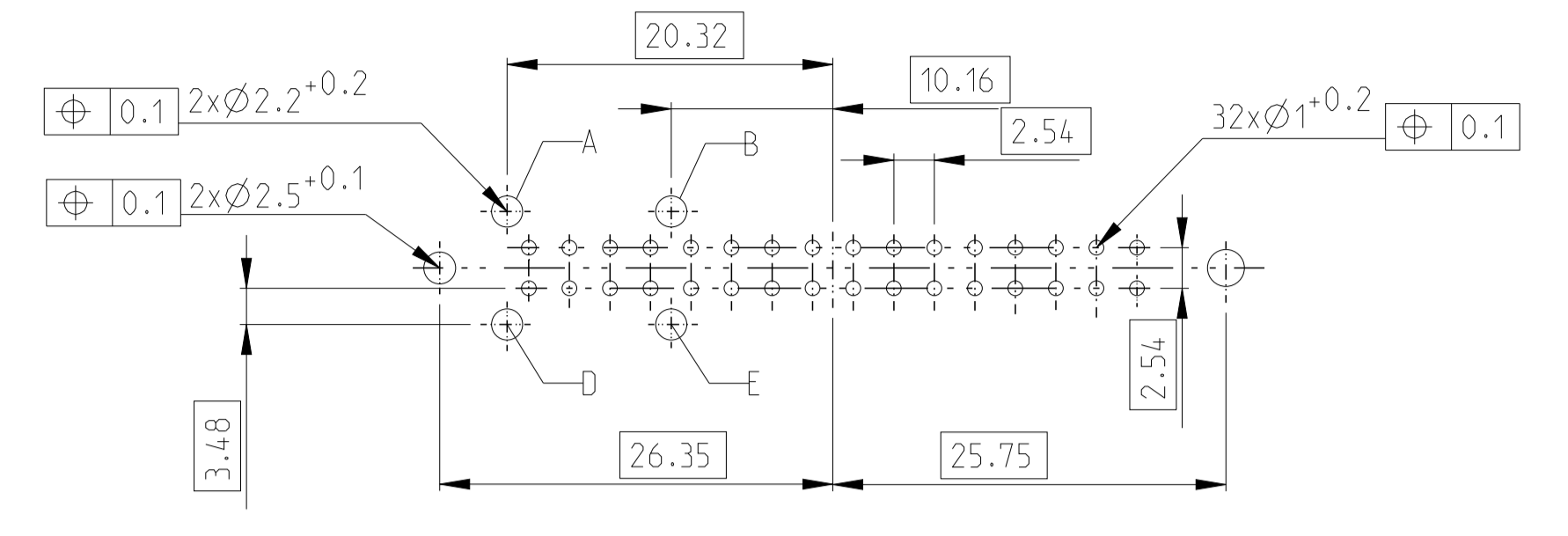
CODING A-F. SOLDER SIDE



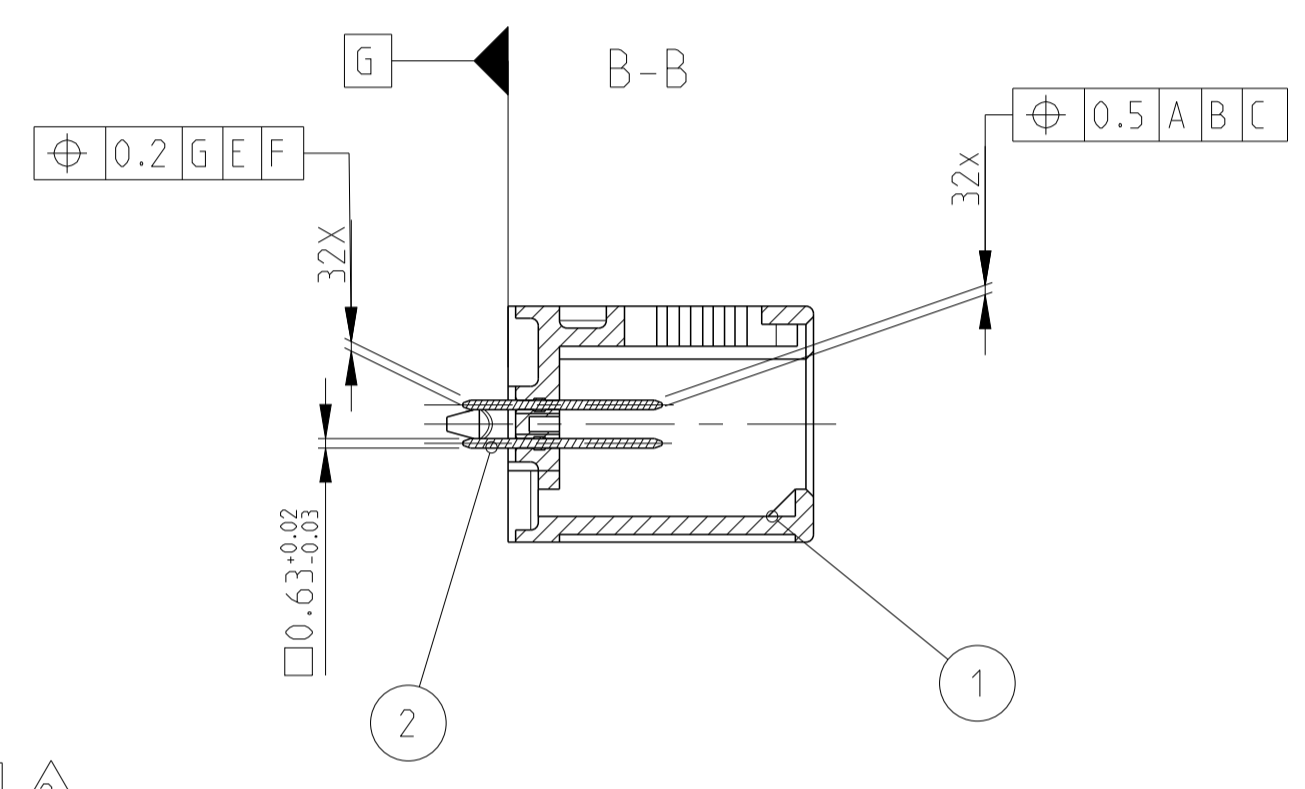
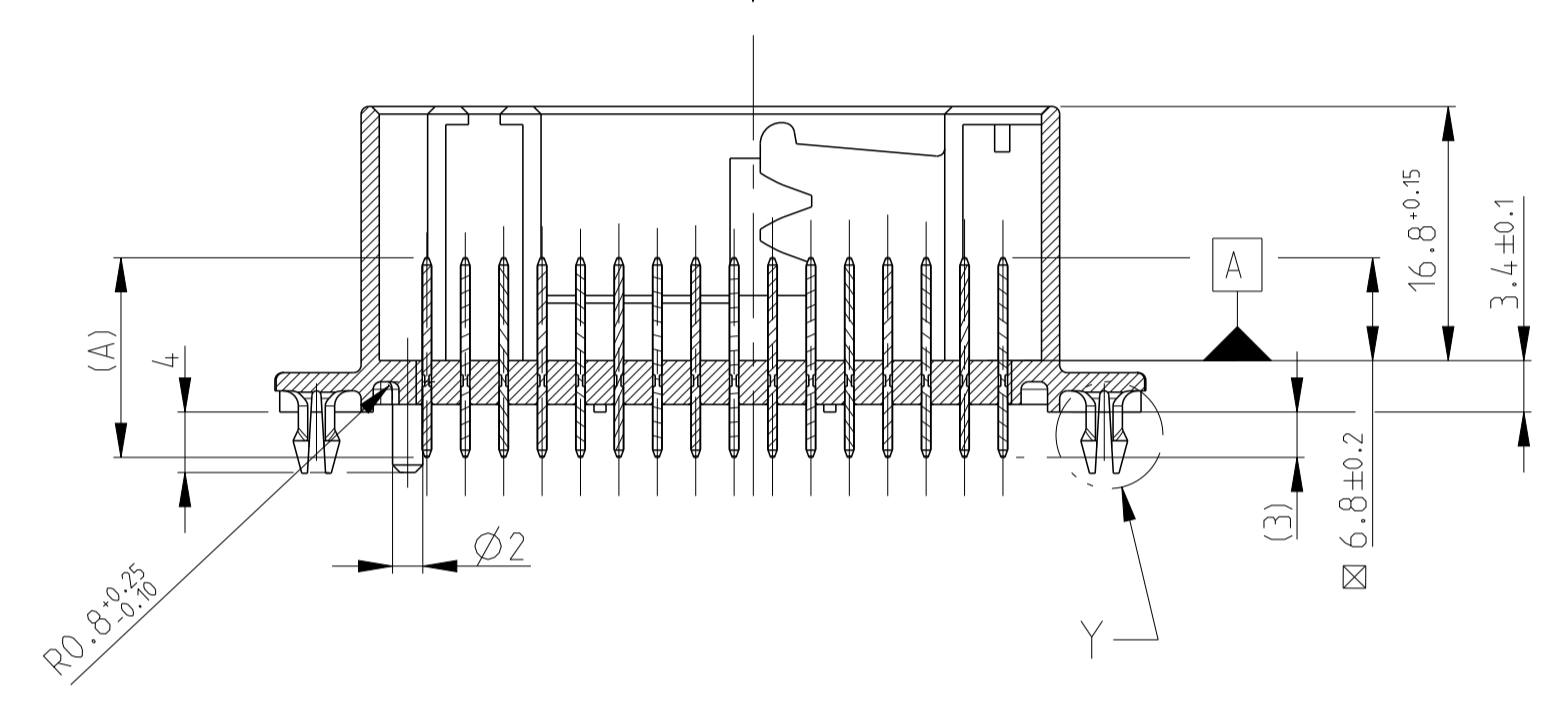
DETAIL "Y"



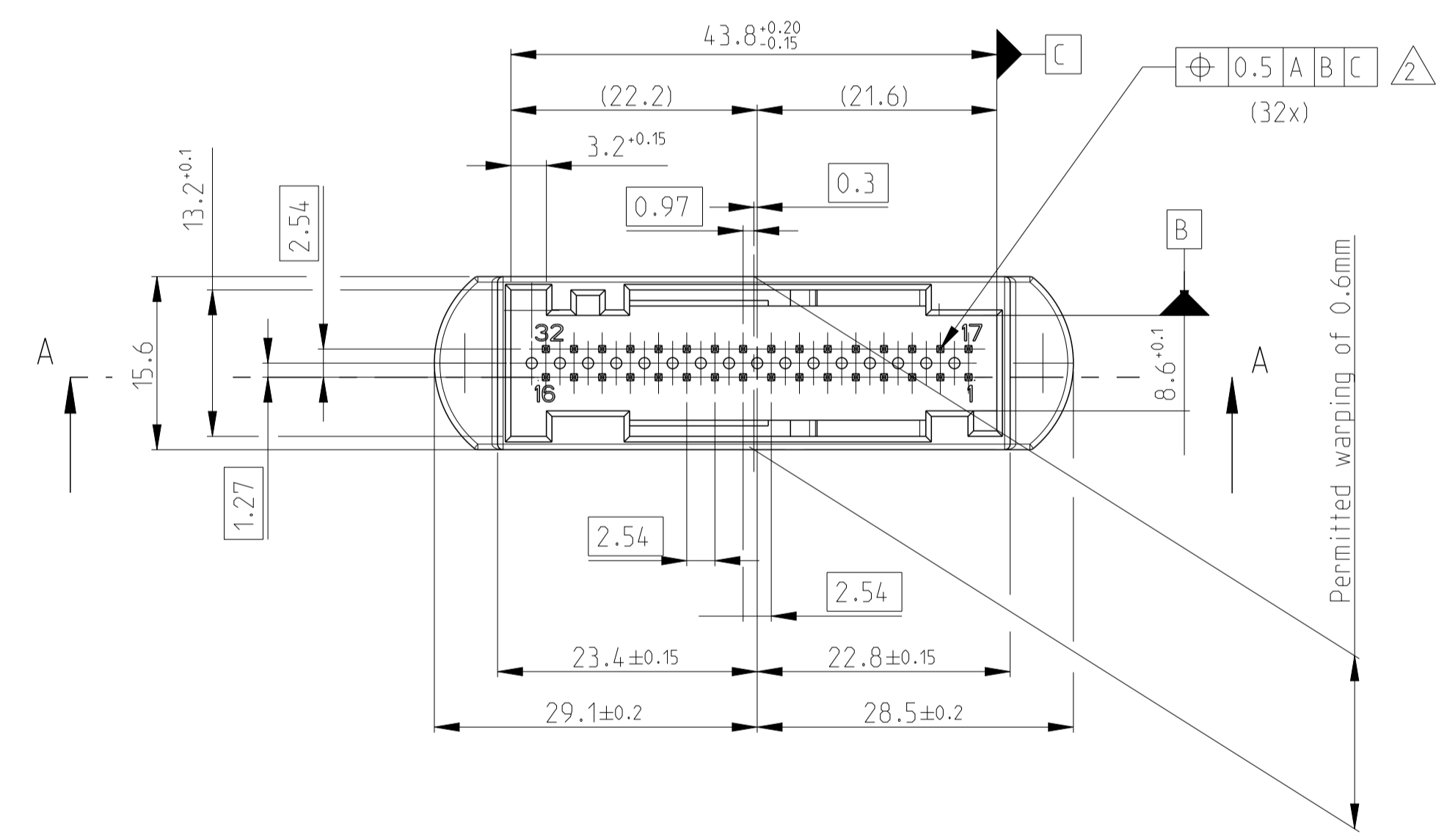
PCB LAYOUT



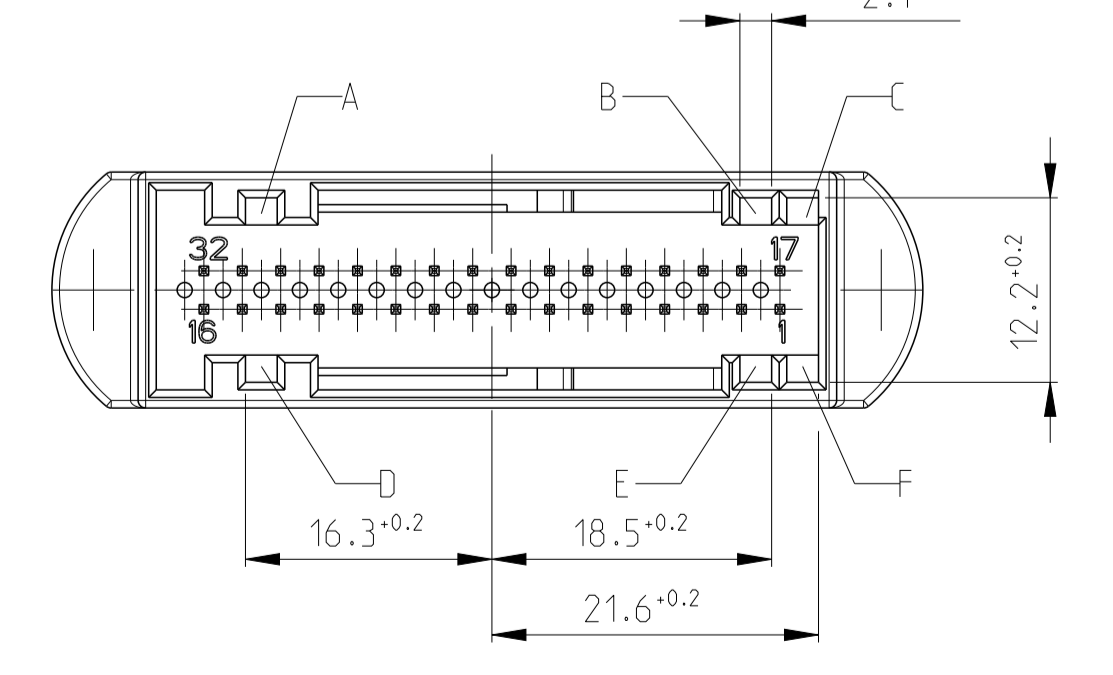
SECTION A-A X



- NOTES:
- 1 THE EXECUTION OF THE PRINTED CIRCUIT BOARD CODING AND THE CODING SLOTS, SEE TABLE
 - 2 FORM- AND POSITION TOLERANCE; "POSITION" IS VALID ONLY FOR THE APPROPRIATED POINTS
 - 3 SURFACE: TIN PLATING 2.0 µm - 4.0 µm (PER FINISH SPEC 112-16-2) OVER 1.27 µm - 2.2 µm NICKEL (PER FINISH SPEC 112-42-3) /ELECTRO PLATED. MAT
 4. MATING PARTS SEE TE P/N2050723-X
 5. ELECTRICAL CONTRAL. OPEN CIRCUIT. SHORT CIRCUIT
 6. SYMBOL ■ DIMENSION IS SIGNIFICANT CHARACTERISTIC
 SYMBOL □ DIMENSION IS MAJOR CHARACTERISTIC



VIEW "X" ALL CODING SHOWN, MATING SIDE



| CODING | MATING | | | | PINS | TYPE | DIM | MATERIAL | FINISH | SURFACE | RAL |
|---|--------|-----|-----|-------------|------|------|-----|----------|--------|---------|-----|
| | SIZE | POS | QTY | DESCRIPTION | | | | | | | |
| 0 | PLC | - | - | - | 0 | PLC | - | - | - | - | - |
| 1 | PLC | - | - | - | 1 | PLC | - | - | - | - | - |
| 2 | PLC | - | - | - | 2 | PLC | - | - | - | - | - |
| 3 | PLC | - | - | - | 3 | PLC | - | - | - | - | - |
| 4 | PLC | - | - | - | 4 | PLC | - | - | - | - | - |
| ANGLES | | | | | | | | | | | |
| FINISH | | | | | | | | | | | |
| DIMENSIONS: DIM IN MM UNLESS OTHERWISE SPECIFIED: 0.1 | | | | | | | | | | | |
| TOLERANCES UNLESS OTHERWISE SPECIFIED: 0.1 | | | | | | | | | | | |
| MATERIAL: - | | | | | | | | | | | |
| FINISH: - | | | | | | | | | | | |
| WEIGHT: - | | | | | | | | | | | |
| CUSTOMER DRAWING | | | | | | | | | | | |

| OWN | 30JUN2011 | TE Connectivity |
|-------------------------------|-----------|-----------------|
| CHK | R.DONG | Shanghai China |
| APVD | L.YIN | NAME |
| PRODUCT SPEC | | |
| APPLICATION SPEC | | |
| SIZE | | |
| CAGE CODE | | |
| DRAWING NO | | |
| RESTRICTED TO | | |
| SCALE 2:1 SHEET 1 OF 1 REV A3 | | |