

650473-5 ✓ ACTIVE

## EUROCARD

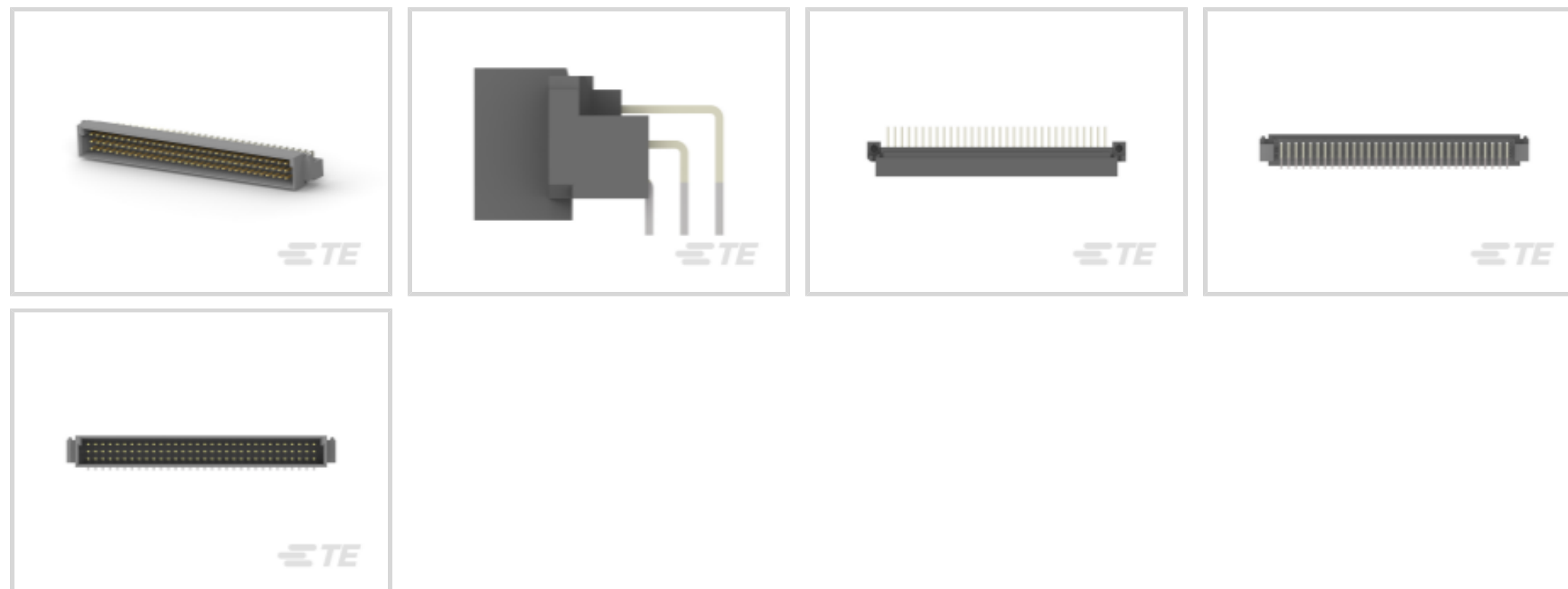
TE Internal #: 650473-5

Board-to-Board, 96 Position, 2.54 mm [.1 in] Centerline, 3 Row, Gray, Glass-Filled Polyester, Fully Loaded, Plug, Standard Edge Connectors

[View on TE.com >](#)



Connectors > PCB Connectors > Card Edge Connectors > Standard Edge Connectors



Connector System: **Board-to-Board**

Number of Positions: **96**

Centerline (Pitch): **2.54 mm [.1 in]**

Number of Rows: **3**

Primary Product Color: **Gray**

### Features

#### Product Type Features

Connector System	Board-to-Board
Connector & Housing Type	Plug
Connector & Contact Terminates To	Printed Circuit Board

#### Configuration Features

Number of Positions	96
Number of Rows	3
Connector Contact Load Condition	Fully Loaded
PCB Mount Orientation	Right Angle

#### Body Features

Primary Product Color	Gray
-----------------------	------

#### Mechanical Attachment

Connector Mounting Type	Board Mount
-------------------------	-------------

#### Housing Features

--	--



Centerline (Pitch)	2.54 mm[.1 in]
Housing Material	Glass-Filled Polyester

### Dimensions

Row-to-Row Spacing	2.54 mm[.1 in]
--------------------	----------------

### Usage Conditions

Operating Temperature Range	-55 – 105 °C[-67 – 221 °F]
-----------------------------	----------------------------

### Operation/Application

Circuit Application	Signal
---------------------	--------

## Product Compliance

[For compliance documentation, visit the product page on TE.com>](#)

EU RoHS Directive 2011/65/EU	Compliant
EU ELV Directive 2000/53/EC	Compliant
China RoHS 2 Directive MIIT Order No 32, 2016	No Restricted Materials Above Threshold
EU REACH Regulation (EC) No. 1907/2006	Current ECHA Candidate List: JUNE 2024 (241) Candidate List Declared Against: JUNE 2024 (241) Does not contain REACH SVHC
Halogen Content	Not Low Halogen - contains Br or Cl > 900 ppm.
Solder Process Capability	Wave solder capable to 240°C

#### Product Compliance Disclaimer

This information is provided based on reasonable inquiry of our suppliers and represents our current actual knowledge based on the information they provided. This information is subject to change. The part numbers that TE has identified as EU RoHS compliant have a maximum concentration of 0.1% by weight in homogenous materials for lead, hexavalent chromium, mercury, PBB, PBDE, DBP, BBP, DEHP, DIBP, and 0.01% for cadmium, or qualify for an exemption to these limits as defined in the Annexes of Directive 2011/65/EU (RoHS2). Finished electrical and electronic equipment products will be CE marked as required by Directive 2011/65/EU. Components may not be CE marked. Additionally, the part numbers that TE has identified as EU ELV compliant have a maximum concentration of 0.1% by weight in homogenous materials for lead, hexavalent chromium, and mercury, and 0.01% for cadmium, or qualify for an exemption to these limits as defined in the Annexes of Directive 2000/53/EC (ELV). Regarding the REACH Regulation, the information TE provides on SVHC in articles for this part number is based on the latest European Chemicals Agency (ECHA) 'Guidance on requirements for substances in articles' posted at this URL: <https://echa.europa.eu/guidance-documents/guidance-on-reach>

## Compatible Parts




TE Part # 925486-1  
MOD. IV SNAP-IN HSG 96 POS.



TE Part # 5650461-5  
ASSY,RECEPTACLE,EUROCARD,TYPE



TE Part # 650992-5  
096 ENHNCD EURO RECEPT AP ASSY



TE Part # 1-148057-5  
096 EURO TYP C RECP 13MM ASSY



TE Part # 5535043-5  
ASSY,RECEPTACLE,EUROCARD,TYPE



TE Part # 5535089-5  
ASSEMBLY,RECEPTACLE,EUROCARD, T



TE Part # 5650908-5  
ASSY,PIN,EUROCARD,TYPE R,LEAD-



TE Part # 5536412-4  
ASSY,RECEPT,EURO,TYPE C,LEAD-FREE,96,.18



TE Part # 5148057-5  
ASSY,RECEPTACLE,EUROCARD,TYPE C,LEAD-FRE



TE Part # 5650473-5  
ASSY,PIN,EUROCARD,TYPE C,LEAD-



TE Part # 5536418-5  
ASSY,RECEPT,EURO,TYPE C,LEAD-F



TE Part # 5535090-4  
ASSEMBLY,RECEPTACLE,EUROCARD, T



TE Part # 535043-4  
096 EURO TYPE C RECEPT ST ASSY



TE Part # 5148059-5  
ASSY,RECEPTACLE,EUROCARD,TYPE C,LEAD-FRE



TE Part # 5650963-4  
ASSY,RECEPTACLE,EUROCARD,TYPE C,LEAD-FRE



TE Part # 5536405-5  
ASSY,PIN,EUROCARD,TYPE C,LEAD-



TE Part # 5535043-4  
ASSY,RECEPTACLE,EUROCARD,TYPE



TE Part # 5650895-4  
ASSY,RECEPT,EUROCARD,TYPE R,LE

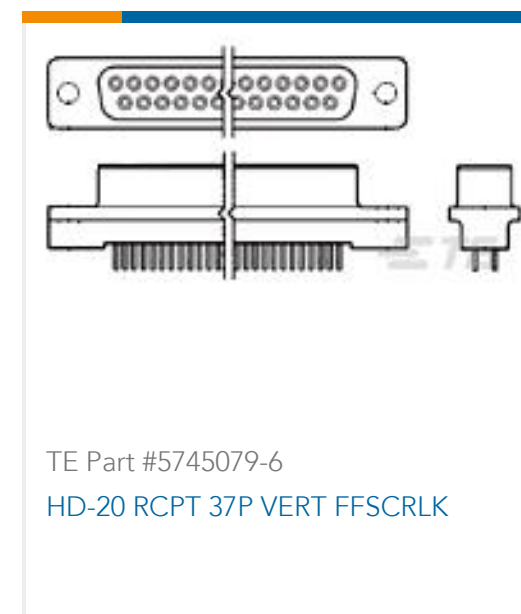
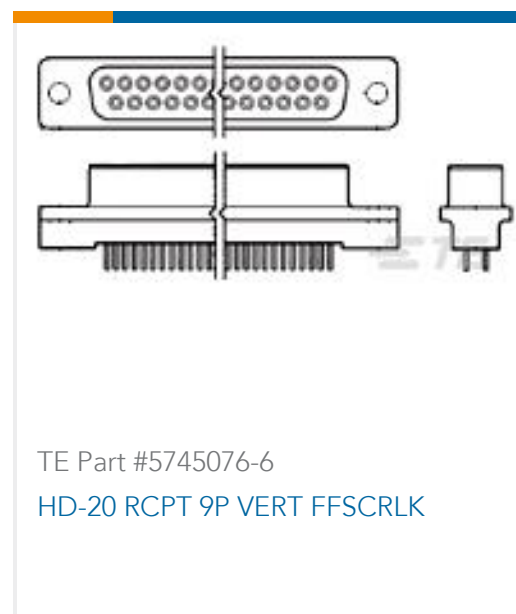
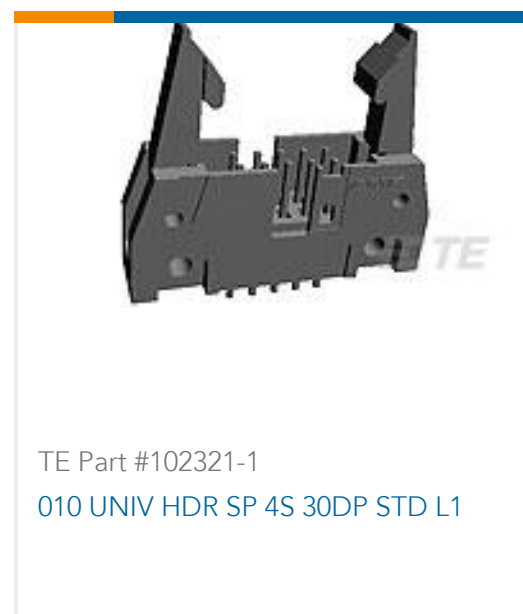


TE Part # 5535090-5  
ASSEMBLY,RECEPTACLE,EUROCARD, T



TE Part # 5650947-5  
ASSY,PIN,EUROCARD,TYPE C,LEAD-

## Customers Also Bought



## Documents

### Product Drawings

096 EURO TYPE C PIN ST ASSY

English

### CAD Files

3D PDF

3D

Customer View Model

[ENG\\_CVM\\_CVM\\_650473-5\\_W\\_c-650473-5-w.2d\\_dxf.zip](#)

English

Customer View Model

[ENG\\_CVM\\_CVM\\_650473-5\\_W\\_c-650473-5-w.3d\\_igs.zip](#)

English

Customer View Model

[ENG\\_CVM\\_CVM\\_650473-5\\_W\\_c-650473-5-w.3d\\_stp.zip](#)

English

By downloading the CAD file I accept and agree to the [Terms and Conditions](#) of use.

## Product Specifications



[Application Specification](#)

English

[Application Specification](#)

English

---

[Instruction Sheets](#)

[Instruction Sheet \(U.S.\)](#)

English