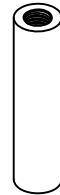
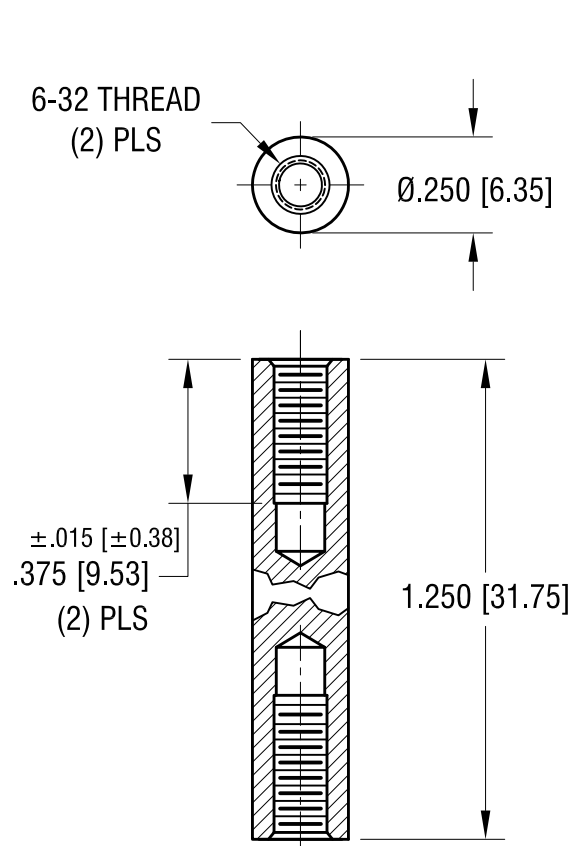


THIS DOCUMENT IS THE PROPERTY OF
KEYSTONE ELECTRONICS CORP. AND
SHALL NOT BE REPRODUCED, DISTRIBUTED
OR USED AS A BASIS FOR MANUFACTURE
WITHOUT PRIOR WRITTEN PERMISSION
FROM KEYSTONE ELECTRONICS CORP.

ACTUAL SIZE



KEYSTONE ELECTRONICS CORP.			
www.keyelco.com • NEW HYDE PARK NY 11040 • Tel (516)328-7500			
PART NAME			
THREADED ROUND STANDOFF			
MATERIAL			
LEAD FREE ALUMINUM			
FINISH		DRN BY	DATE
CLEAR IRIDITE		BOONE	3.12.98
		APP'D	SCALE
		RH	2X
TOLERANCES		INCH	[MM]
DECIMAL		± .005	[± 0.13]
ANGULAR		± 1°	
UNLESS OTHERWISE SPECIFIED		CODE	DWG NO.
		C	1853

1.04.24	CHANGE AS PER ECN 24-011	A
DATE	DESCRIPTION	REV.