

16-3P

16-3P-Series

PUSHBUTTON SWITCHES

The 16-3P-Series pushbutton switches are single pole and AC rated up to 3 amps. These momentary action switches have a slow-make, slow-break contact mechanism and require only light actuation force (4 oz. - 1 lb.). These switches are typically used in general purpose applications requiring finger actuation.



Product Highlights:

- ◆ Maintained, Momentary and 2 circuit function choices
- ◆ Available with optional overtravel plunger action
- ◆ Light 4 oz – 1 lb actuation force
- ◆ Metal plunger available with optional colored plastic cap

Typical Applications:

- ◆ Test & Measurement
- ◆ Audio Visual



Dielectric Strength

UL/CSA: 1000V - live to dead metal parts

Electrical Life

25,000 cycles

Mechanical Life

100,000 cycles

Operating Temperature

32°F to 185°F (0°C to 85°C)

16-3POFF - **4** - **CBL**

¹
Base Part Number

²
Bushing

³
Actuator Style

1 BASE PART NUMBER: SERIES / POLES / CIRCUITRY / RATING / TERMINATION

Single Pole	Solder Lug	Wire Leads
3A 125VAC		
Off-(On)	16-3P Off	16-3AP Off
Off-(On) with overtravel ¹	16-3P Off-Ov	16-3AP Off-Ov
On-(Off)	16-3P On	16-3AP On
1A 125VAC		
On-On	116-P	116-AP
On-On with overtravel ¹	116-P-OV	116-AP-OV
1 On-1 Off (2 circuit)	516-P	516-AP
1 On-1 Off with overtravel ¹ (2 circuit)	516-P-OV	516-AP-OV

2 BUSHING STYLE

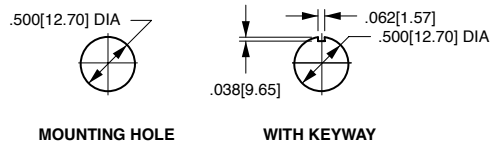
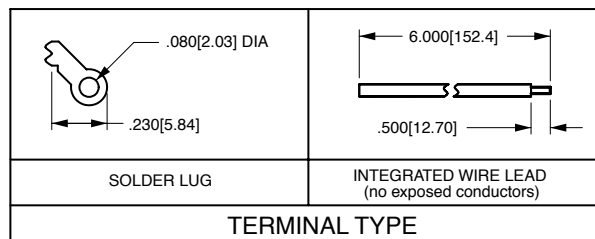
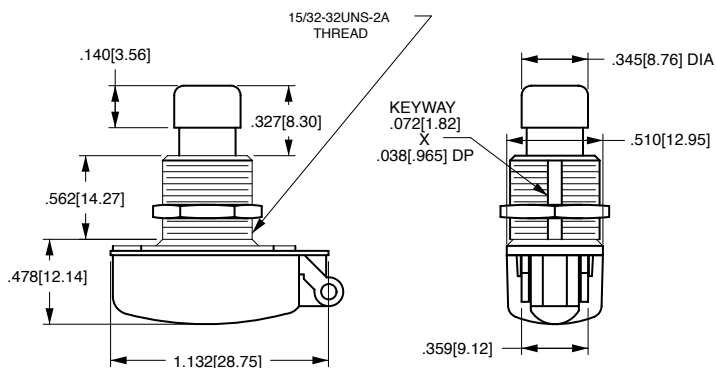
2	.312 length
4	.562 length

3 ACTUATOR STYLE ²

CBL	black plastic color cap
CRD	red plastic color cap

Notes:

- 1 Overtravel only available with #4 bushing.
 - 2 When selection 3 is left blank, a standard nickel plated plunger is supplied.
- () Indicates momentary function.



*Manufacturer reserves the right to change product specification without prior notice.

Authorized Sales Representatives and Distributors

Click on a region of the map below to find your local representatives and distributors or visit www.carlingtech.com/findarep.



About Carling

Founded in 1920, Carling Technologies is a leading manufacturer of electrical and electronic switches and assemblies, circuit breakers, electronic controls, power distribution units, and multiplexed power distribution systems. With four ISO registered manufacturing facilities and technical sales offices worldwide, Carling Technologies Sales, Service and Engineering teams do much more than manufacture electrical components, they engineer powerful solutions! To learn more about Carling please visit www.carlingtech.com/company-profile.

To view all of Carling's environmental, quality, health & safety certifications please visit www.carlingtech.com/environmental-certifications

Worldwide Headquarters

Carling Technologies, Inc.
60 Johnson Avenue, Plainville, CT 06062
Phone: 860.793.9281 **Fax:** 860.793.9231
Email: sales@carlingtech.com

Northern Region Sales Office: nrsm@carlingtech.com
Southeast Region Sales Office: sersm@carlingtech.com
Midwest Region Sales Office: mrsm@carlingtech.com
West Region Sales Office: wrsm@carlingtech.com
Latin America Sales Office: larsm@carlingtech.com

Asia-Pacific Headquarters

Carling Technologies, Asia-Pacific Ltd.,
Suite 1607, 16/F Tower 2, The Gateway,
Harbour City, 25 Canton Road,
Tsimshatsui, Kowloon, Hong Kong
Phone: Int + 852-2737-2277 **Fax:** Int + 852-2736-9332
Email: sales@carlingtech.com.hk

Shenzhen, China: shenzhen@carlingtech.com
Shanghai, China: shanghai@carlingtech.com
Pune, India: india@carlingtech.com
Kaohsiung, Taiwan: taiwan@carlingtech.com
Yokohama, Japan: japan@carlingtech.com

Europe | Middle East | Africa Headquarters

Carling Technologies LTD
4 Airport Business Park, Exeter Airport,
Clyst Honiton, Exeter, Devon, EX5 2UL, UK
Phone: Int + 44 1392.364422 **Fax:** Int + 44 1392.364477
Email: ltd.sales@carlingtech.com

Germany: gmbh@carlingtech.com
France: sas@carlingtech.com



Carling Technologies®

Innovative Designs. Powerful Solutions.

Mouser Electronics

Authorized Distributor

Click to View Pricing, Inventory, Delivery & Lifecycle Information:

Carling Technologies:

[116-P-CBL-4](#) [16-3APOFF-OV-4](#) [16-3POFF-CRD-2](#) [16-3APON-4](#) [116-AP-OV-4](#) [116-P-OV-4](#) [116-P-CGN-4](#) [116-P-2](#)
[16-3APOFF-CGN-4](#) [16-3PON-CBL-2](#) [16-3PON-CRD-2](#) [16-3PON-CRD-4](#) [116-P-CBL-2](#) [16-3APOFF-CBL-2](#) [16-](#)
[3APOFF-4/POLY](#) [16-3POFF-2/POLY](#) [16-3POFF-CWH-4](#) [16-3POFF-CGN-4](#) [16-3APOFF-OV-4-XFR1](#) [16-3APOFF-](#)
[CWH-4/14](#) [16-3APON-OV-XJW1](#) [16-3POFF-CBL-2/728-15946](#) [16-3APOFF-OV-4/12](#) [116-AP-CBL-4](#) [16-3PON-4](#) [16-](#)
[3AP-OFF-4/SLTD PLUNGER-XTH1](#) [16-3APON-4-XMC1](#) [16-3POFF-CRD-2/2 HEX](#) [16-3APOFF-2](#) [16-3PON-2](#) [16-](#)
[3PON-CBL-4/2 HEX](#) [16-3POFF-CBL-4](#) [16-3PON-CBL-4/POLY](#) [16-3POFF-2](#) [16-3POFF-CGN-2](#) [16-3POFF-CWH-](#)
[4/POLY](#) [16-3POFF-CYL 4/POLY](#) [16-3POFF-OV-4](#) [16-3PON-CRD-4/POLY](#) [16-3POFF-4/SLTD PLUNGER](#) [16-3POFF-](#)
[CYL-4](#) [16-3APOFF-CWH-4](#) [16-3POFF-CRD-4](#) [16-3APON-CBL-4](#) [16-3APON-CBL-2](#) [16-3POFF-4-XAM1](#) [16-3POFF-](#)
[CBL-2](#) [16-3POFF-CRD-4/POLY](#) [16-3AP-ON-4-XJS2](#) [116-P-4](#) [16-3PON-CBL-4](#) [16-3APOFF-CRD-2](#) [16-3AP-ON-OV-](#)
[XCO2](#) [16-3POFF-4](#) [16-3POFF-4/POLY](#) [16-3PON-4-XFA2](#) [16-3APOFF-4XAU1](#) [116-AP-4](#) [16-3APOFF-CRD-4](#) [16-](#)
[3AP-ON-OV-XFC1](#) [116-AP-CBL-2](#) [116-P-CRD-4](#) [16-3AP-OFF-4-XTK2](#) [116-P-CRD-2](#) [16-3POFF-2/KNURL](#)
[PLUNGER](#) [116-P-CRD-4/POLY](#) [16-3APOFF-4](#) [16-3APOFF-CBL-4](#) [16-3APOFF-CWH-2](#)