

# FLT-SEC-P-T1-440/35-P - Type 1 surge protection plug



2905989

<https://www.phoenixcontact.com/us/products/2905989>

Please be informed that the data shown in this PDF document is generated from our online catalog. Please find the complete data in the user documentation. Our general terms of use for downloads are valid.



Replacement plug for lightning current arresters from the FLASHTRAB SEC PLUS 440 product range, for L-N and L-PE paths.

## Your advantages

- Surge protection family for universal use with optimum energy coordination from the lightning current arrester to the device protection
- Easy to maintain due to consistently pluggable protection modules
- Excellent level of information provided by mechanical/visual status indicator and remote indication contact
- Optimum protective effect in the event of high-energy lightning currents, thanks to spark gap technology with low residual voltage characteristic
- Maximum performance in a minimum amount of space: compact design with high discharge capacity at high nominal voltage

## Commercial data

Item number	2905989
Packing unit	1 pc
Minimum order quantity	1 pc
Sales key	CL01
Product key	CL1172
Catalog page	Page 35 (C-4-2019)
GTIN	4055626013282
Weight per piece (including packing)	267.3 g
Weight per piece (excluding packing)	241.75 g
Customs tariff number	85363030
Country of origin	DE

# FLT-SEC-P-T1-440/35-P - Type 1 surge protection plug

2905989

<https://www.phoenixcontact.com/us/products/2905989>

## Technical data

### Product properties

Product type	Replacement plug
Product family	SEC Family
IEC test classification	I / II T1 / T2
EN type	T1 / T2
IEC power supply system	TN IT
Type	Male
Number of positions	1
Surge protection fault message	optical

### Data management status

Article revision	05
------------------	----

### Insulation characteristics

Overvoltage category	III
Pollution degree	2

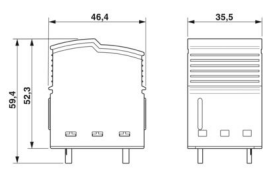
### Electrical properties

Nominal frequency $f_N$	50 Hz (60 Hz)
-------------------------	---------------

### Connection data

Connection method	pluggable
-------------------	-----------

### Dimensions

Dimensional drawing	
Width	35.5 mm
Height	46.6 mm
Depth	59.4 mm
Horizontal pitch	2 Div.

### Material specifications

Color	light gray (RAL 7035)
Flammability rating according to UL 94	V-0
CTI value of material	600
Insulating material	PA6.6-FR 20% GF PBT-FR

# FLT-SEC-P-T1-440/35-P - Type 1 surge protection plug



2905989

<https://www.phoenixcontact.com/us/products/2905989>

Material group	I
Housing material	PA 6.6-FR 20 % GF PBT-FR

## Protective circuit

Mode of protection	L-N
	L-PE
	L-PEN
	N-PE (4+0)
Direction of action	L-N / L-PEN
Nominal voltage $U_N$	400 V AC (TN)
	400 V AC (IT)
Nominal frequency $f_N$	50 Hz (60 Hz)
Maximum continuous voltage $U_C$	440 V AC
Residual current $I_{PE}$	< 5 $\mu$ A
Nominal discharge current $I_n$ (8/20) $\mu$ s	35 kA
Maximum discharge current $I_{max}$ (8/20) $\mu$ s	50 kA
Impulse discharge current (10/350) $\mu$ s, charge	17.5 As
Impulse discharge current (10/350) $\mu$ s, specific energy	310 kJ/ $\Omega$
Impulse discharge current (10/350) $\mu$ s, peak value $I_{imp}$	35 kA
Follow current interrupt rating $I_{fi}$	50 kA
Short-circuit current rating $I_{SCCR}$	50 kA
Voltage protection level $U_p$	$\leq$ 2.5 kV
Residual voltage $U_{res}$	$\leq$ 2.5 kV (at $I_n$ )
TOV behavior at $U_T$	580 V AC (5 s / withstand mode)
	800 V AC (120 min / withstand mode)
	1640 V AC (200 ms / safe failure mode)
Response time $t_A$	$\leq$ 100 ns
Max. backup fuse with branch wiring	400 A (gG)

## Environmental and real-life conditions

### Ambient conditions

Degree of protection	IP20
Ambient temperature (operation)	-40 °C ... 80 °C
Ambient temperature (storage/transport)	-40 °C ... 80 °C
Altitude	$\leq$ 2000 m (amsl)
Permissible humidity (operation)	5 % ... 95 %
Shock (operation)	30g (Half-sine / 11 ms / 3x $\pm$ X, $\pm$ Y, $\pm$ Z)
Vibration (operation)	5g (5 - 500 Hz/2.5 h/X, Y, Z)

## Approvals

### UL specifications

Maximum continuous operating voltage MCOV	440 V AC
---	----------

# FLT-SEC-P-T1-440/35-P - Type 1 surge protection plug



2905989

<https://www.phoenixcontact.com/us/products/2905989>

Short-circuit current rating (SCCR)	25 kA
Voltage protection rating VPR	1800 V
Nominal discharge current $I_n$	20 kA
Mode of protection	L-N
	L-G
Nominal voltage	400 V AC
Power distribution system	Single phase
Nominal frequency	50/60 Hz
SPD Type	1CA

## Standards and regulations

Standards/specifications	IEC 61643-11
Note	2011

### EN 61643-11

Standards/specifications	EN 61643-11
Note	2012

## Mounting

Mounting type	on base element
Thread type	()

# FLT-SEC-P-T1-440/35-P - Type 1 surge protection plug

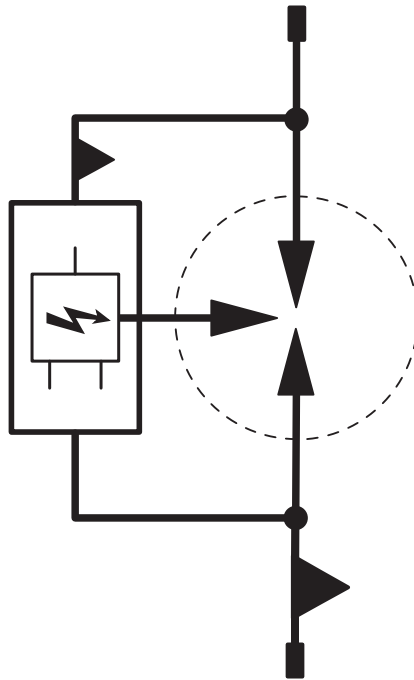


2905989

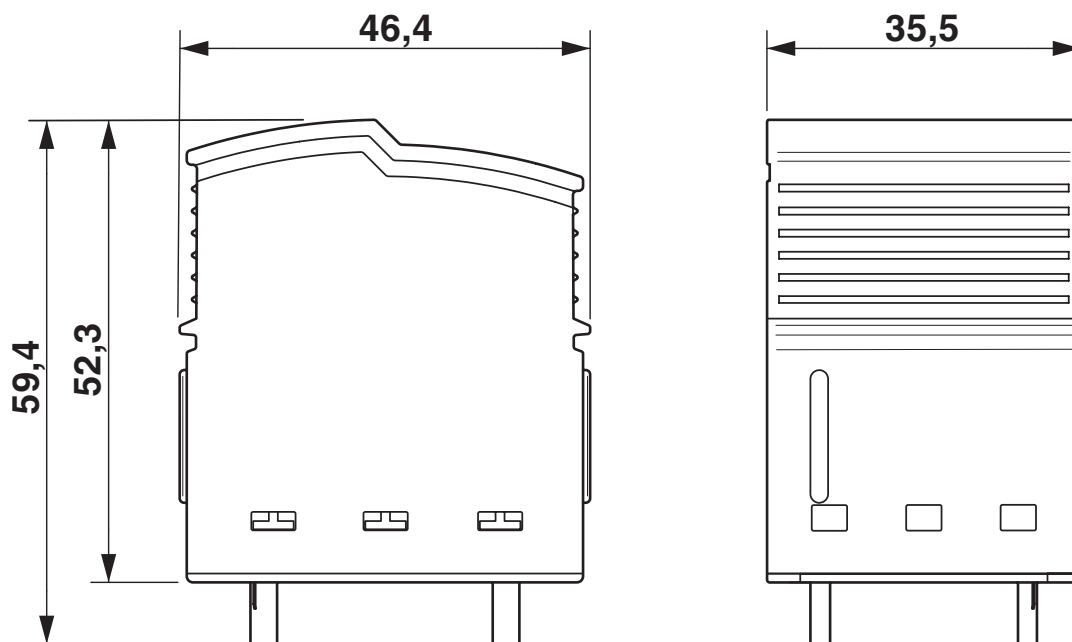
<https://www.phoenixcontact.com/us/products/2905989>

## Drawings

Circuit diagram



Dimensional drawing



# FLT-SEC-P-T1-440/35-P - Type 1 surge protection plug



2905989

<https://www.phoenixcontact.com/us/products/2905989>

## Approvals

To download certificates, visit the product detail page: <https://www.phoenixcontact.com/us/products/2905989>



**cUL Recognized**

Approval ID: FILE E 330181



**UL Recognized**

Approval ID: FILE E 330181



**IECEE CB Scheme**

Approval ID: NL-40634



**EAC**

Approval ID: RU C-DE.\*09.B.00169

**CCA**

Approval ID: NTR-NL 7480



**KEMA-KEUR**

Approval ID: 2188430.01

**UAE-RoHS**

Approval ID: 23-10-88709

**cULus Recognized**

# FLT-SEC-P-T1-440/35-P - Type 1 surge protection plug



2905989

<https://www.phoenixcontact.com/us/products/2905989>

## Classifications

### ECLASS

ECLASS-11.0	27130890
ECLASS-13.0	27171292

### ETIM

ETIM 9.0	EC002496
----------	----------

### UNSPSC

UNSPSC 21.0	39121600
-------------	----------

# FLT-SEC-P-T1-440/35-P - Type 1 surge protection plug



2905989

<https://www.phoenixcontact.com/us/products/2905989>

## Environmental product compliance

### EU RoHS

Fulfills EU RoHS substance requirements	Yes, No exemptions
---	--------------------

### China RoHS

Environment friendly use period (EFUP)	EFUP-E
	No hazardous substances above the limits

### EU REACH SVHC

REACH candidate substance (CAS No.)	N,N-dimethylacetamide(CAS: 127-19-5)
SCIP	04193ae2-42b9-458e-873a-792597e17eb6



# FLT-SEC-P-T1-440/35-P - Type 1 surge protection plug



2905989

<https://www.phoenixcontact.com/us/products/2905989>

## Accessories

### EML (20XE)R - Label

0803452

<https://www.phoenixcontact.com/us/products/0803452>



Label, Roll, white, unlabeled, can be labeled with: THERMOMARK E.300 (D)/600 (D), THERMOMARK ROLL 2.0, THERMOMARK ROLL, THERMOMARK ROLL X1, THERMOMARK ROLLMASTER 300/600, THERMOMARK X1.2, mounting type: adhesive, lettering field size: continuous x 20 mm, Number of individual labels: 1

---

### EML (20XE)R YE - Label

0803453

<https://www.phoenixcontact.com/us/products/0803453>



Label, Roll, yellow, unlabeled, can be labeled with: THERMOMARK E.300 (D)/600 (D), THERMOMARK ROLL 2.0, THERMOMARK ROLL, THERMOMARK ROLL X1, THERMOMARK ROLLMASTER 300/600, THERMOMARK X1.2, mounting type: adhesive, lettering field size: continuous x 20 mm, Number of individual labels: 1

# FLT-SEC-P-T1-440/35-P - Type 1 surge protection plug



2905989

<https://www.phoenixcontact.com/us/products/2905989>

## X-PEN 0,35 - Marker pen

0811228

<https://www.phoenixcontact.com/us/products/0811228>



Marker pen without ink cartridge, for manual labeling of markers, labeling extremely wipe-proof, line thickness 0.35 mm

---

Phoenix Contact 2024 © - all rights reserved

<https://www.phoenixcontact.com>

Phoenix Contact USA  
586 Fulling Mill Road  
Middletown, PA 17057, United States  
(+717) 944-1300  
[info@phoenixcon.com](mailto:info@phoenixcon.com)