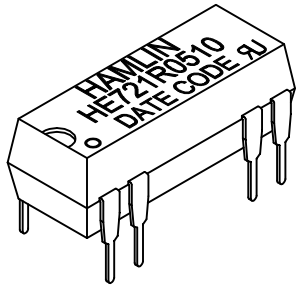


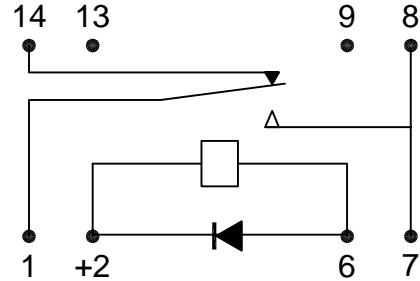
SYSTEM NO.  
35803

HE721R0510

DRAWING NO.  
P872150510



SCHEMATIC (TOP VIEW)



CHARACTERISTICS

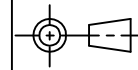
**OPERATING TEMPERATURE** -40 TO +85°C  
**STORAGE TEMPERATURE** -40 TO +105°C  
**VIBRATION RESISTANCE, 10-2000 Hz** 20 G'S MAXIMUM  
**SHOCK RESISTANCE, 11 ms, 1/2 SINE** 50 G'S MAXIMUM

**INSULATION RESISTANCE**  
 ACROSS OPEN CONTACTS 10<sup>9</sup> Ω MINIMUM  
 BETWEEN ISOLATED PINS 10<sup>10</sup> Ω MINIMUM

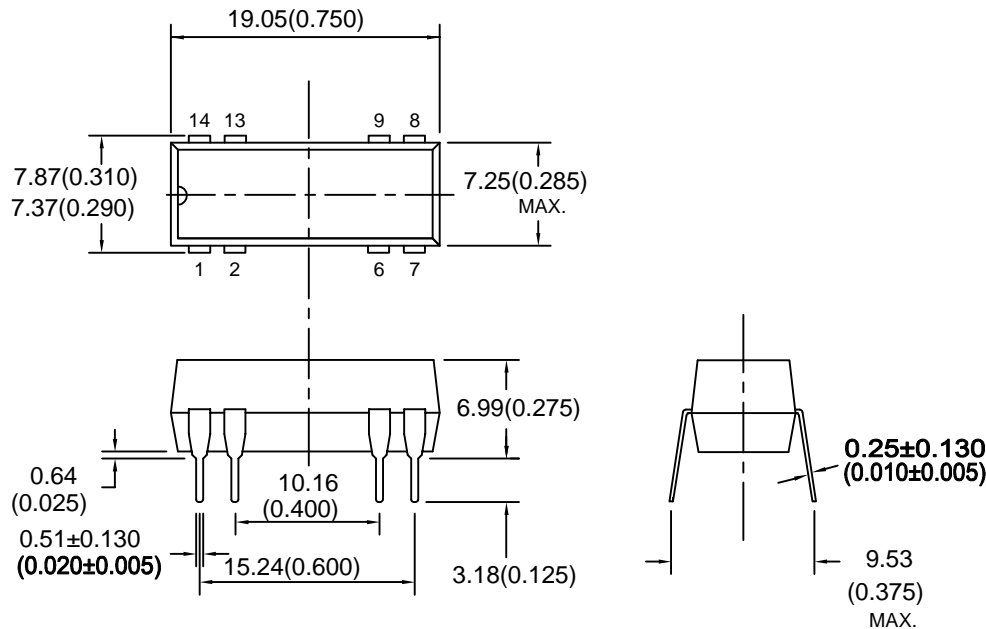
**VOLTAGE HOLD-OFF**  
 ACROSS OPEN CONTACTS 200 Vdc MINIMUM  
 COIL TO CONTACTS 500 Vac MINIMUM  
 BETWEEN ISOLATED PINS 500 Vac MINIMUM  
 COIL TO E.S. --- Vac MINIMUM

**CONTACT**  
 POWER, SWITCHING 5 WATTS MAXIMUM  
 VOLTAGE, SWITCHING 175 Vdc MAXIMUM  
 CURRENT, SWITCHING 0.25 AMPERES MAXIMUM  
 CURRENT, CARRY 1.5 AMPERES MAXIMUM  
 CONTACT RESISTANCE 0.200 Ω MAXIMUM  
 OPERATE TIME, INCLUDING BOUNCE 3.0 ms MAXIMUM  
 RELEASE TIME, DIODE SUPPRESSED 3.0 ms MAXIMUM

**COIL CHARACTERISTICS AT 25°C**  
 NOMINAL COIL VOLTAGE 5 Vdc  
 COIL RESISTANCE ±10% 200 Ω  
 MUST OPERATE VOLTAGE 3.75 Vdc  
 MUST RELEASE VOLTAGE 0.5 Vdc  
 MAXIMUM COIL VOLTAGE 14 Vdc



DIMENSIONS



**ALL DIMENSIONS ±0.38 (0.015) UNLESS OTHERWISE STATED**

DATE CODE: 4 DIGITS  
 XXXX  
 FIRST TWO ARE: THE TWO LAST DIGITS OF THE YEAR  
 SECOND TWO ARE: THE TWO DIGITS OF THE WEEK OF THE CURRENT YEAR.

ORIGINAL DCR NO.  
L0278  
 DRAWN BY: CRJ  
 DATE: 3/24/04  
 APP'D BY: CRJ  
 DATE: 3/24/04



PROPRIETARY NOTE: THE INFORMATION ON THIS DRAWING IS THE CONFIDENTIAL PROPERTY OF HAMLIN. THIS DRAWING MUST NOT BE MADE PUBLIC OR COPIED UNLESS AUTHORIZED IN WRITING BY HAMLIN. THIS DRAWING IS SUBJECT TO RETURN UPON DEMAND.

DESCRIPTION OF REVISION: NEW DRAWING

|                 |                  |            |
|-----------------|------------------|------------|
| SHEET<br>1 of 1 | DCR NO.<br>L0278 | REV.<br>AA |
| DRAWN BY:       | DATE:            |            |
| APP'D BY:       | DATE:            |            |