

DEUTSCH Wildcat 38999 Connectors

Higher Contact Densities in a Familiar
MIL-DTL-38999 Form Factor

Wildcat 38999 Connectors

High Reliability and High Contact Density



Combine high reliability and high contact density in a familiar MIL-DTL-38999 format with Wildcat 38999 connectors. With higher contact density than mil-spec high-density inserts and nearly double the contact density of standard inserts, Wildcat 38999 connectors offer extreme temperature, vibration, and corrosion resistance, and durability of 500+ mating cycles in a space-saving design.

The easy-grip coupling ring and triple-start thread make mating and unmating fast and simple.

A variety of material and plating options means versatile choices to match the demands of your application.

SPACE AND WEIGHT SAVINGS

- Almost double the contact density of MIL-DTL-38999 connectors
- Lightweight materials

RUGGED

- Threaded anti-vibration coupling
- Scoop-proof interface
- Aggressive fluid resistance and dust ingress prevention

RELIABLE

- Fully sealed cable and mating interface
- EMI screening as per MIL-DTL-38999 Series III
- RFI mating interface band

VERSATILE

- Multiple keying options
- Various plating and material options
- Backshell or cable braid/boot rear feature that eliminates need for backshell
- Rear-removable crimp and PCB contacts (consult TE for PCB details)

Performance Characteristics

ELECTRICAL

- **Dielectric Withstand Voltage:** 1000 VAC
- **Current Rating:** 3 amps/contact

ENVIRONMENTAL

- **Temperature:**
 - 65°C to +175°C (cadmium)
 - 65°C to +200°C (nickel)
- **Durability:** 500 mating cycles min.
- **Vibration:** MIL-DTL-38999 Series III
- **Thermal Shock:** MIL-DTL-38999 Series III
- **Shock:** 300 g, 3 ms in 3 axes
- **Fluid resistance:** Withstands a wide range of military and aerospace fluids
- **Salt spray resistance:**
 - 500 hours (cadmium finish) per MIL-STD-1344 Method 100 B and NFC93422.
 - 48 hours (nickel finish)
- **Sealing:** Up to 30,000 m/100,000 ft. altitude

MATERIALS

- **Shell and Coupling Ring:** Aerospace grade aluminum alloy as standard
- **Plating:** Olive drab cadmium, RoHS electroless nickel, black zinc nickel (other finishes available on request)
- **Seals:** Fluorinated silicone
- **Insulators:** High-performance thermoplastic
- **Contacts:** Gold-plated machined copper alloy
- **Wire Size:** 28 to 24 AWG

TE Components . . . TE Technology . . . TE Know-how . . .

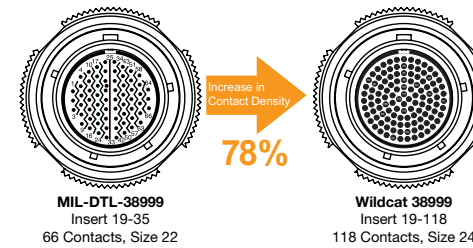
AMP | AGASTAT | CII | HARTMAN | KILOVAC | MICRODOT | NANONICS | POLAMCO | Raychem
SEACON | Rochester | DEUTSCH

Empower Engineers to Solve Problems, Moving the World Forward.

DEUTSCH Wildcat 38999 Connectors

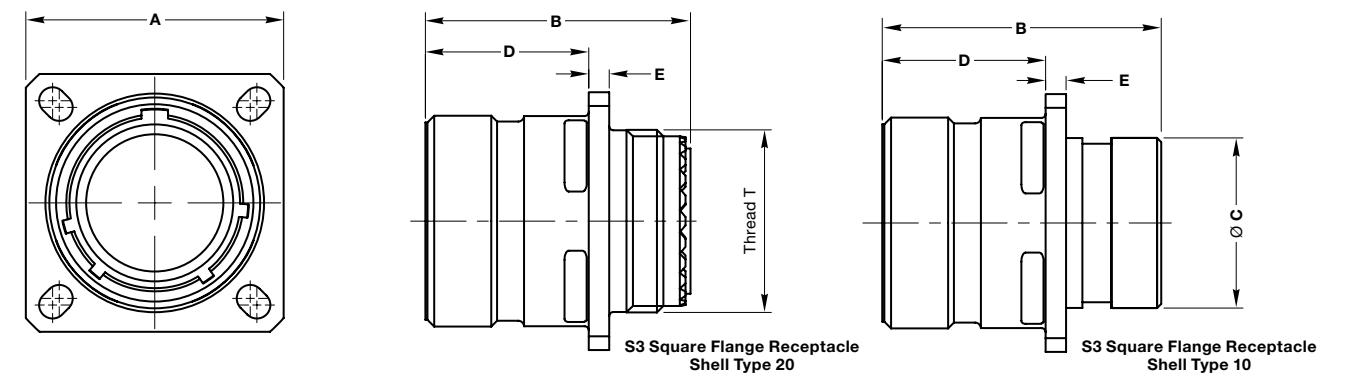


Wildcat 38999 Connectors



MIL-DTL-38999		DEUTSCH Wildcat 38999			
Standard Density Size 22D Contacts		High Density Size 23 Contacts		High Density Size 24 Contacts	
Insert	No. of Contacts	Insert	No. of Contacts	Insert	No. of Contacts
9-35	6	9-23	9	09-11	11
11-35	13	11-23	19	11-23	23
13-35	22	13-23	32	13-41	41
15-35	37	15-23	55	15-64	64
19-35	66	19-23	88	19-118	118

Square Flange Receptacle: Shell Type 0



Square Flange Receptacle with Accessory Thread

Shell Size	A Max.	B Max.	D Max.	E Max.	Thread 'T'
09	24.00 (.945)				M12 x 1.0-6g
11	26.40 (1.039)	31.55 (1.242)	19.90 (.783)	2.50 (.098)	M15 x 1.0-6g
13	28.90 (1.138)				M18 x 1.0-6g
15	31.30 (1.232)				M22 x 1.0-6g

Consult TE for further information on 19-118 connectors

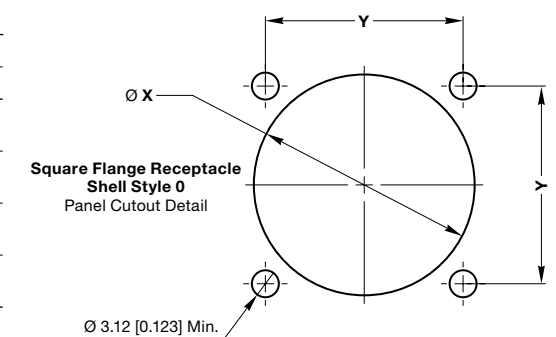
Square Flange Receptacle with Knurled Rear

Shell Size	A Max.	B Max.	C Max.	D Max.	E Max.
09	24.00 (.945)		11.30 (.445)		
11	26.40 (1.039)	33.80 (1.331)	14.35 (.565)	19.90 (.783)	2.50 (.098)
13	28.90 (1.138)		17.50 (.689)		
15	31.30 (1.232)		20.65 (.813)		

Consult TE for further information on 19-118 connectors

Square Flange Receptacle Panel Cutouts

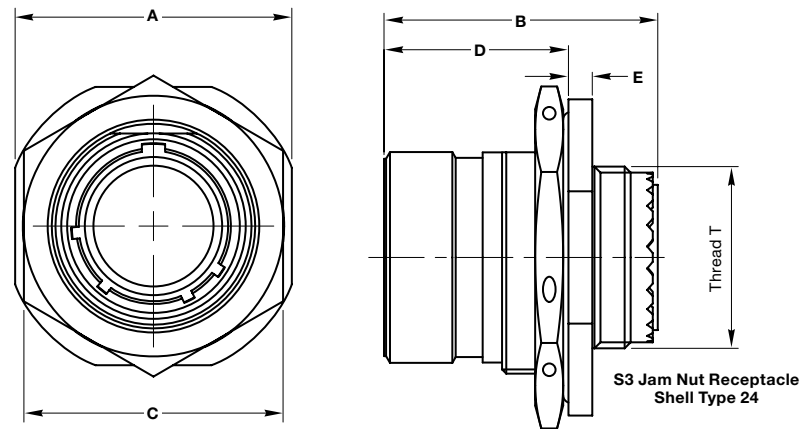
Shell Size	ØX		Y	
	Front Mount	Rear Mount	Max.	Min.
09	13.11 (.516)	16.66 (.656)	18.26 (.719)	15.09 (.594)
11	15.08 (.594)	22.22 (.875)	20.26 (.798)	18.26 (.719)
13	19.05 (.750)	23.42 (.922)	23.01 (.906)	20.62 (.812)
15	23.01 (.906)	26.59 (1.047)	24.61 (.969)	23.01 (.906)





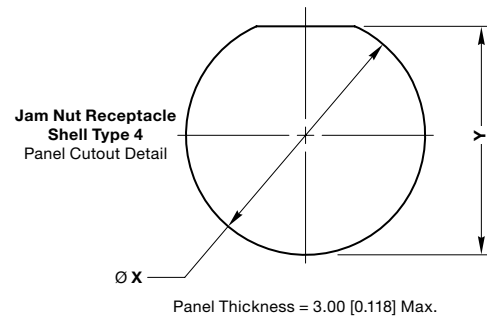
Wildcat 38999 Connectors

Jam Nut Receptacle: Shell Type 4



Shell Size	A Max.	B Max.	C Max.	D Max.	E Max.	Thread 'T'
09	27.20 (1.071)		23.25 (.915)			M12x1.0-6g
11	32.00 (1.260)	32.55 (1.281)	26.30 (1.035)	22.40 (.882)	2.95 (.116)	M15x1.0-6g
13	35.10 (1.382)		32.00 (1.260)			M18x1.0-6g
15	38.30 (1.508)		36.00 (1.417)			M22x1.0-6g

Consult TE for further information on 19-118 connectors



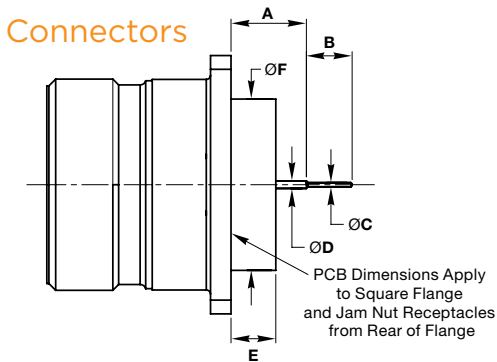
Jam Nut Receptacle Panel Cutouts

Shell Size	ØX (±.01)	Y (±.01)
09	17.80 (.700)	16.89 (0.665)
11	20.98 (.826)	19.43 (.765)
13	25.68 (1.011)	24.16 (.951)
15	28.90 (1.138)	27.43 (1.080)



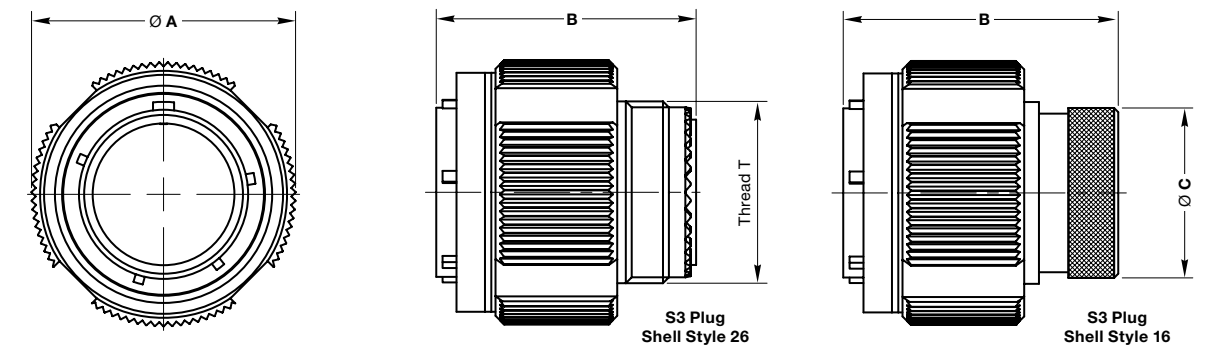
Wildcat 38999 Connectors

PCB Tail Dimensions



Layout	Part No. Option Code	Shell Accessory	Part No.		A		B Max.	ØC Max.	ØD Max.	E Max.	ØF Max.	
			Pins	Sockets	Max.	Min.					Shell Size	SØ Max.
	-151	W320	611624-31	611625	11.73 (.462)	10.73 (.422)	5.55 (.219)	.60 (.024)	1.00 (.039)	5.74 (.226)	09	11.07 (.436)
09-11 11-23 13-41	-151	W324	611556-31	611627	9.73 (.383)	8.73 (.344)	5.55 (.219)	.60 (.024)	1.00 (.039)	5.74 (.226)	11	14.33 (.564)
15-64 19-118	-151	W330	Potted	Potted	9.73 (.383)	8.73 (.344)	5.55 (.219)	.60 (.024)	1.00 (.039)	5.74 (.226)	13	17.42 (.686)
	-151	W334	Potted	Potted	6.73 (.265)	5.73 (.226)	5.55 (.219)	.60 (.024)	1.00 (.039)	5.74 (.226)	15	20.57 (.810)

Free Plug: Shell Type 6



Plug with Accessory Thread

Shell Size	ØA Max.	B Max.	Thread 'T'
09	21.30 (.839)		M12x1.0-6g
11	23.75 (.935)	31.10 (1.224)	M15x1.0-6g
13	29.10 (1.146)		M18x1.0-6g
15	32.30 (1.272)		M22x1.0-6g

Consult TE for further information on 19-118 connectors

Plug with Knurled Rear

Shell Size	ØA Max.	B Max.	ØC Max.
09	21.30 (.839)		11.30 (.445)
11	23.75 (.935)	33.30 (1.311)	14.35 (.565)
13	29.10 (1.146)		17.50 (.689)
15	32.30 (1.272)		27.00 (1.063)

Consult TE for further information on 19-118 connectors

CONTACTS

Pin	Socket	Contact	Current Rating	Wire Size (AWG)	Conductor		Wire Sealing Range	
					Min. Ø	Max. Ø	Min. Ø	Max. Ø
605719-31	605721	3 A	24-28	.254 (.010)	.511 (.020)	.600 (.024)	.96 (.038)	

Filler Plug: Part No. 800300-24

TOOLING

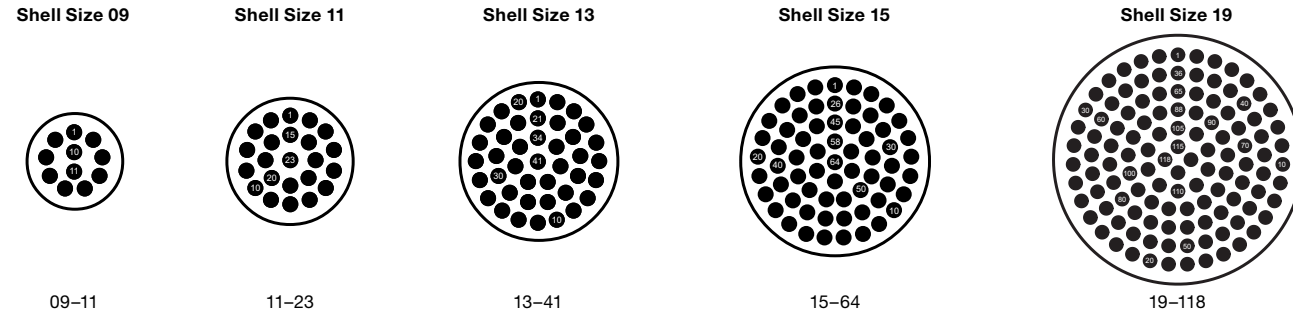
Ins/Ext Tool	Crimp Tool	Positioner	
		Pin	Socket
605837	M22520/ 2-01	610286	610287



Wildcat 38999 Connectors

Contact Arrangement

(Viewed from the mating face of a connector with male (pin) contacts)



ACCESSORIES

Protective Caps and Backshells

Wildcat 38999 connectors are compatible with MIL-DTL-38999 Series III type backshells and procaps or equivalent.

Raychem Heat-Shrink Boots

Shell Size	Straight Boot	90° Boot
09	202K121	222K121
11	202K132	222K132
13	202K142	222K142
15	202K142	222K142
19	202K153	222K153

CRES-Lock Bandstraps



Easy to Use

- Quick, easy, cost-effective and reliable termination of braided shielding

High Performance

- Low profile, one-piece design helps eliminate EMI leakage paths

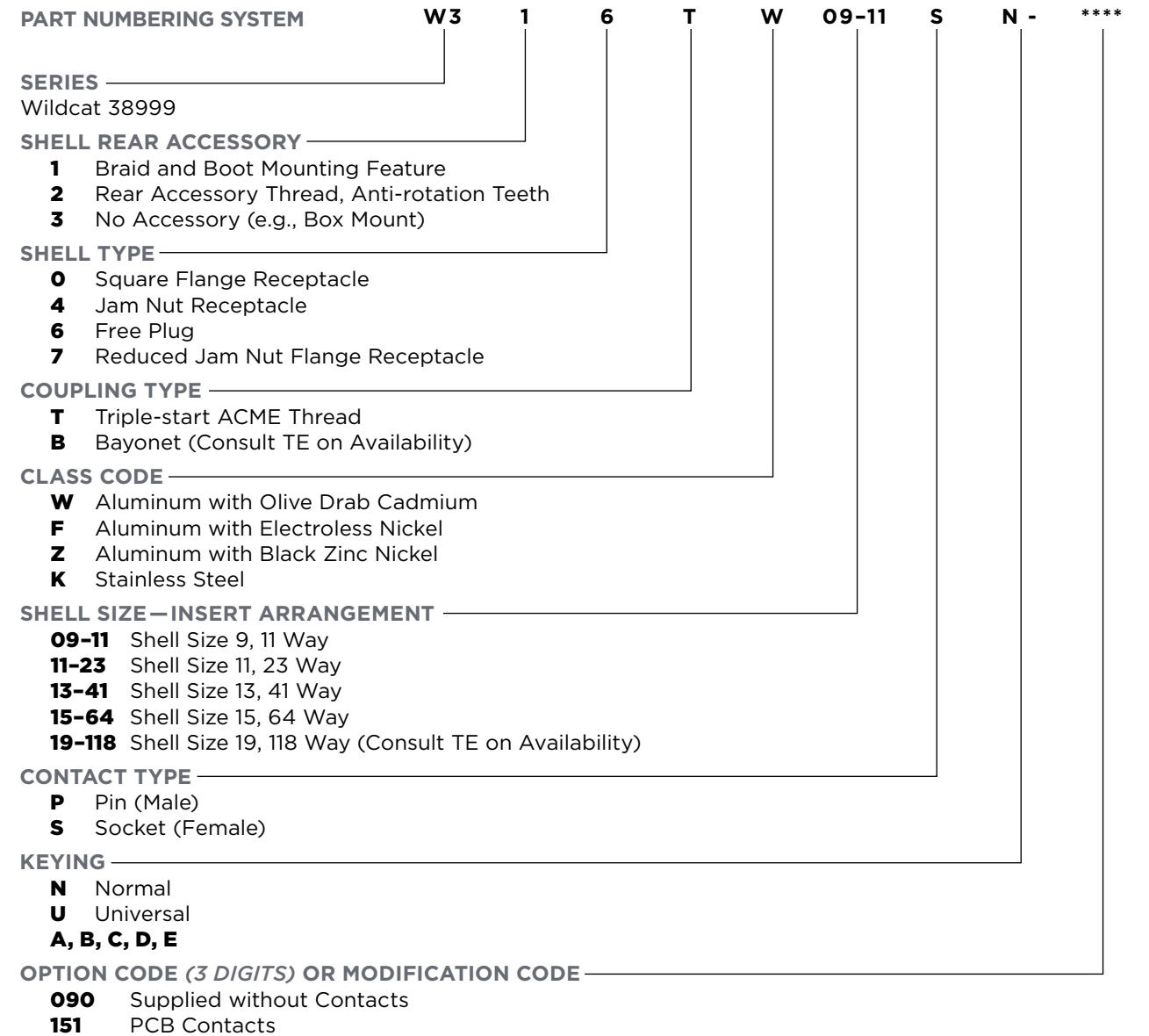
Rugged

- Shock, vibration and environmental performance to meet aerospace and defense requirements



Wildcat 38999 Connectors

ORDERING INFORMATION



LET'S CONNECT

We make it easy to connect with our experts and are ready to provide all the support you need. Just call your local support number or visit www.te.com/industrial to chat with a Product Information Specialist.

Technical Support

te.com/support-center

North America	+1 800 522 6752	Asia Pacific	+86 400 820 6015
North America (Toll)	+1 717 986 7777	Japan	+81 044 844 8180
EMEA/South Africa	+800 0440 5100	Australia	+61 2 9554 2695
EMEA (Toll)	+31 73 624 6999	New Zealand	+64 (0) 9 634 4580
India (Toll-Free)	+800 440 5100		

te.com/wildcat

AMP, AGASTAT, CII, DEUTSCH, HARTMAN, KILOVAC, MICRODOT, NANONICS, POLAMCO, Raychem, Rochester, SEACON, TE, TE Connectivity and the TE connectivity (logo) are trademarks of the TE Connectivity Ltd. family of companies. Other products, logos, and company names mentioned herein may be trademarks of their respective owners.

While TE Connectivity (TE) has made every reasonable effort to ensure the accuracy of the information herein, nothing herein constitutes any guarantee that such information is error-free, or any other representation, warranty or guarantee that the information is accurate, correct, reliable or current. The TE entity issuing this publication reserves the right to make any adjustments to the information contained herein at any time without notice. All implied warranties regarding the information contained herein, including, but not limited to, any implied warranties of merchantability or fitness for a particular purpose are expressly disclaimed. The dimensions herein are for reference purposes only and are subject to change without notice. Specifications are subject to change without notice.

Consult TE for the latest dimensions and design specifications.

© 2019 TE Connectivity Ltd. family of companies All Rights Reserved.

1-1773889-6 07/19